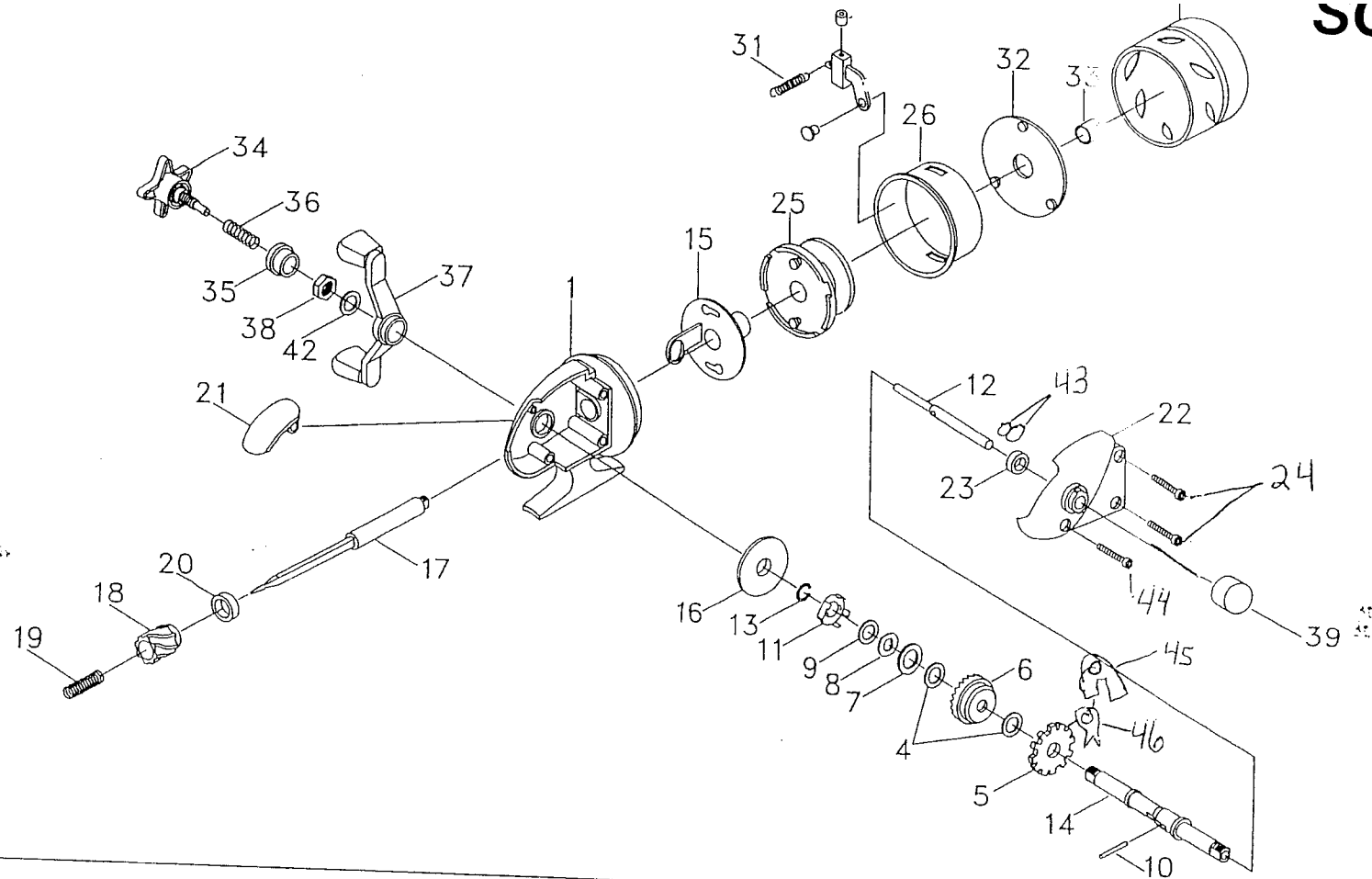


SC400



C. PART NAME

SC400

FRAME 1068106
 FRICTION WASHER 1066416
 RATCHET 1066417
 DRIVE GEAR 1066418
 DRAG WASHER 1066419
 SPRING DRAG WASHER 1066420
 DRAG PIN WASHER 1066421
 DRAG PIN 1066422
 CLICK WASHER 1066423
 DRAG SHAFT 1066424
 RETAINING RING 1066425
 GEAR SHAFT 1066426

15	OSCILLATION CONNECTOR	1066427
16	CAM	1066428
17	MAIN SHAFT	1066429
18	PINION	1066430
19	SPRING	1066431
20	BALL BEARING	1066432
21	THUMB LEVER	1068107
22	COVER PLATE	1068108
23	BUSHING	1066435
24	SCREW	1066436
25	SPOOL	1066437
26	PICK-UP HOUSING	1066438
31	PIN SPRING	1066443
32	PINCH RING	1066444
33	PICK-UP HOUSING NUT	1066445
34	DRAG STAR	1068139
35	CLICK SLEEVE	1066448
36	STAR SPRING	1066449
37	CRANK ARM	1068140
38	NUT	1066451
39	END CAP	1068141
40	FRONT CONE	1068142
42	TENSION WASHER	1066457

43-shim - 1078664
 44-screw - 1078665
 45-A/R Actuator - 1078666
 46-A/R Pawl - 1078667

LIMITED WARRANTY

Pure Fishing warrants to the original purchaser that its fish free from defects in materials or workmanship for a period from the date of purchase. The reel must be returned post and with proof of purchase to: Pure Fishing Reel Service 1900 18th Street, Spirit Lake, Iowa 51360. If inspection reveals material or workmanship, we shall at our option either repair without charge. We are not responsible for normal wear or defects caused by accident, abuse, alterations, misuse or in Warranty shall not apply to reels used commercially. **THE OTHER EXPRESS WARRANTIES BEYOND THE TERMS OF ED WARRANTY IN NO EVENT SHALL ANY IMPLIED WARRANTY INCLUDING MERCHANTABILITY AND FITNESS FOR A PARTICULAR PURPOSE, EXTEND BEYOND THE DURATION OF THE WARRANTY CONTAINED HEREIN. IN NO EVENT SHALL PURE FISHING BE LIABLE FOR INCIDENTAL OR CONSEQUENTIAL DAMAGES.** Pure Fishing states do not allow limitations on how long an implied warranty the exclusion or limitation of incidental or consequential damages above limitations or exclusions may not apply to you. This warranty varies from state to state.

The part numbers shown on this drawing and parts list are available to order. To order a part, contact the Pure Fishing reel service department at 1-877-508-3474. Should you require a part that does not have an item/part number assigned to it, please send your reel to the address listed below for service.

Pure Fishing Reel Service Department
 1900 18th Street
 Spirit Lake, Iowa 51360