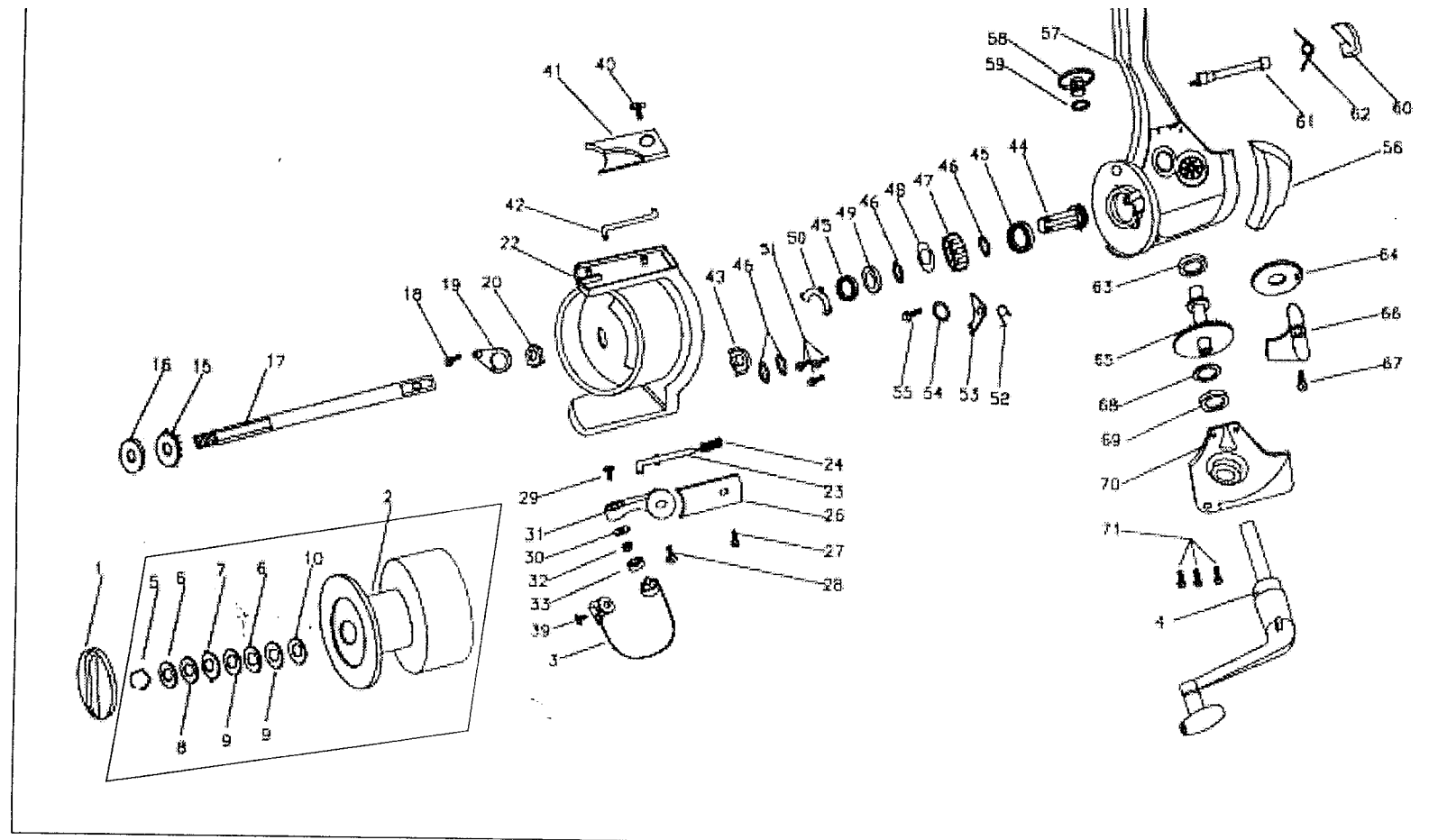


Model	Champion 20
Bearings	4 (3 + IAR)
Gear Ratio	4.8:1
Line Capacity	10 lb./155 yd. 0.30mm/140M
Anti-Reverse	IAR
Reel Wt.	9.1 Oz. 258 Grams



No.	Part Name	MC20	No.	Part Name	MC20	No.	Part Name	MC20
1	Drag Knob	1071899	22	Rotor	1071903	45	Pinion Two Ball Bearings	1071168
2	Spool Complete includes items (5-10)	1071900	23	Bail Arm Spring Shaft	1071121	46	Clutch BB Washer	1071179
3	Bail Wire Assy	1071901	24	Bail Arm Spring	1071122	47	Clutch BB Assy	1071180
4	Handle Assy	1071902	26	Bail Arm Cover	1071904	48	Clutch BB washer Teflon	1071181
5	Spool Retaining Ring	1071108	27	Bail Arm Cover Screw	1071124	49	Clutch BB Support	1071182
6	Drag Washer (metal)	1071109	28	Arm Lever Screw	1071125	50	Clutch BB Cover	1071183
7	Drag Washer (ear)	1071110	29	Roller Screw	1071126	51	Ball Bearing Screw	1071184
8	Front Drag Washer	1071111	30	Roller Washer Metal washer Teflon	1071127	52	A/R Plate Spring	1071185
9	Drag Washer (2)	1071112	31	Arm Lever	1071905	53	A/R Plate	1071186
10	Back Drag Washer	1071113	32	Roller Bushin	1071160	54	A/R Plate Washer	1071187
15	Main Shaft Gear	1071114	33	Roller	1071161	55	A/R Plate Screw	1071188
16	Main Shaft Washer	1071115	39	Bail Arm Screw	1071162	56	Rear Cover	1071907
17	Main Shaft	1071116	40	Weight Cover Screw	1071163	57	Main Body	1071908
18	Retained Plate Screw	1071117	41	Weight Cover	1071906	58	Handle Nut	1071909
19	Retained Plate	1071118	42	Bail Trip Lever	1071165	59	Handle Retriever Wash.	1071192
20	Hex Nut	1071119	43	Rotor Guide	1071166			
			44	Pinion Gear	1071167			

PURE FISHING
 Pure Fishing
 1900 18th Street
 Spirit Lake, IA 51360-1099
 purefishing.com

PRINTED IN CHINA