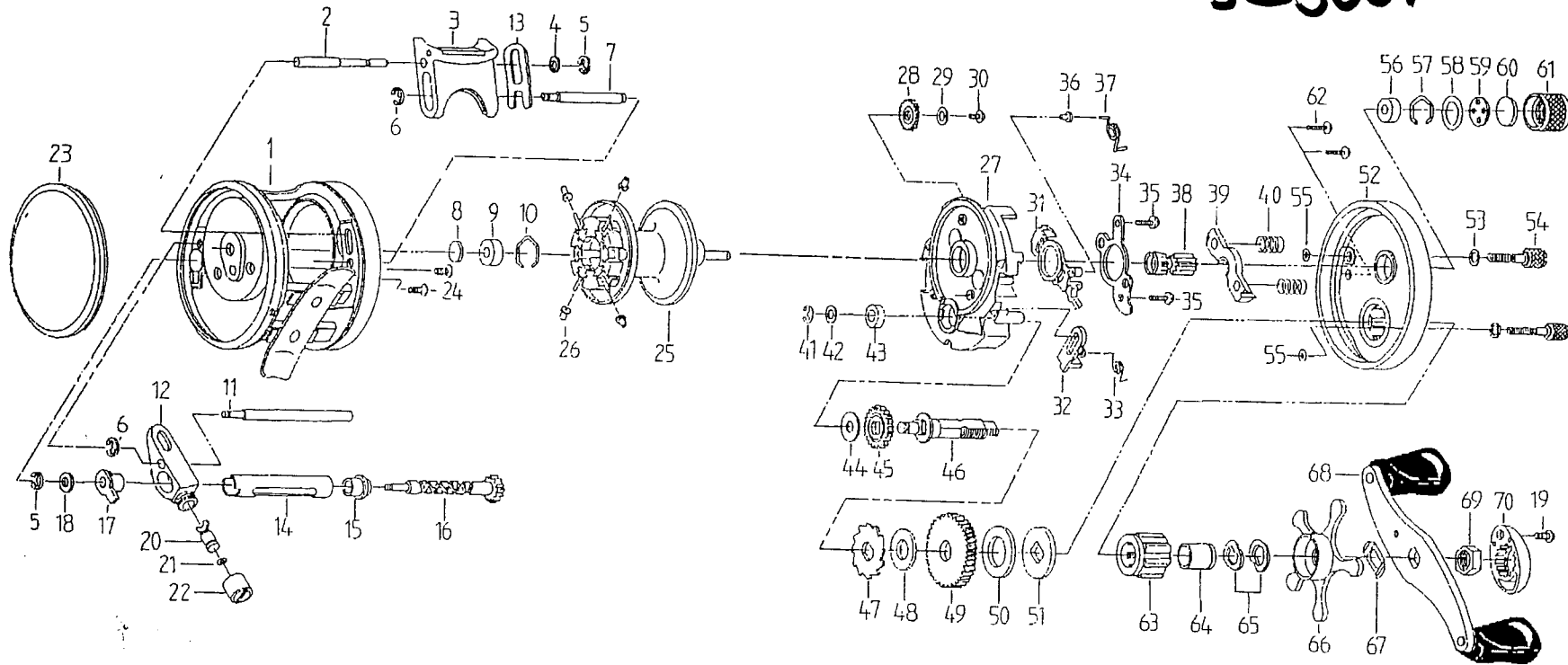


# SC300P



| DESCRIPTION         | SC300P  |                              |         |                          |         |                                     |         |
|---------------------|---------|------------------------------|---------|--------------------------|---------|-------------------------------------|---------|
| 1 FRAME             | 8889055 | 21 LEVEL WIND WASHER         | 8889074 | 41 E-CLIP                | 8889096 | 62 RIGHT SIDE COVER SCREW (2 req'd) | 8889120 |
| 2 THUMB BAR PIN     | 8889056 | 22 LEVEL WIND COVER          | 8889075 | 42 CRANK SHAFT WASHER    | 8889097 | 63 ONE WAY BEARING                  | 8889121 |
| 3 THUMB BAR         | 8889057 | 23 LEFT SIDE COVER           | 8889076 | 43 CRANK SHAFT BUSHING   | 8889098 | 64 BEARING SLEEVE                   | 8889122 |
| 4 WASHER            | 8889058 | 24 LEFT SIDE COVER SCREW     | 8889078 | 44 WASHER                | 8889100 | 65 DRAG SPRING WASHER (2 req'd)     | 8889123 |
| 5 E-CLIP (2 req'd)  | 8889059 | (2 req'd)                    | 8889078 | 45 GEAR                  | 8889101 | 66 STAR DRAG                        | 8889124 |
| 6 E-CLIP (2 req'd)  | 8889060 | 25 SPOOL ASSEMBLY            | 8889079 | 46 CRANK SHAFT           | 8889102 | 67 FRICTION WASHER                  | 8889125 |
| 7 PIN               | 8889061 | 26 BRAKE SHOE                | 8889081 | 47 KICKING RATCHET       | 8889103 | 68 HANDLE ASSEMBLY                  | 8889126 |
| 8 CAST CONTROL      | 8889062 | 27 COVER HOUSING             | 8889082 | 48 DRAG WASHER A         | 8889104 | 69 HANDLE NUT                       | 8889127 |
| 9 BALL BEARING      | 8889063 | 28 IDLE GEAR                 | 8889083 | 49 DRIVE GEAR            | 8889105 | 70 HANDLE NUT CAP                   | 8889128 |
| 10 RETAINER CLIP    | 8889064 | 29 WASHER                    | 8889084 | 50 DRAG WASHER B         | 8889106 | 71 CRANK SHAFT EAR WASHER           | 8889247 |
| 11 LEVEL WIND PIN   | 8889065 | 30 IDLE GEAR SCREW           | 8889085 | 51 DRAG PLATE            | 8889107 |                                     |         |
| 12 LEVEL WIND       | 8889066 | 31 CLUTCH CAM                | 8889086 | 52 RIGHT SIDE COVER      | 8889108 |                                     |         |
| 13 THUMB BAR SLIDE  | 8889130 | 32 KICK LEVER                | 8889087 | 53 THUMB SCREW WASHER    | 8889110 |                                     |         |
| 14 LEVEL WIND GUARD | 8889067 | 33 KICK LEVER SPRING         | 8889088 | 54 THUMB SCREW (2 req'd) | 8889111 |                                     |         |
| 15 WORM BUSHING B   | 8889068 | 34 CAM PLATE                 | 8889089 | 55 THUMB SCREW O-RING    | 8889112 |                                     |         |
| 16 WORM SHAFT       | 8889070 | 35 CAM PLATE SCREW (2 req'd) | 8889090 | 56 BUSHING               | 8889113 |                                     |         |
| 17 WORM BUSHING A   | 8889071 | 36 SPRING COLLAR             | 8889091 | 57 RETAINER CLIP         | 8889115 |                                     |         |
| 18 WASHER           | 8889072 | 37 CLUTCH CAM SPRING         | 8889092 | 58 O-RING                | 8889116 |                                     |         |
| 19 HANDLE CAP SCREW | 8889129 | 38 PINION GEAR               | 8889093 | 59 CAST CONTROL PLATE    | 8889117 |                                     |         |
| 20 LEVEL WIND PAWL  | 8889073 | 39 YOKE                      | 8889094 | 60 CUSHION WASHER        | 8889118 |                                     |         |
|                     |         | 40 YOKE SPRING (2 req'd)     | 8889095 | 61 CAST CONTROL CAP      | 8889119 |                                     |         |

The part numbers shown on this drawing and parts list are available to order. To order a part, either contact the Pure Fishing Reel Service Department at 1-877-508-3474, or the Pure Fishing Warranty Service Center nearest you. To locate the nearest service center, please see the accompanying service center listing, or visit us at [www.purefishing.com](http://www.purefishing.com)