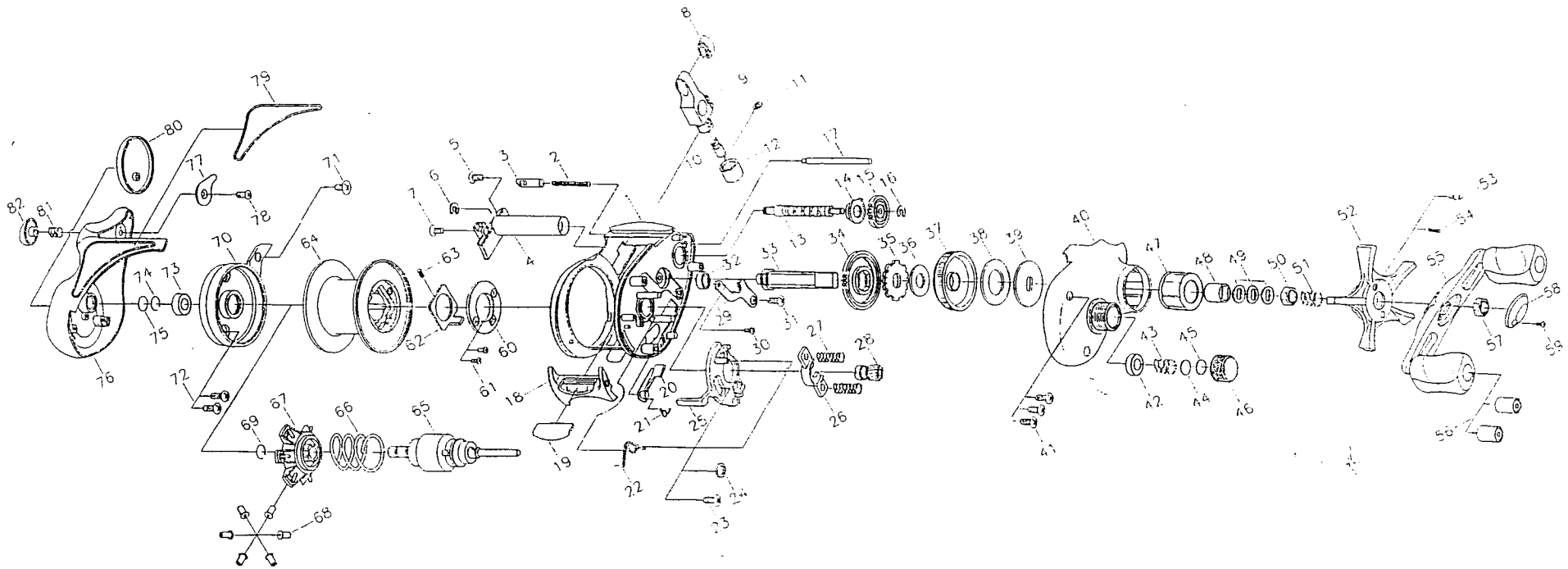


# SCL500P



DESCRIPTION	SCL500P						
1 FRAME ASSEMBLY	8889541	21 KICKER SPRING	8889446	42 BALL BEARING	8889472	63 PLATE SPRING	8889469
2 LOCKER SPRING	8889430	22 FLIPPIN LEVER	8889448	43 TENSION SPRING	8889474	64 SPOOL	8889581
3 LOCKER	8889431	23 LATCH SCREW	8889449	44 TENSION SHIM	8889475	65 ARBOR ASSEMBLY	8889494
4 CARRIER GUIDE	8889432	24 LATCH SCREW WASHER	8889451	45 TENSION RUBBER	8889476	66 ARBOR SPRING	8889495
5 SCREW	8889542	25 LATCH	8889452	46 TENSION KNOB	8889477	67 BRAKE HOUSING	8889497
6 E-CLIP	8889435	26 PINION YOKE	8889555	47 CLUTCH BEARING	8889478	68 BRAKE SHOE	8889496
7 CARRIER GUIDE SCREW	8889434	27 YOKE SPRING	8889557	48 SLEEVE	8889479	69 ARBOR ASSEMBLY	8889494
8 LINE GUIDE	8889543	28 PINION GEAR	8889553	49 WAVE WASHER	8889481	70 SPOOL COVER	8889499
9 CARRIER	8889544	29 BEARING PLATE	8889553	50 DRAG NUT	8889482	71 SCREW	8889582
10 PAWL	8889546	30 SCREW	8889561	51 DRAG SPRING	8889571	72 SPOOL COVER SCREW	8889501
11 WASHER	8889547	31 SCREW	8889562	52 STAR DRAG	8889572	73 BALL BEARING	8889502
12 PAWL CAP	8889548	32 BALL BEARING	8889472	53 CLAW	8889573	74 RING	8889503
13 WORM SHAFT	8889549	33 CRANK SHAFT	8889563	54 CLAW SPRING	8889574	75 SPOOL COVER WASHER	8889504
14 CARRIER GUIDE BUSHING	8889551	34 O/S GEAR	8889564	55 HANDLE ASSEMBLY	8889575	76 LEFT SIDE COVER	8889583
15 O/S PINION	8889552	35 LATCH GEAR	8889464	56 HANDLE KNOB CAP	8889576	77 KEY	8889506
16 H-CLIP	8889435	36 SPACER WASHER	8889465	57 HANDLE NUT	8889577	78 L SIDE COVER	8889507
17 GUIDE PIN	8889553	37 DRIVE GEAR	8889565	58 HANDLE NUT CAP	8889578	79 LEFT PAD	8889584
18 THUMB BAR	8889444	38 DRAG "B" WASHER	8889566	59 SCREW	8889579	80 METAL INSERT PLATE	8889585
19 THUMB PAD	8889554	39 DRAG "D" WASHER	8889567	60 SPOOL CAP	8889491	81 BUTTON SPRING	8889508
20 KICKER	8889445	40 RIGHT SIDE COVER	8889568	61 SPOOL CAP SCREW	8889492	82 BUTTON	8889586
		41 SCREW	8889569	62 PLATE	8889490		