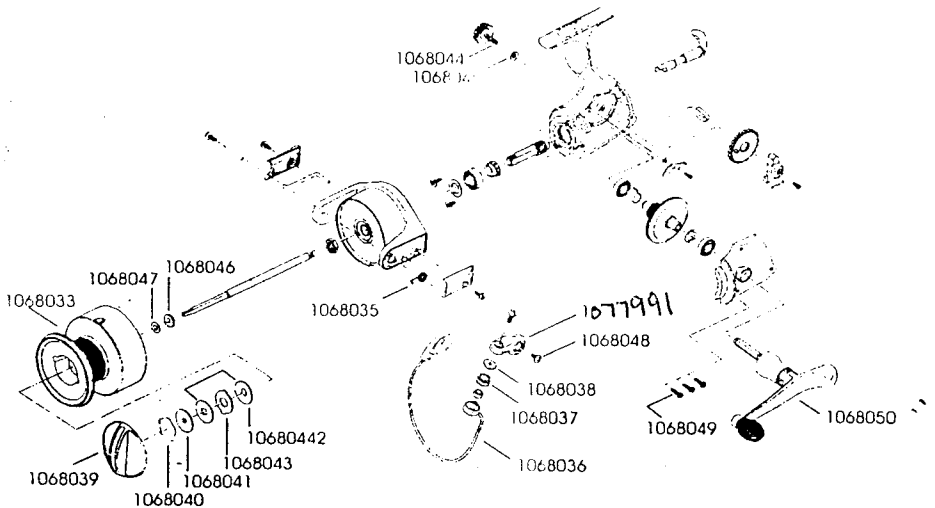


KEY NO.	PART NO.	PART NAME
1067261	KA100JP05	SPOOL ASSEMBLY
1067262	AI201JP10	BAIL ARM
1067263	AS202JP10-2	BAIL ARM SPRING
1067264	AS213JP05-2	BAIL ASSEMBLY
1067265	AC215JP10-1	LINE ROLLER
1067269	AP217JP10-1	LINE ROLLER WASHER
1067266	KA500JP10-1	DRAG KNOB
1067257	AS104JP10-1	DRAG RETAINER
1067258	AP512JP10-1	DRAG METAL WASHER
1067259	AP510JP10-1	DRAG FIBER WASHER
1067260	AP511JP10-1	DRAG KEYED WASHER
1067372	KA713CK08-1	HANDLE CAP SCREW
1067373	AP715CK08-1	HANDLE RETAINER WASHER
1067267	AP819MOP40-1	CLICK GEAR
1067268	AP822MOP40-1	CLICK GEAR WASHER
1067270	ATTT2.6X8-SN	BAIL ARM SCREW
1067271	ATBT2.6X10-SN	SIDE PLATE SCREW
1067371	KA700JP10	HANDLE ASSEMBLY



1068033	KA100MOP35	SPOOL ASSEMBLY
1077991	AI201CK08-1	BAIL ARM
1068035	AS202CK08-1	BAIL ARM SPRING
1068036	KA213MOP35-1	BAIL ASSEMBLY
1068037	AC215CK08-1	LINE ROLLER
1068038	APW3.5x12 1x0.5-S	LINE ROLLER WASHER
1068039	KA500MOP40-1	DRAG KNOB
1068040	AS104MOP40-1	DRAG RETAINER
1068041	AP512MOP40-1	DRAG METAL WASHER
1068042	AP510MOP40-1	DRAG FIBER WASHER
1068043	AP511MOP40-1	DRAG KEYED WASHER
1068044	AI713CK08-1B	HANDLE CAP SCREW
1068045	AP715CK08-1	HANDLE RETAINER WASHER
1068046	AP819MOP40-1	CLICK GEAR
1068047	AP822MOP40-1	CLICK GEAR WASHER
1068048	STTN3.5x9-SN	BAIL ARM SCREW
1068049	ATBT2.6X10-SN	SIDE PLATE SCREW
1068050	KA700CK08-1	HANDLE ASSEMBLY

Limited Warranty. Pure Fishing warrants to the original purchaser that its MITCHELL fishing reels are free from defects in materials or workmanship for a period of one (1) year from the date of purchase. The reel must be returned, prepaid and with proof of the date of purchase, to Pure Fishing Reel Service Department, 1900 18th Street, Spirit Lake, Iowa 51360. If after inspection, we find that the product or part was defective in material or workmanship, we shall, at our option, repair or replace it without charge. We are not responsible for normal wear and tear or for defects caused by accidents, abuse, alteration, modification, misuse, improper care; or for reels used commercially. **There are no other express warranties beyond the terms of this limited warranty. In no event shall any implied warranties, including merchantability and fitness for a particular purpose, extend beyond the duration of the express warranty contained herein. In no event shall Pure Fishing, its agents,**

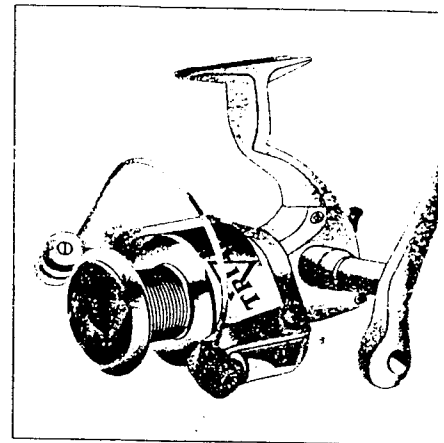
incidental or consequential damages. Some states do not allow limitations on how long an implied warranty lasts or the exclusion of limitation of incidental or consequential damages, so the above limitations or exclusions may not apply to you. This warranty gives you specific rights and you may have other rights which vary from state to state.

The part numbers shown on this drawing and parts list are available to order. To order a part, contact the Pure Fishing reel service department at 1-877-508-3474. Should you require a part that does not have an item/part number assigned to it, please send your reel to the address listed below for service.

Pure Fishing Reel Service Department,



T05 and T4 Spinning Reels



MODEL	BALL BEARINGS	GEAR RATIO	WT	LINE CAP
T05	3	5.0:1	5.4 oz	4 lb./27
T40	3	5.0:1	10.5 oz	8 lb./27



Pure Fishing
1900 18th Street
Spirit Lake, IA 51360-1099
www.purefishing.com

See us on the Worldwide Web at www.purefishing.com