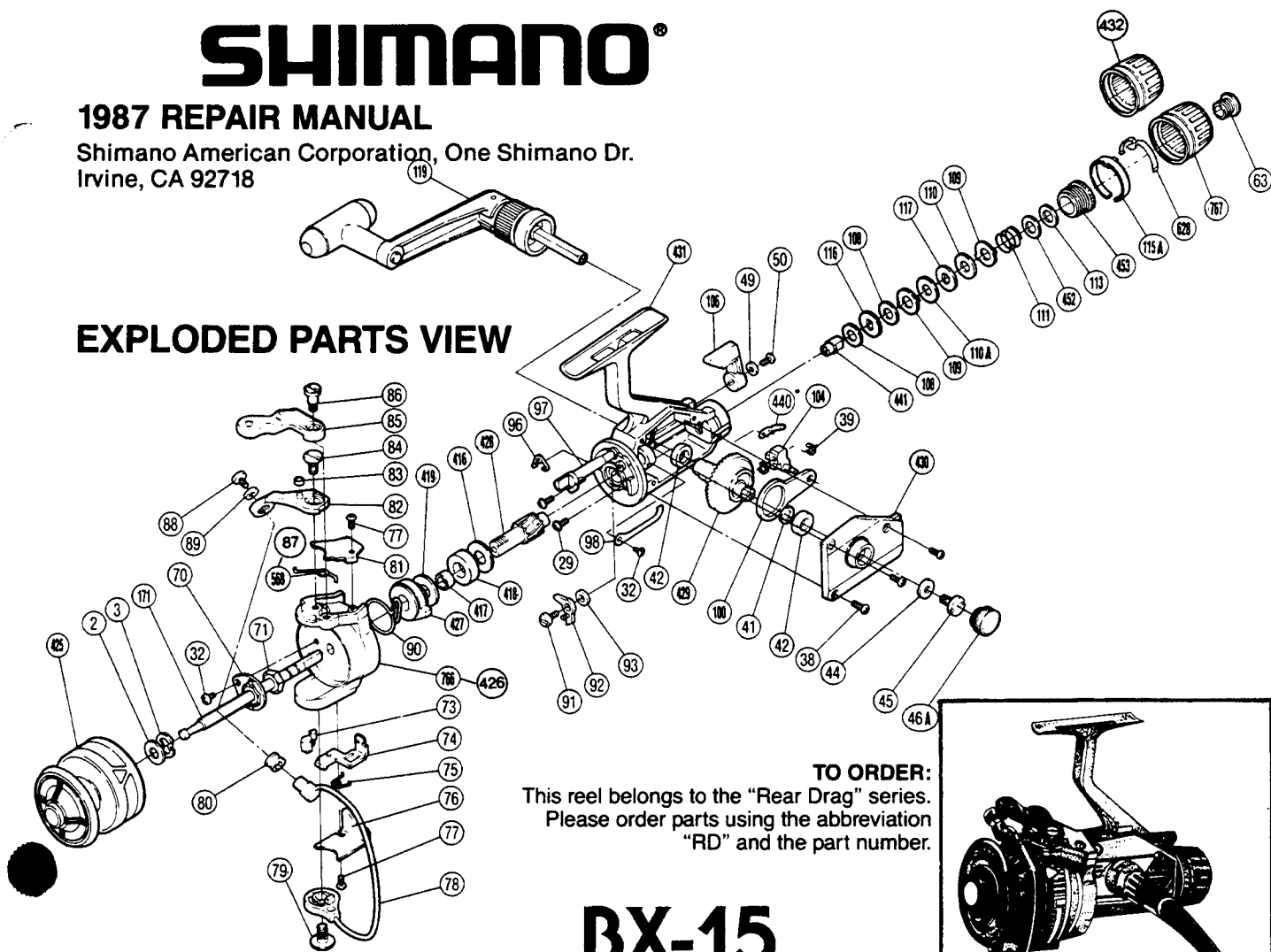


SHIMANO®

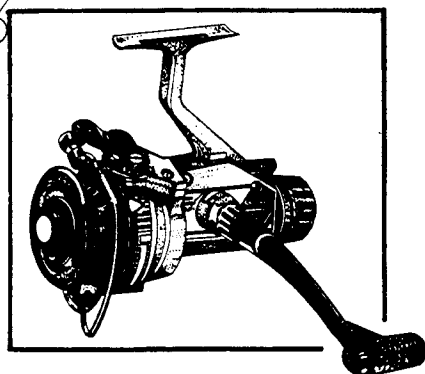
1987 REPAIR MANUAL

Shimano American Corporation, One Shimano Dr.
Irvine, CA 92718

EXPLODED PARTS VIEW



TO ORDER:
This reel belongs to the "Rear Drag" series.
Please order parts using the abbreviation
"RD" and the part number.



BX-15

PARTS LIST

PART# DESCRIPTION

- 2. Spool Spacer
- 3. Tension Spring
- 27A. Bearing Spacer
- 29. Bearing Retainer Screw
- 32. Multi Purpose Screw
- 38. Side Plate Screw
- 39. "C" Lock
- 41. Thrust Washer
- 42. Drive Gear Bushing
- 44. Handle Screw Lock Washer
- 45. Handle Screw
- 46A. Dust Cap
- 49. Lock Washer
- 50. Anti Reverse Lever Screw
- 63. Drag Screw
- 70. Rotor Nut Lock
- 71. Rotor Nut
- 73. Trip Plate Cam
- 74. Trip Plate
- 75. Trip Plate Spring
- 76. Trip Plate Cover
- 77. Cover Screw
- 78. Bail Wire
- 79. Bail Screw
- 80. Roller Line Guide
- 81. Bail Spring Cover

PART# DESCRIPTION

- 82. Bail Mount
- 83. Trigger Pin Roller
- 84. Bail Mount Screw
- 85. Quick Fire Trigger
- 86. Trigger Screw
- 87. Spring (Original 2-Coil)
- 88. Bail Wire Screw
- 89. Guide Screw Lock Washer
- 90. Rotor Stop Spring
- 91. Anti Reverse Dog Screw
- 92. Anti Reverse Dog
- 93. Anti Reverse Dog Spacer
- 96. Shaft Spring
- 97. Anti Reverse Shaft
- 98. Drag Click Spring
- 100. Oscillation Guide
- 104. Oscillation Guide Block
- 106. Anti Reverse Lever
- 108. Drag Washer A
- 109. Keyed Washer
- 110. Drag Washer (Black)
- 110A. Drag Washer (White)
- 111. Drag Spring
- 113. Friction Washer
- 115A. Stop Ring
- 116. Ratchet Washer

PART# DESCRIPTION

- 117. D Washer
- 119. Handle (Originally 409)
- 171. Spindle
- 416. Bushing Washer A
- 417. Bearing Spacer (Originally 420A)
- 418. Pinion Gear Bushing
- 419. Bushing Washer B
- 425. Spool
- 426. Rotor (Original for 2-Coil Spring)
- 427. Self Center Ratchet
- 428. Pinion Gear
- 429. Drive Gear
- 430. Side Plate
- 431. Housing
- 432. Drag Adjusting Knob (orig.)*
- 440. Drag Knob Click Spring *
- 441. Drag Shaft
- 450. Lock Washer
- 451. Lock Spring
- 452. Base Spring Washer
- 453. Spring Housing
- 568. Bail Spring('85) 4-Coil
- 628. Drag Knob Click Spring('85)
- 766. Rotor('85) 4-Coil Spring
- 767. Drag Knob('85)