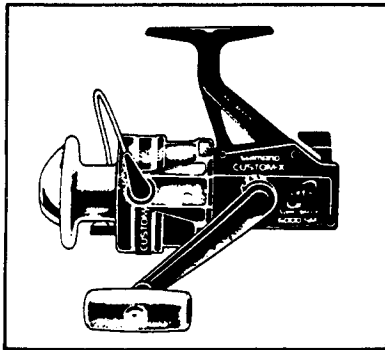


SHIMANO®

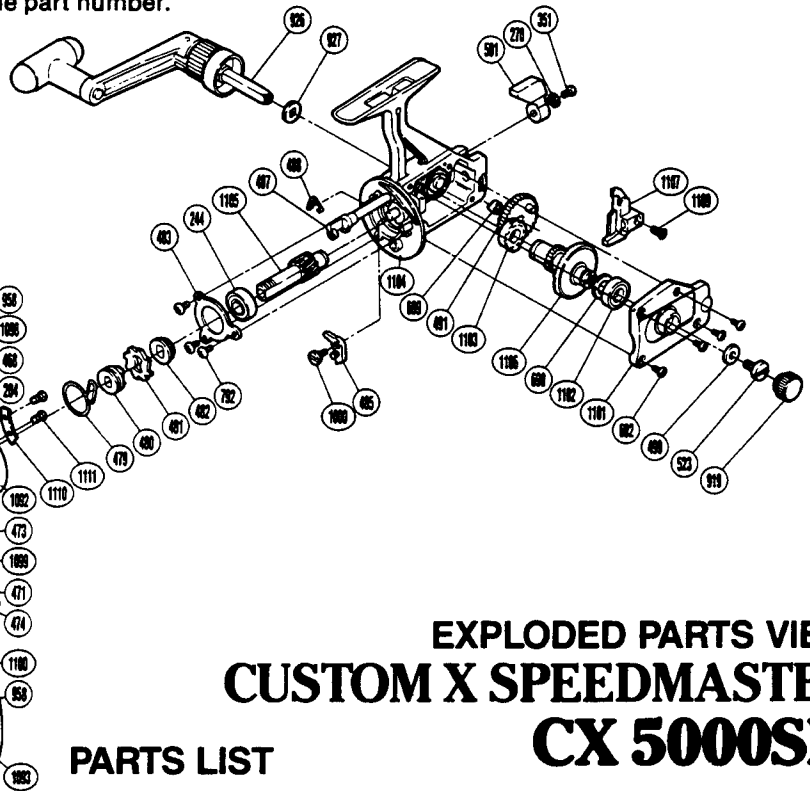
1987 REPAIR MANUAL

Shimano American Corporation, One Shimano Dr.
Irvine, CA 92718



TO ORDER:

This reel belongs to the "Rear Drag" series.
Please order parts using the abbreviation
"RD" and the part number.



EXPLODED PARTS VIEW CUSTOM X SPEEDMASTER CX 5000SM

PARTS LIST

PART # DESCRIPTION

- 204. Bail Arm Screw
- 244. Ball Bearing
- 270. (Lever Screw) Lock Washer
- 351. (Bail) Trip Cover Screw
- 468. Bail Spring
- 471. Trip Lever Guide
- 473. Bail Trip Slide Cam
- 474. Lever Spring
- 476. "E" Lock
- 479. Anti-Reverse Pawl Spring
- 480. Anti-Reverse Spring Holder
- 481. Anti-Reverse Ratchet
- 482. Pinion Spacer
- 483. Bearing Retainer
- 485. Anti-Reverse Pawl Assembly
- 487. Anti-Reverse Cam
- 488. Anti-Reverse Cam Spring
- 491. Oscillating Gear Assembly

PART # DESCRIPTION

- 499. Handle (Screw) Lock Washer
- 501. Anti-Reverse Lever
- 521. Rotor Nut
- 523. Handle (Lock) Screw
- 602. Side Cover Screw A
- 647. Nut Lock Screw
- 682. Rotor Nut Lock Plate
- 689. Oscillating Gear Bushing
- 690. Drive Gear Washer
- 792. Bearing Retainer Screw
- 919. Handle Screw Cap
- 926. Handle Assembly
- 927. Handle Lock Spacer
- 958. Bail Trip Cover Screw
- 1000. Anti-Reverse Pawl Screw
- 1084. Drag Knob
- 1085. Drag Washers Retainer
- 1086. Key Washer
- 1087. Drag Washer 1
- 1088. Eared Washer
- 1089. Drag Washer 2

PART # DESCRIPTION

- 1090. Spool Assembly
- 1091. Spool Washer
- 1092. Rotor
- 1093. Bail Assembly
- 1094. Sic Ceramic Roller
- 1095. Line Roller Washer
- 1096. Line Roller Screw
- 1097. Bail Arm
- 1098. Bail Spring Cover
- 1099. Bail Trip Lever
- 1100. Bail Trip Cover
- 1101. Side Cover
- 1102. Ball Bearing
- 1103. Bushing
- 1104. Body
- 1105. Pinion Gear
- 1106. Drive Gear
- 1107. Oscillating Slider
- 1108. Main Shaft
- 1109. Slider Retainer Screw
- 1110. Counter Weight
- 1111. Counter Weight Screw