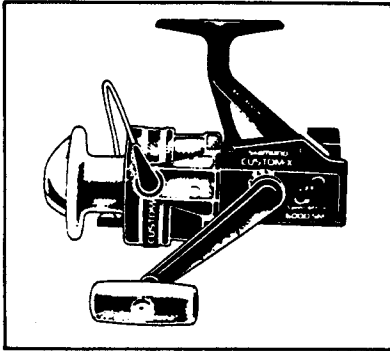


SHIMANO®

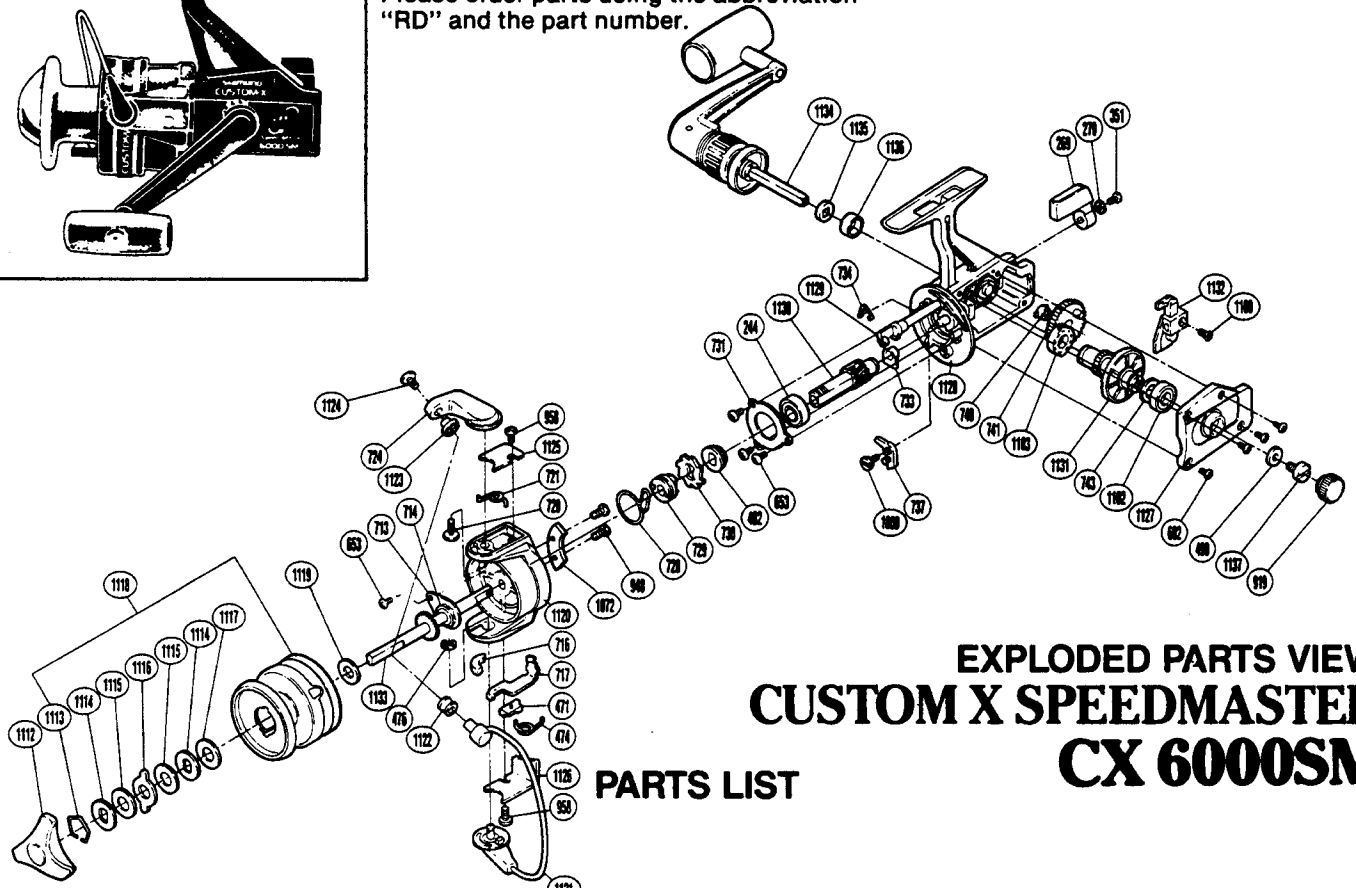
1987 REPAIR MANUAL

Shimano American Corporation, One Shimano Dr.
Irvine, CA 92718



TO ORDER:

This reel belongs to the "Rear Drag" series.
Please order parts using the abbreviation
"RD" and the part number.



EXPLODED PARTS VIEW CUSTOM X SPEEDMASTER CX 6000SN

PARTS LIST

PART # DESCRIPTION

- 244. Ball Bearing
- 269. Anti-Reverse Lever
- 270. (Lever Screw) Lock Washer
- 351. (Bail) Trip Cover Screw
- 471. Trip Lever Guide
- 474. Lever Spring
- 476. "E" Lock
- 482. Pinion Spacer
- 499. Handle (Screw) Lock Washer
- 602. Side Cover Screw A
- 653. Bail Trip Cover Screw
- 713. Rotor Nut Lock Plate
- 714. Rotor Nut
- 716. Bail Trip Side Cam
- 717. Bail Trip Lever
- 720. Bail Arm Screw
- 721. Bail Spring
- 724. Bail Arm
- 728. Anti-Reverse Pawl Spring
- 729. Anti-Reverse Spring Holder

PART # DESCRIPTION

- 730. Anti-Reverse Ratchet
- 731. Bearing Retainer
- 733. Pinion Gear Bushing
- 734. Anti-Reverse Cam Spring
- 737. Anti-Reverse Pawl Assembly
- 740. Oscillating Gear Bushing
- 741. Oscillating Gear Assembly
- 743. Drive Gear Washer
- 919. Handle Screw Cap
- 948. Bail Trip Cover Screw
- 958. Bail Trip Cover Screw
- 1000. Anti-Reverse Pawl Screw
- 1072. Counter Weight
- 1102. Ball Bearing
- 1103. Bushing
- 1109. Slider Retainer Screw
- 1112. Drag Knob
- 1113. Drag Washers Retainer
- 1114. Key Washer
- 1115. Drag Washer 1

PART # DESCRIPTION

- 1116. Eared Washer
- 1117. Drag Washer 2
- 1118. Spool Assembly
- 1119. Spool Washer
- 1120. Rotor
- 1121. Bail Assembly
- 1122. Sic Ceramic Roller
- 1123. Line Roller Washer
- 1124. Line Roller Screw
- 1125. Bail Spring Cover
- 1126. Bail Trip Cover
- 1127. Side Cover
- 1128. Body
- 1129. Anti-Reverse Cam
- 1130. Pinion Gear
- 1131. Drive Gear
- 1132. Oscillating Slider
- 1133. Main Shaft
- 1134. Handle Assembly
- 1135. Handle Lock Spacer
- 1136. Handle Lock Ring
- 1137. Handle Lock Screw