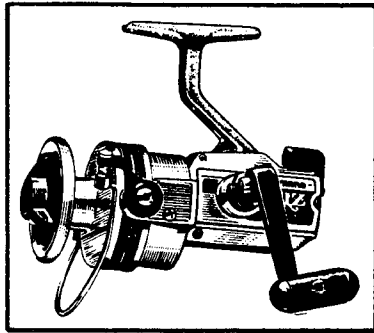


SHIMANO

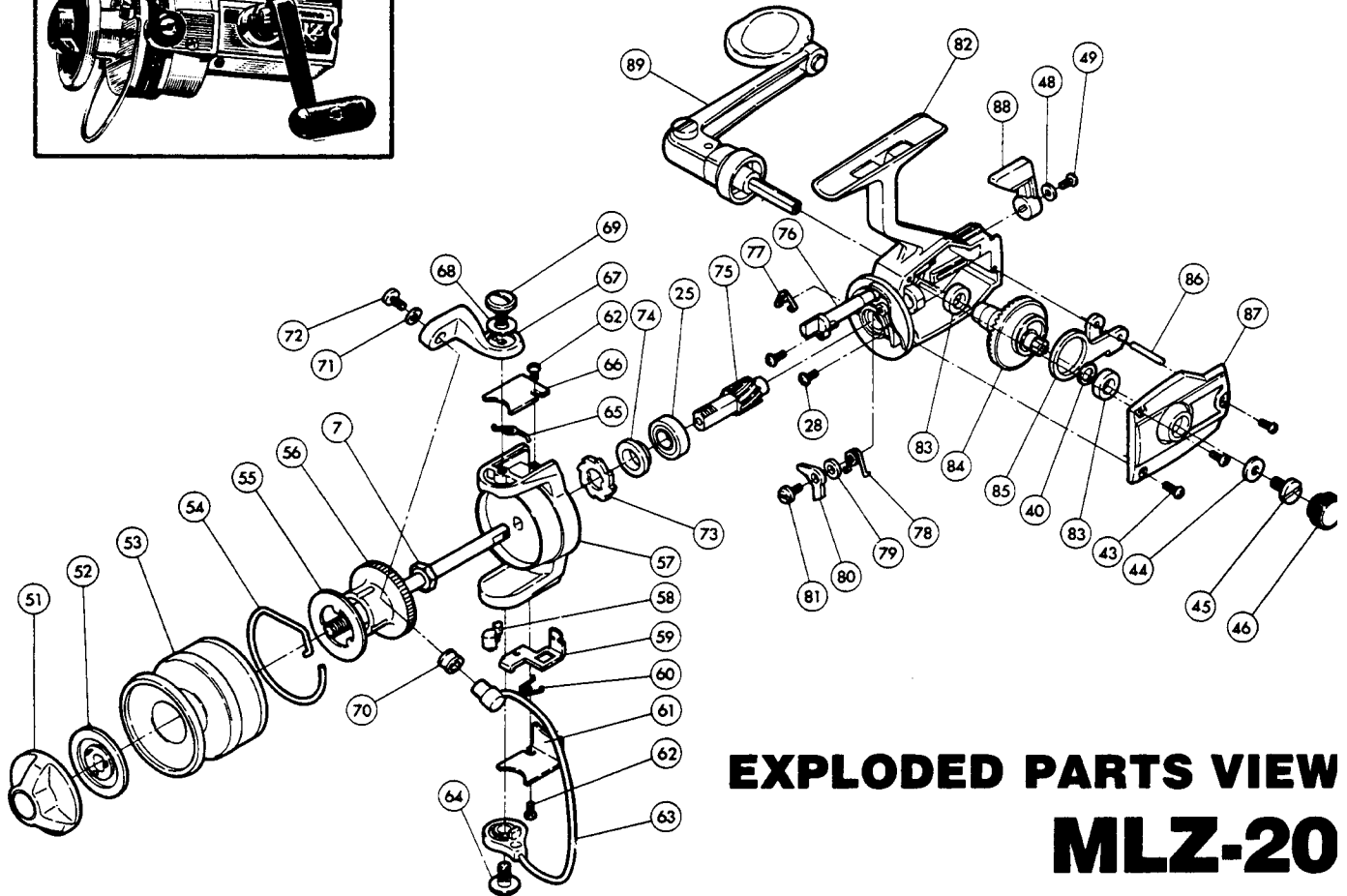
1987 REPAIR MANUAL SHEET MLZ-20

Shimano American Corporation, One Shimano Dr
Irvine, CA 92718



TO ORDER:

This reel belongs to the "MLX, MLZ" series.
Please order parts using the abbreviation
"MLX" and the part number.



EXPLODED PARTS VIEW MLZ-20

PARTS LIST

PART# DESCRIPTION

7 Rotor nut
25 Ball bearing
28 Bearing retainer screw
40 Drive gear spacer (optional)
43 Side plate screw
44 Lock washer
45 Handle screw
46 Dust cap
48 Anti reverse lever lock wash
49 Anti reverse lever screw
51 Drag adjusting knob
52 Drag disk
53 Spool shell
54 Click spring
55 Base drag washer
56 Spindle
57 Rotor

PART# DESCRIPTION

58 Trip plate cam
59 Trip plate
60 Trip plate spring
61 Trip plate cover
62 Cover screw
63 Bail wire
64 Bail wire screw
65 Bail spring
66 Bail spring cover
67 Bail mount
68 Bail mount washer (opt.)
69 Bail mount screw
70 Roller line guide
71 Lock washer
72 Bail wire screw
73 Anti reverse ratchet

PART# DESCRIPTION

74 Anti reverse ratchet spacer
75 Pinion gear
76 Anti reverse shaft
77 Anti reverse shaft spring
78 Anti reverse dog spring
79 Anti reverse dog spacer
80 Anti reverse dog
81 Anti reverse dog screw
82 Housing
83 Drive gear bushing
84 Drive gear
85 Oscillation guide
86 Oscillation guide pin
87 Side plate
88 Anti reverse lever
89 Handle