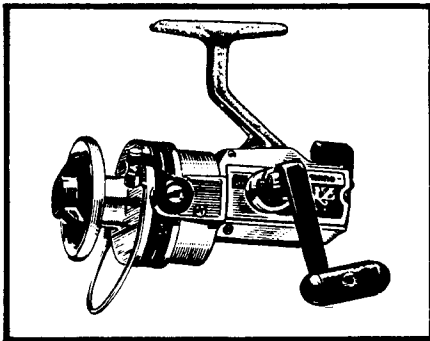


SHIMANO

1987 REPAIR MANUAL SHEET MLZ-50

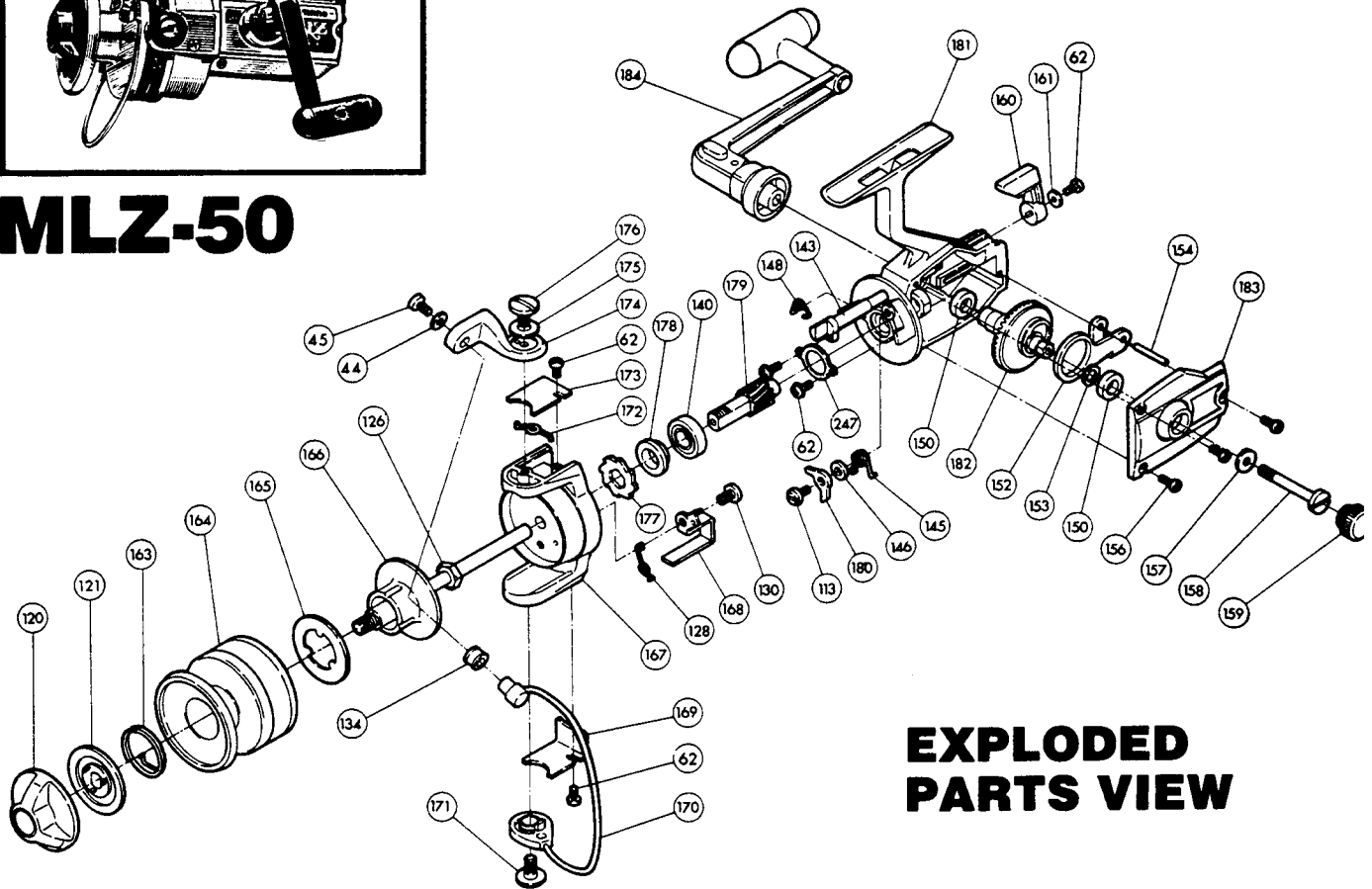
Shimano American Corporation, One Shimano Dr
Irvine, CA 92718



MLZ-50

TO ORDER:

This reel belongs to the "MLX, MLZ" series.
Please order parts using the abbreviation
"MLX" and the part number.



EXPLODED PARTS VIEW

PARTS LIST

PART# DESCRIPTION

- 44 Lock washer
- 45 Line guide screw
- 62 Cover screw
- 113 Anti reverse dog screw
- 120 Drag adjusting knob
- 121 Drag disk
- 126 Rotor nut
- 128 Trip lever spring
- 130 Trip lever screw
- 134 Roller line guide
- 140 Ball bearing
- 143 Anti reverse shaft
- 145 Anti reverse dog spring
- 146 Anti reverse dog spacer
- 148 Anti reverse shaft spring
- 150 Drive gear bushing

PART# DESCRIPTION

- 152 Oscillation guide
- 153 Drive gear spacer
- 154 Oscillation guide pin
- 156 Side plate screw
- 157 Handle screw lock washer
- 158 Handle screw
- 159 Dust cover
- 160 Anti reverse lever
- 161 Anti reverse lever lock wash
- 163 Click spring
- 164 Spool shell
- 165 Base drag disk
- 166 Spindle
- 167 Rotor
- 168 Trip lever
- 169 Trip lever cover

PART# DESCRIPTION

- 170 Bail wire
- 171 Bail wire screw
- 172 Bail spring
- 173 Bail spring cover
- 174 Bail mount
- 175 Bail screw washer
- 176 Bail mount screw
- 177 Anti reverse ratchet
- 178 Anti reverse ratchet spacer
- 179 Pinion gear
- 180 Anti reverse dog
- 181 Housing
- 182 Drive gear
- 183 Side plate
- 184 Handle
- 247 Bearing retainer