

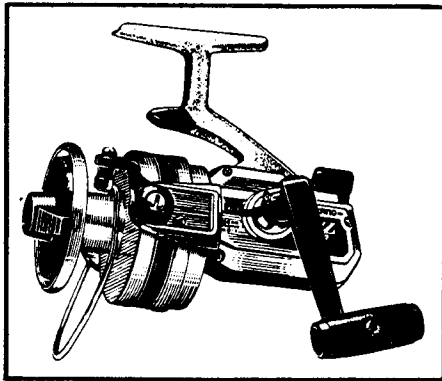
# SHIMANO

## 1987 REPAIR MANUAL SHEET MLZ-60

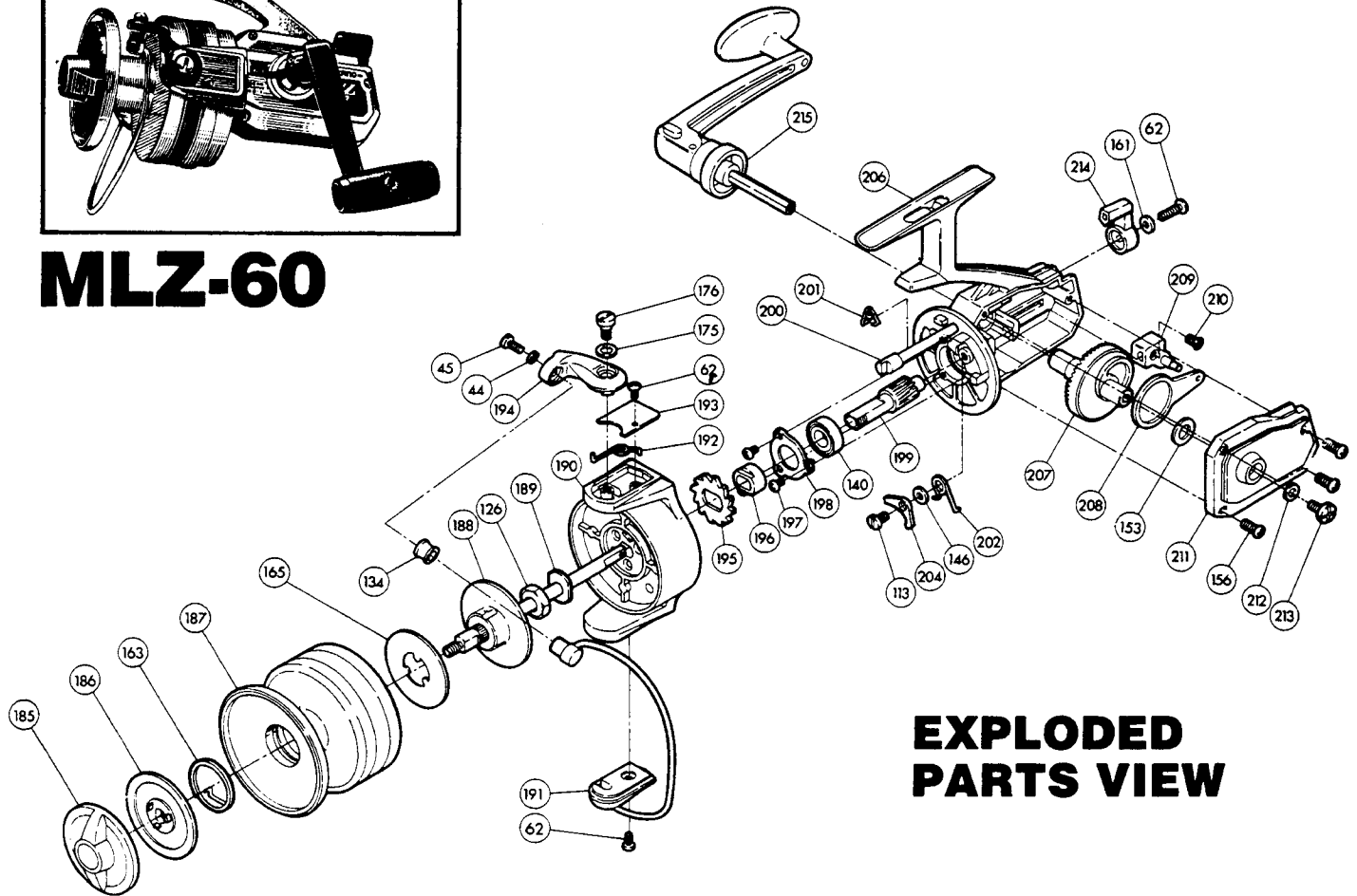
Shimano American Corporation, One Shimano Dr.  
Irvine, CA 92718

### TO ORDER:

This reel belongs to the "MLX, MLZ" series.  
Please order parts using the abbreviation  
"MLZ" and the part number.



## MLZ-60



## EXPLODED PARTS VIEW

## PARTS LIST

### PART# DESCRIPTION

44 Lock washer  
45 Line guide screw  
62 Cover screw  
113 Anti reverse dog screw  
126 Rotor nut  
134 Roller line guide  
140 Ball bearing  
146 Anti reverse dog spacer  
153 Drive gear spacer  
156 Side plate screw  
161 Anti reverse lever lock wash  
163 Click spring  
165 Base drag disk  
175 Bail screw washer  
176 Bail mount screw

### PART# DESCRIPTION

185 Drag adjusting knob  
186 Drag disk  
187 Spool shell  
188 Spindle  
189 Rotor lock plate  
190 Rotor  
191 Bail wire  
192 Bail spring  
193 Bail spring cover  
194 Bail mount  
195 Anti reverse ratchet  
196 Anti reverse ratchet spacer  
197 Bearing retainer screw  
198 Bearing retainer  
199 Pinion gear

### PART# DESCRIPTION

200 Anti reverse shaft  
201 Anti reverse shaft spring  
202 Anti reverse dog spring  
204 Anti reverse dog  
206 Housing  
207 Drive gear  
208 Oscillation guide  
209 Oscillation guide block  
210 Oscillation guide blk. screw  
211 Side plate  
212 Handle screw lock washer  
213 Handle screw  
214 Anti reverse lever  
215 Handle