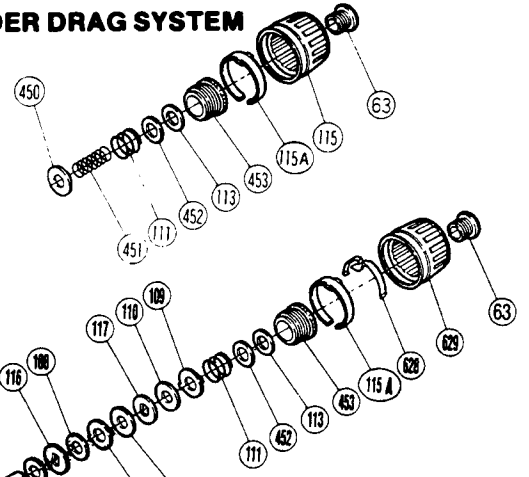


SHIMANO®

1987 REPAIR MANUAL

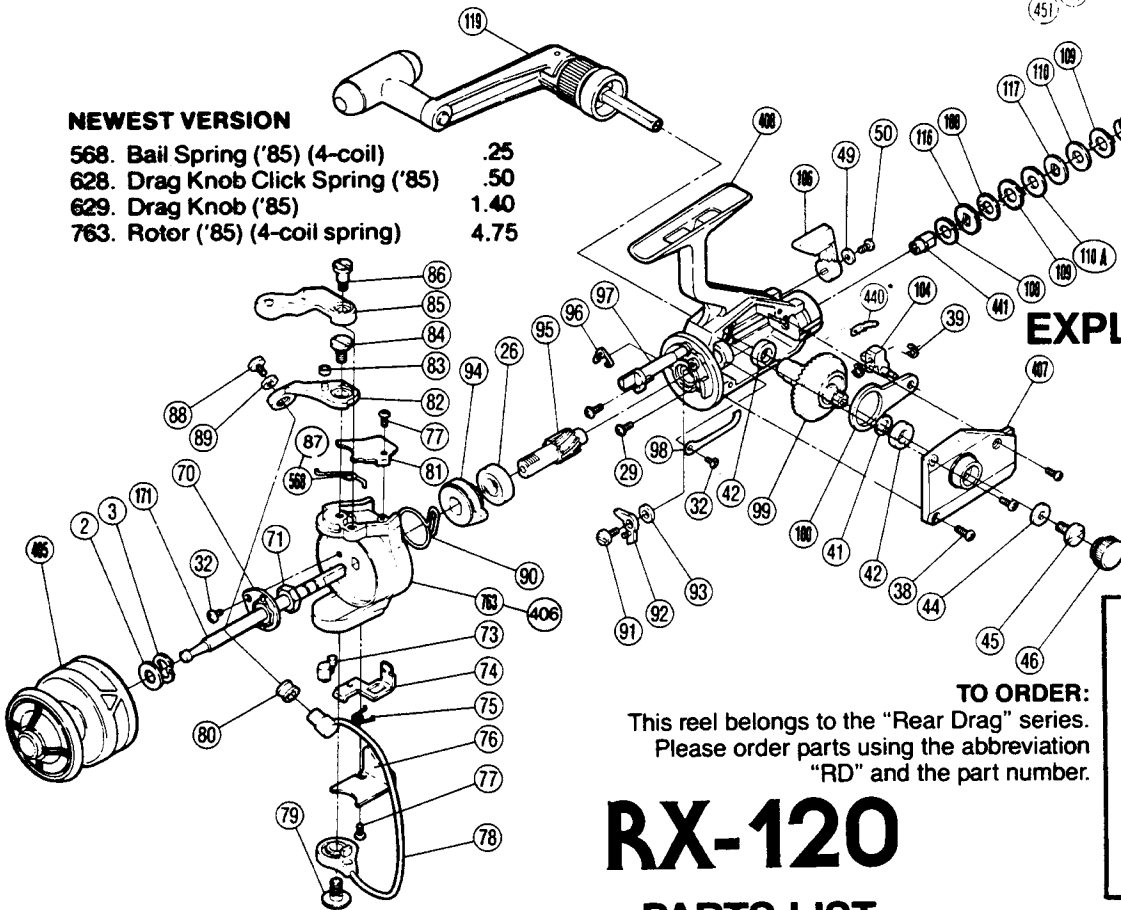
Shimano American Corporation, One Shimano Dr.
Irvine, CA 92718

OLDER DRAG SYSTEM



NEWEST VERSION

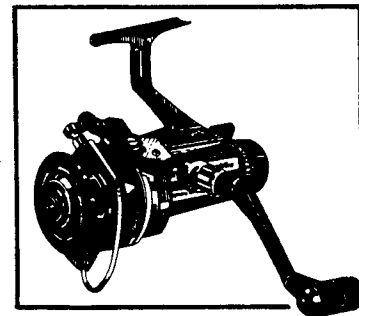
568. Bail Spring ('85) (4-coil)	.25
628. Drag Knob Click Spring ('85)	.50
629. Drag Knob ('85)	1.40
763. Rotor ('85) (4-coil spring)	4.75



EXPLODED PARTS VI

TO ORDER:

This reel belongs to the "Rear Drag" series.
Please order parts using the abbreviation
"RD" and the part number.



RX-120

PARTS LIST

PART# DESCRIPTION

- 2. Spool Spacer
- 3. Tension Spring
- 26. Ball Bearing
- 29. Bearing Retainer Screw
- 32. Multi Purpose Screw
- 38. Side Plate Screw #1
- 39. "C" Lock
- 41. Thrust Washer
- 42. Drive Gear Bushing
- 44. Handle Screw Lock Washer
- 45. Handle Screw
- 46. Dust Cap
- 49. Anti Reverse Lock Washer
- 50. Anti Reverse Lever Screw
- 63. Drag Screw
- 70. Rotor Nut Lock
- 71. Rotor Nut
- 73. Trip Plate Cam
- 74. Trip Plate
- 75. Trip Plate Spring
- 76. Trip Plate Cover
- 77. Cover Screw
- 78. Bail Wire

PART# DESCRIPTION

- 79. Bail Screw
- 80. Roller Line Guide
- 81. Bail Spring Cover
- 82. Bail Mount
- 83. Trigger Pin Roller
- 84. Bail Mount Screw
- 85. Quickfire Trigger
- 86. Trigger Screw
- 87. Bail Spring (original 2-coil)
- 88. Bail Wire Screw
- 89. Guide Screw Lock Washer
- 90. Rotor Stop Spring
- 91. Anti Reverse Dog Screw
- 92. Anti Reverse Dog
- 93. Anti Reverse Dog Spacer
- 94. Self Center Ratchet
- 95. Pinion Gear
- 96. Anti Reverse Shaft Spring
- 97. Anti Reverse Shaft
- 98. Drag Click
- 99. Drive Gear
- 100. Oscillation Guide
- 104. Oscillation Guide Block

PART# DESCRIPTION

- 106. Anti Reverse Lever
- 108. Drag Washer A
- 109. Keyed Washer #1
- 110. Drag Washer (Black)
- 110A. Drag Washer (White)
- 111. Drag Spring
- 113. Friction Washer
- 115. Drag Adjusting Knob
- 115A. Stop Ring
- 116. Ratchet Washer
- 117. D Washer
- 119. Handle (originally 409)
- 171. Spindle
- 405. Spool
- 406. Rotor (for orig. 2-coil spring)
- 407. Side Plate
- 408. Housing
- 440. Drag Knob Click Spring *
- 441. Drag Shaft
- 450. Lock Washer
- 451. Lock Spring
- 452. Base Spring Washer
- 453. Spring Housing

Prices and specifications subject to change without notice

JUNE 1986

* not on reels with part #628