

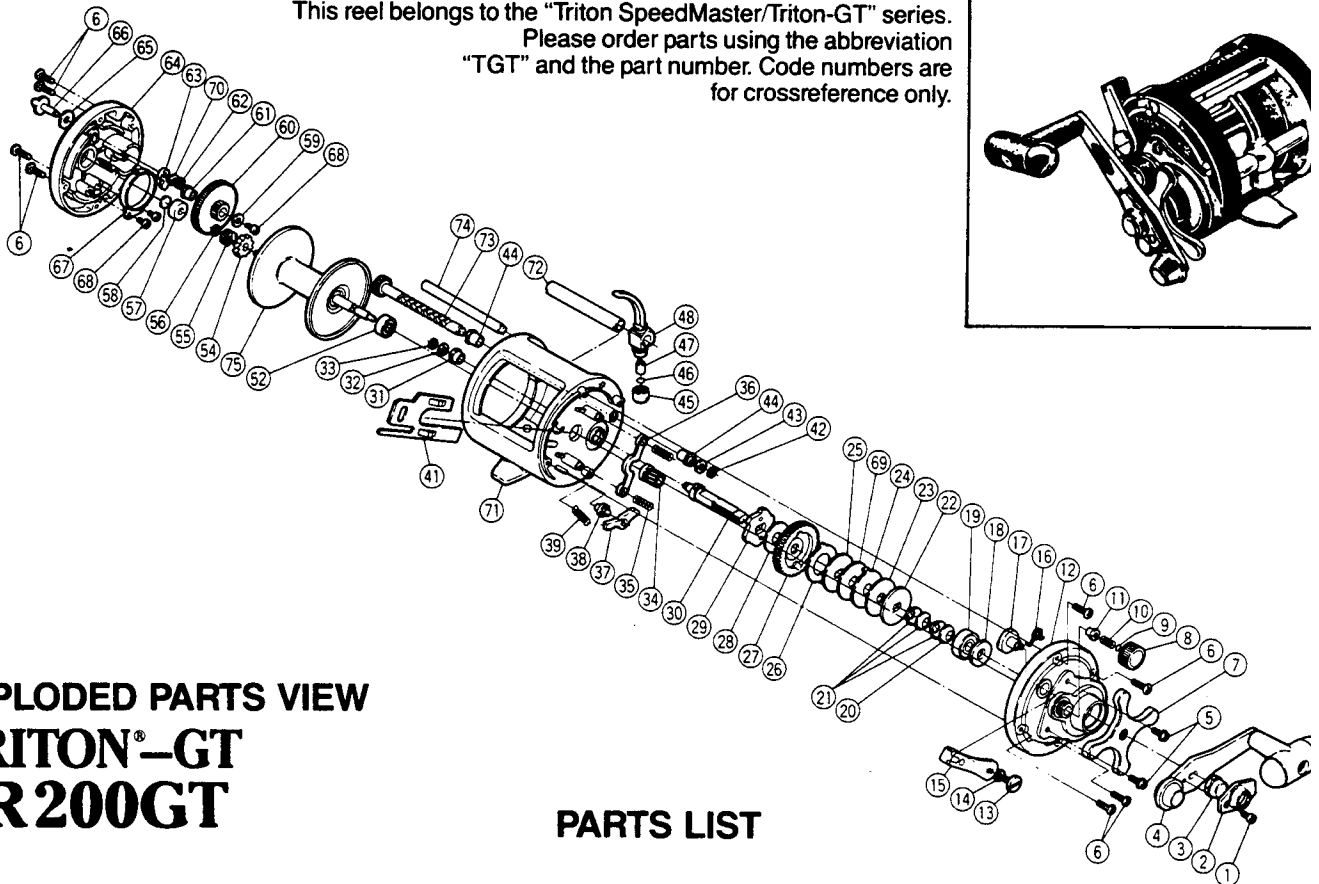
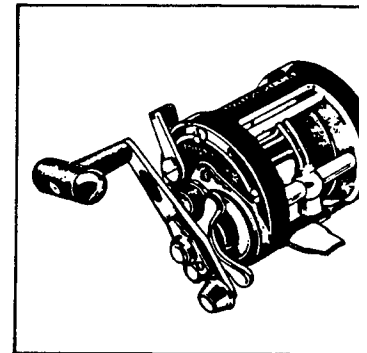
SHIMANO

1987 REPAIR MANU

Shimano American Corporation, One Shimano
Irvine, CA 92718

TO ORDER:

This reel belongs to the "Triton SpeedMaster/Triton-GT" series.
Please order parts using the abbreviation
"TGT" and the part number. Code numbers are
for crossreference only.



EXPLODED PARTS VIEW TRITON®-GT TR200GT

PARTS LIST

PART #	DESCRIPTION	CODE #	PART #	DESCRIPTION	CODE #
1.	Handle Nut Plate Screw	7-0014 30100S	36.	Yoke	7-1816 09030S
2.	Handle Nut Plate	7-2124 06700S	37.	Anti-Reverse Pawl	7-1824 09300S
3.	Handle Nut	7-2123 09030S	38.	Pawl Supporter	7-1823 09030S
4.	Handle Assembly	6-2129 09030S	39.	Anti-Reverse Pawl Spring	7-1838 09030S
5.	Right Side Plate Screw	7-0011 30471S	41.	Yoke Plate	7-1813 09030S
6.	Side Plate Screw	7-0013 40570S	42.	Worm Shaft Retainer	7-0040 10600S
7.	Star Drag	7-2114 09030S	43.	Worm Shaft Holder Washer	7-1620 09030S
8.	Cast Control Cap	7-2010 09030S	44.	Worm Bearing	7-1601 09030S
9.	Spacer "A"	7-2060 09030S	45.	Pawl Cap	7-1612 07100S
10.	Spool Tension Spring	7-20A7 09030S	46.	Spacer	7-1431 06100S
11.	Spool Shaft Bushing "A"	7-2003 09030S	47.	Line Guide Pawl	7-1611 09030S
12.	Right Side Plate	7-2001 09030S	48.	Line Guide	6-1619 09030S
13.	Clutch Lever Screw	7-2038 09030S	52.	Ball Bearing	7-1845 06400S
14.	Lock Washer	7-0023 30200S	54.	Click Gear	7-1732 09030S
15.	Clutch Lever	6-2039 09030S	55.	Idle Gear "A"	7-1725 09030S
16.	Clutch Spring	7-2026 09030S	56.	Idle Gear "A" Retainer	7-0042 18400S
17.	Clutch Cam	7-2034 09030S	57.	Spool Shaft Bushing "B"	7-1444 09300S
18.	Bearing Spacer	7-20A6 09030S	58.	Spacer "B"	7-1403 09030S
19.	Ball Bearing	7-0402 27300S	59.	Lock Washer	7-1473 09030S
20.	Drag Spring Washer "H"	7-1755 09002S	60.	Idle Gear "B"	7-1531 09030S
21.	Drag Spring Washer "G"	7-1755 09001S	61.	Idle Gear "B" Bushing	7-1623 09030S
22.	Key Washer "F"	7-2172 09030S	62.	Click Pawl Retainer	7-0040 30400S
23.	Drag Washer "D"	7-2144 09030S	63.	Click Pawl	7-1414 09300S
24.	Eared Washer "F"	7-2146 09030S	64.	Left Side Plate	6-1409 09030S
25.	Key Washer "C"	7-2143 09030S	65.	Spacer "A"	7-1470 09300S
26.	Eared Washer "B"	7-2107 09030S	66.	Click Button	7-1468 09030S
27.	Drive Gear	7-2106 09030S	67.	Click Spring	7-1445 09100S
28.	Drive Shaft Washer	7-2105 09030S	68.	Click Spring Screw	7-0013 30140S
29.	Anti-Reverse Ratchet	7-2103 09030S	69.	Drag Washer "E"	7-2144 09031S
30.	Drive Shaft	7-2102 09030S	70.	Spacer "F"	7-1471 09300S
31.	Drive Shaft Bushing	7-20A5 09030S	71.	Frame	6-15A9 09040S
32.	Spacer	7-2101 09030S	72.	Level Wind Guard	7-1606 09040S
33.	Drive Shaft Retainer	7-0040 10620S	73.	Worm Shaft	6-1609 09040S
34.	Pinion Gear	6-1729 09030S	74.	Stabilizer Bar	7-1607 09040S
35.	Yoke Spring	7-1817 09030S	75.	Spool	7-1701 09040S