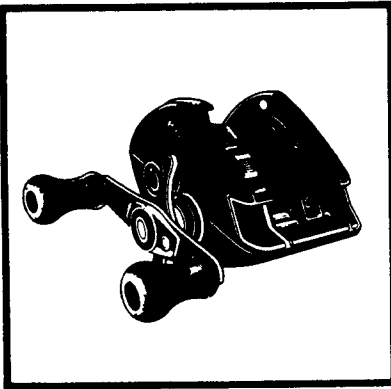


SHIMANO

1988 REPAIR MANUAL

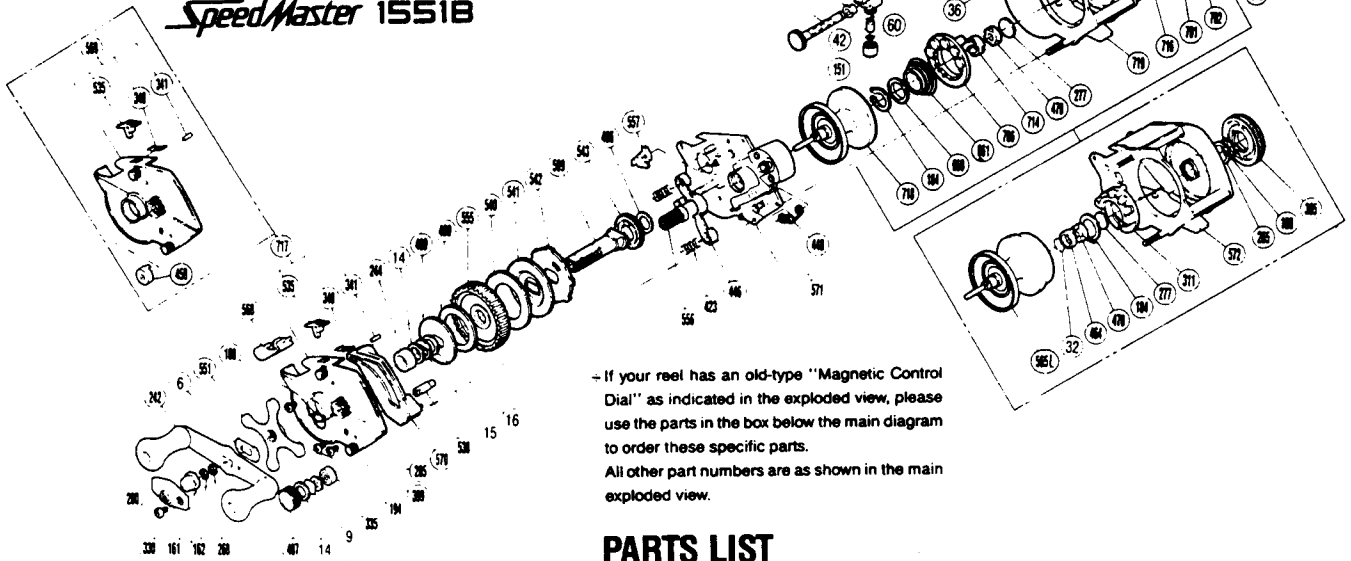
Shimano American Corporation, One Shimano Dr
Irvine, CA 92718



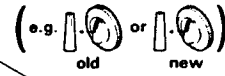
EXPLODED PARTS VIEW

Bantam Magnumlite

SpeedMaster 1551B



✦ Please check the head of the "Magnetic Control Dial" here to see whether you have an old or new-type reel.



- If your reel has an old-type "Magnetic Control Dial" as indicated in the exploded view, please use the parts in the box below the main diagram to order these specific parts.

All other part numbers are as shown in the main exploded view.

PARTS LIST

PART # DESCRIPTION

BNT 0006	Friction Washer (A)
BNT 0009	Spacer (A)
BNT 0014	Friction Washer (B)
BNT 0015	Drag Spring Washer
BNT 0016	Friction Washer (C)
BNT 0032	Bearing Retainer
BNT 0036	Stabilizer Bar Screw (A) (S)
BNT 0040	Level Wind Guard
BNT 0042	Line Guide Pawl
BNT 0044	(Line Guide) Stabilizer Bar
BNT 0045	Worm Bearing (B)
BNT 0060	Spacer (Optional)
BNT 0133	Worm Shaft Retainer
BNT 0151	Pawl Cap
BNT 0161	Handle Nut
BNT 0162	Drive Shaft Retainer
BNT 0184	Magnet Retainer Lock
BNT 0188	O Ring
BNT 0194	Ball Bearing
BNT 0242	Handle (Assembly)
BNT 0244	Bushing (B)
BNT 0265	Spacer (Optional)
BNT 0268	Drive Shaft Washer (A)
BNT 0277	Spacer (B)
BNT 0280	Handle Screw "B"
BNT 0285	Set Plate Screw
BNT 0291	Side Plate Screw

PART # DESCRIPTION

BNT 0292	Stabilizer Bar Screw (B)
BNT 0311	Magnet Retainer (Assembly)
BNT 0330	Handle Nut (Lock) Plate
BNT 0335	Bearing Washer (A)
BNT 0340	Switch Spring
BNT 0341	Switch Spring Lock
BNT 0356	Worm Bearing "A"
BNT 0357	Line Guide (Assembly)
BNT 0365	Magnetic Control Dial
BNT 0399	Retractor Guide Screw (Large Head)
BNT 0423	Yoke Spring
BNT 0446	Yoke
BNT 0448	Retractor Spring
BNT 0458	Bushing "A"
BNT 0464	Bearing Spacer
BNT 0468	Level Wind Protector
BNT 0470	Bushing "C"
BNT 0487	Cast Control Cap
BNT 0489	Key Washer "A"
BNT 0490	Drag Washer
BNT 0496	Drive Shaft Washer "C"
BNT 0509	Drive Shaft
BNT 0535	Anti-Reverse Switch
BNT 0538	Retractor Guide
BNT 0540	Drive Shaft Washer "B"
BNT 0541	Key Washer "B"

PART # DESCRIPTION

BNT 0542	Anti-Reverse Ratchet
BNT 0543	Idle Gear
BNT 0548	Worm Shaft
BNT 0551	Star Drag
BNT 0555	Drive Gear
BNT 0556	Pinion Gear
BNT 0557	Anti-Reverse Pawl
BNT 0565L	Spool (Left Handle)
BNT 0568	Left Side Plate Cover
BNT 0569	Left Side Plate
BNT 0570	Clutch Button Attachment
BNT 0571	Set Plate Assembly
BNT 0572	Frame
BNT 0573	Right Side Plate
BNT 0660	Spring Spacer
BNT 0661	Magnet Retainer Spring
BNT 0701	Thrust Washer Spacer (Optional)
BNT 0702	Dial O Ring
BNT 0706	Magnet Retainer
BNT 0714	Bushing Retainer
BNT 0716	Magnet Control Dial
BNT 0717	Left Side Plate
BNT 0718	Spool
BNT 0719	Frame