

SHIMANO

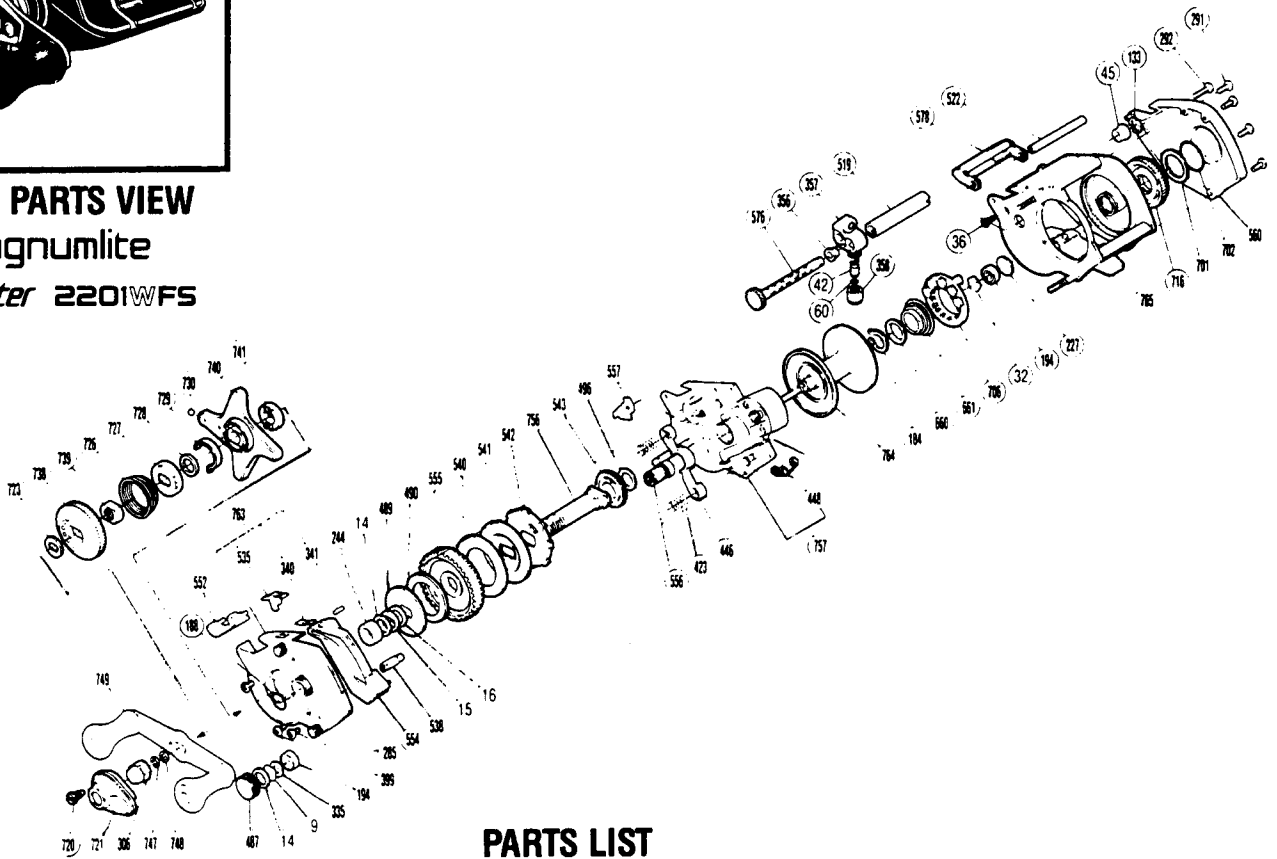
1988 REPAIR MANUAL

Shimano American Corporation, One Shimano Dr
Irvine, CA 92714

EXPLODED PARTS VIEW

Bantam *Magnumlite*

SpeedMaster 2201WFS



PARTS LIST

PART # DESCRIPTION

BNT 0009 Spacer (A)
 BNT 0014 Friction Washer (B)
 BNT 0015 Drag Spring Washer
 BNT 0016 Friction Washer (C)
 BNT 0032 Bearing Retainer
 BNT 0036 Stabilizer Bar Screw (A) (S)
 BNT 0042 Line Guide Pawl
 BNT 0045 Worm Bearing (B)
 BNT 0060 Spacer (Optional)
 BNT 0133 Worm Shaft Retainer
 BNT 0184 Magnet Retainer Lock
 BNT 0188 O Ring
 BNT 0194 Ball Bearing
 BNT 0244 Bushing (B)
 BNT 0277 Spacer (B)
 BNT 0285 Set Plate Screw
 BNT 0291 Side Plate Screw
 BNT 0292 Stabilizer Bar Screw (B)
 BNT 0306 Handle Nut
 BNT 0335 Bearing Washer (A)
 BNT 0340 Switch Spring
 BNT 0341 Switch Spring Lock
 BNT 0356 Worm Bearing "A"
 BNT 0357 Line Guide (Assembly)
 BNT 0358 Pawl Cap
 BNT 0399 Retractor Guide Screw (Large Head)

PART # DESCRIPTION

BNT 0423 Yoke Spring
 BNT 0446 Yoke
 BNT 0448 Retractor Spring
 BNT 0487 Cast Control Cap
 BNT 0489 Key Washer
 BNT 0490 Drag Washer
 BNT 0496 Drive Shaft Washer "C"
 BNT 0519 Level Wind Guard
 BNT 0522 Stabilizer Bar
 BNT 0535 Anti-Reverse Switch
 BNT 0538 Retractor Guide
 BNT 0540 Drive Shaft Washer "B"
 BNT 0541 Key Washer "B"
 BNT 0542 Anti-Reverse Ratchet
 BNT 0543 Idle Gear
 BNT 0552 Left Side Platecover
 BNT 0554 Clutch Button Attachment
 BNT 0555 Drive Gear
 BNT 0556 Pinion Gear
 BNT 0557 Anti-Reverse Pawl
 BNT 0560 Right Side Plate
 BNT 0576 Worm Shaft
 BNT 0578 Level Wind Protector
 BNT 0660 Spring Spacer
 BNT 0661 Magnet Retainer Spring
 BNT 0701 Thrust Washer Spacer (Optional)

PART # DESCRIPTION

BNT 0702 Dial O Ring
 BNT 0706 Magnet Retainer
 BNT 0716 Magnet Control Dial
 BNT 0720 Handle Nut Plate Screw
 BNT 0721 Handle Nut Plate
 BNT 0723 Friction Washer "A"
 BNT 0726 Pre-Set Spring
 BNT 0727 Strike
 BNT 0728 Pre-Set Washer
 BNT 0729 Strike Spring
 BNT 0730 Strike Ball
 BNT 0738 Pre-Set Dial
 BNT 0739 Pre-Set Nut
 BNT 0740 Star Drag
 BNT 0741 Drive Shaft Cam
 BNT 0747 Drive Shaft Retainer
 BNT 0748 Drive Shaft Washer "A"
 BNT 0749 Handle Assembly
 BNT 0756 Drive Shaft
 BNT 0757 Set Plate Assembly
 BNT 0763 Left Side Plate
 BNT 0764 Spool
 BNT 0765 Frame