



SHIMANO

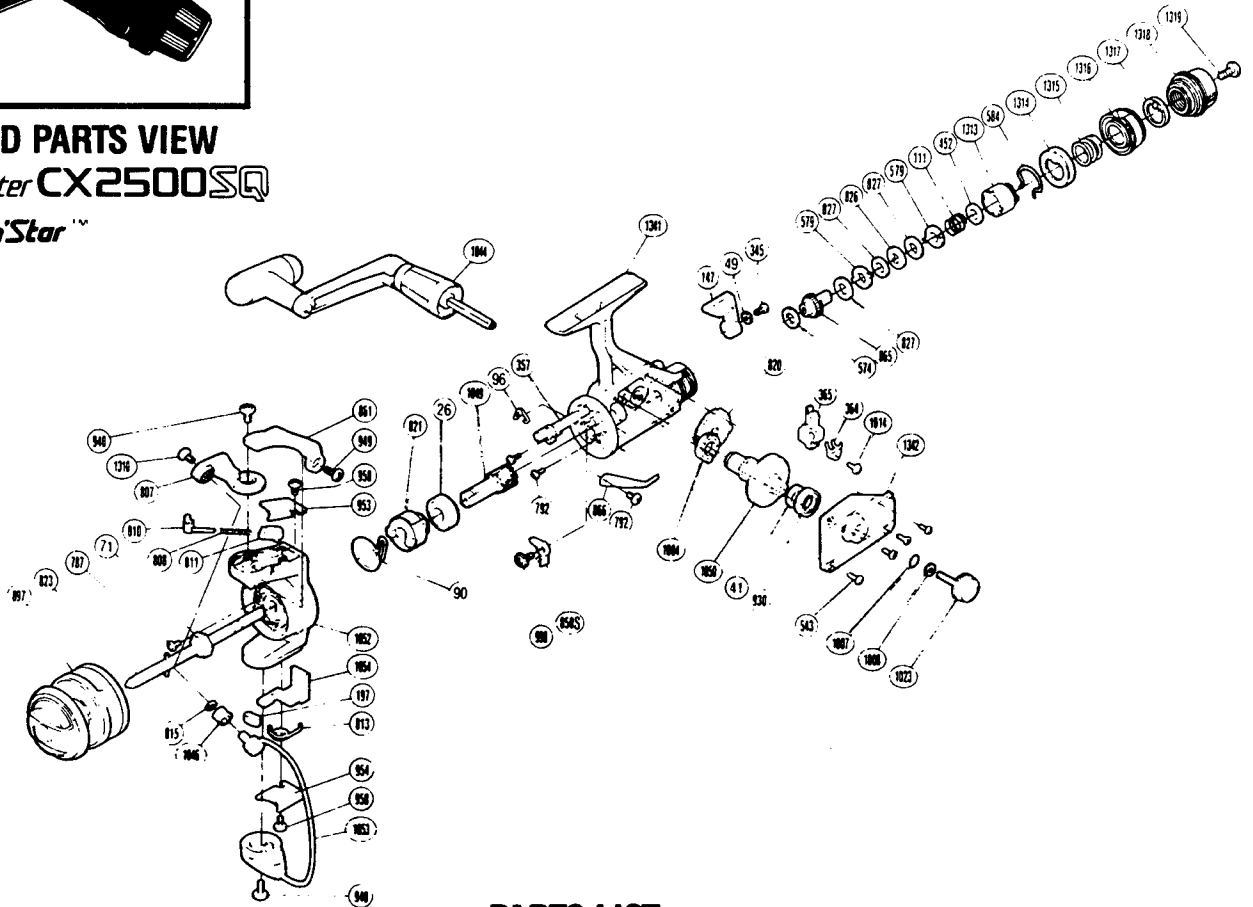
1988 REPAIR MANUAL

Shimano American Corporation, One Shimano Dr
Irvine, CA 92711

EXPLODED PARTS VIEW

SpeedMaster CX2500SQ

with *Fightin'Star*™



PARTS LIST

PART # DESCRIPTION

RD 0026	Bail Bearing
RD 0041	Drive Gear Washer
RD 0049	Lock Washer
RD 0071	Rotor Nut
RD 0090	Anti-Reverse Pawl Spring
RD 0096	Anti-Reverse Cam Spring
RD 0111	Drag (Coil) Spring
RD 0147	Anti-Reverse Lever
RD 0197	Bail Trip Slide Cam
RD 0345	Anti-Reverse Lever Screw
RD 0357	Anti-Reverse Cam
RD 0364	Oscillating Slider Retainer
RD 0365	Oscillating Slider
RD 0452	Drag Spring Washer "A"
RD 0543	Side Cover Screw (B)
RD 0574	Drag Washer "C2" (White)
RD 0579	Eared Washer "B"
RD 0584	Hold Click Spring
RD 0787	Nut Lock Screw
RD 0792	Bearing Retainer Screw
RD 0807	Bail Arm
RD 0808	Bail Spring

PART # DESCRIPTION

RD 0810	Bail Spring Guide A
RD 0811	Bail Spring Guide B
RD 0813	Lever Spring
RD 0815	Line Roller Washer
RD 0820	Oscillating Gear
RD 0821	Anti-Reverse Ratchet
RD 0823	Main Shaft
RD 0826	Key Washer "A"
RD 0827	Drag Washer "H1"
RD 0850S	Anti-Reverse Pawl
RD 0861	Quick-Fire II Trigger
RD 0865	Drag Shaft
RD 0866	Drag Click
RD 0897	Spool Assembly (Universal)
RD 0930	Bail Bearing
RD 0940	Bail Trip Cam Screw
RD 0949	Trigger Screw
RD 0953	Bail Spring Cover
RD 0954	Bail Trip Cover
RD 0958	Bail Trip Cover Screw
RD 0998	Anti-Reverse Pawl Screw
RD 1004	Bushing A

PART # DESCRIPTION

RD 1007	Lock Washer Retainer
RD 1008	Handle Lock Washer
RD 1014	Slider Retainer Screw
RD 1023	Handle Screw Cap
RD 1044	Handle Assembly
RD 1046	Sic Ceramic Roller
RD 1049	Pinion Gear
RD 1050	Drive Gear
RD 1052	Rotor
RD 1053	Bail Assembly
RD 1054	Bail Trip Lever
RD 1310	Line Roller Screw
RD 1313	Pressure Screw
RD 1314	Pre-Set Spring Cover
RD 1315	Pre-Set Spring
RD 1316	Pre-Set Ring
RD 1317	Pre-Set Cam
RD 1318	Drag Knob
RD 1319	Drag Knob Screw
RD 1341	Body
RD 1342	Side Cover