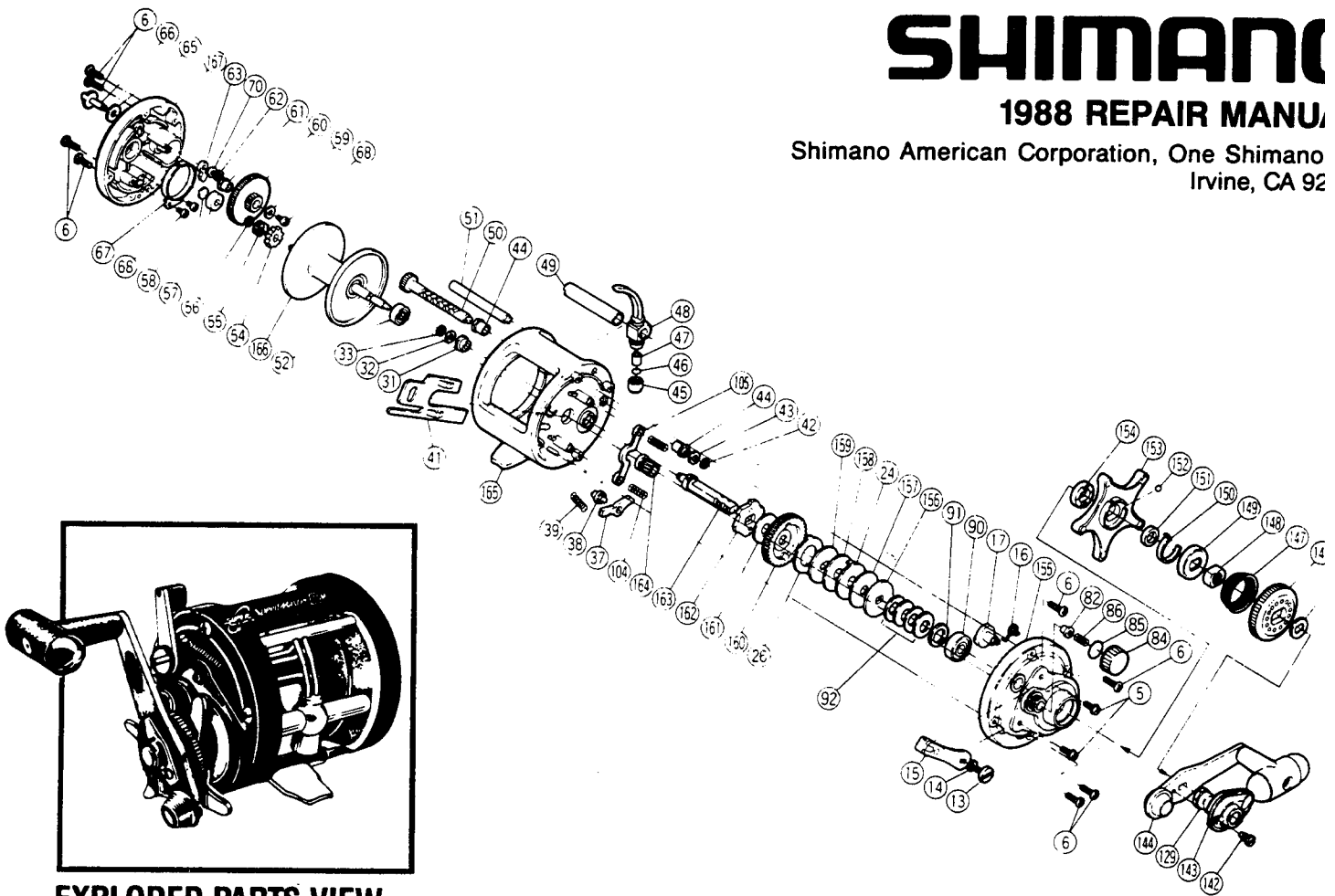


SHIMANO

1988 REPAIR MANU

Shimano American Corporation, One Shimano
Irvine, CA 92



EXPLODED PARTS VIEW

TRITON *SpeedMaster* Levelwinds
TSM100GTFS
with *Fightin' Star*™

PARTS LIST

PART # DESCRIPTION

| | |
|----------|--------------------------|
| TGT 0005 | Right Side Plate Screw |
| TGT 0006 | Side Plate Screw |
| TGT 0013 | Clutch Lever Screw |
| TGT 0014 | Lock Washer |
| TGT 0015 | Clutch Lever |
| TGT 0016 | Clutch Spring |
| TGT 0017 | Clutch Cam |
| TGT 0024 | Eared Washer "E" |
| TGT 0026 | Eared Washer "B" |
| TGT 0031 | Drive Shaft Bushing |
| TGT 0032 | Spacer |
| TGT 0033 | Drive Shaft Retainer |
| TGT 0037 | Anti-Reverse Pawl |
| TGT 0038 | Pawl Supporter |
| TGT 0039 | Anti-Reverse Pawl Spring |
| TGT 0041 | Yoke Plate |
| TGT 0042 | Worm Shaft Retainer |
| TGT 0043 | Worm Shaft Holder Washer |
| TGT 0044 | Worm Bearing |
| TGT 0045 | Pawl Cap |
| TGT 0046 | Spacer |
| TGT 0047 | Line Guide Pawl |
| TGT 0048 | Line Guide |
| TGT 0049 | Level Wind Guard |
| TGT 0050 | Worm Shaft |
| TGT 0051 | Stabilizer Bar |

PART # DESCRIPTION

| | |
|----------|-------------------------|
| TGT 0052 | Ball Bearing |
| TGT 0054 | Click Gear |
| TGT 0055 | Idle Gear "A" |
| TGT 0056 | Idle Gear "A" Retainer |
| TGT 0057 | Spool Shaft Bushing "B" |
| TGT 0058 | Spacer "B" |
| TGT 0059 | Lock Washer |
| TGT 0060 | Idle Gear "B" |
| TGT 0061 | Idle Gear "B" Bushing |
| TGT 0062 | Click Pawl Retainer |
| TGT 0063 | Click Pawl |
| TGT 0065 | Spacer A |
| TGT 0066 | Click Button |
| TGT 0067 | Click Spring |
| TGT 0068 | Click Spring Screw |
| TGT 0070 | Spacer B |
| TGT 0082 | Spool Shaft Bushing |
| TGT 0084 | Cast Control Cap |
| TGT 0085 | Spacer |
| TGT 0086 | Spool Tension Spring |
| TGT 0090 | Ball Bearing |
| TGT 0091 | Bearing Thrust Washer |
| TGT 0092 | Drag Spring Washer |
| TGT 0104 | Yoke Spring |
| TGT 0105 | Yoke |
| TGT 0129 | Handle Nut |

PART # DESCRIPTION

| | |
|----------|------------------------|
| TGT 0142 | Handle Nut Plate Screw |
| TGT 0143 | Handle Nut Plate |
| TGT 0144 | Handle Assembly |
| TGT 0145 | Friction Washer |
| TGT 0146 | Pre-Set Dial |
| TGT 0147 | Pre-Set Spring |
| TGT 0148 | Pre-Set Nut |
| TGT 0149 | Strike |
| TGT 0150 | Strike Spring |
| TGT 0151 | Strike Spacer |
| TGT 0152 | Strike Ball |
| TGT 0153 | Star Drag |
| TGT 0154 | Drive Shaft Cam |
| TGT 0155 | Right Side Plate |
| TGT 0156 | Key Washer "C" |
| TGT 0157 | Drag Washer "G" |
| TGT 0158 | Drag Washer "I" |
| TGT 0159 | Key Washer "F" |
| TGT 0160 | Drive Gear |
| TGT 0161 | Drive Shaft Washer |
| TGT 0162 | Anti-Reverse Ratchet |
| TGT 0163 | Drive Shaft |
| TGT 0164 | Pinion Gear |
| TGT 0165 | Frame |
| TGT 0166 | Spool |
| TGT 0167 | Left Side Plate |