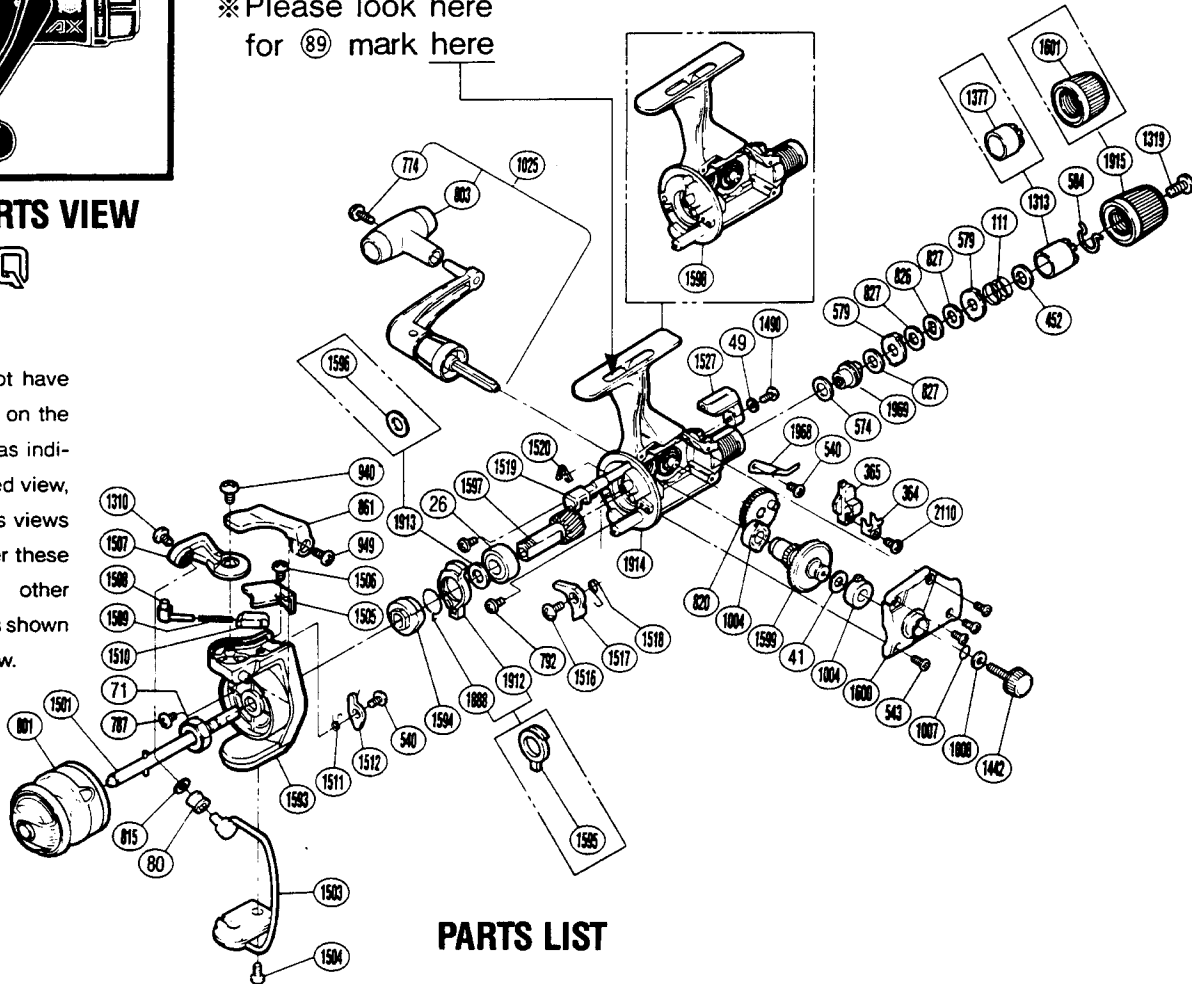


EXPLODED PARTS VIEW
AX200Q

※If your reel does not have an (89) mark molded on the top of the reel foot as indicated in the exploded view, please use the parts views in the boxes to order these specific parts. All other parts numbers are as shown in the exploded view.

※Please look here for (89) mark here



PARTS LIST

PART # DESCRIPTION

- RD 0026 Ball Bearing
- RD 0041 Drive Gear Washer
- RD 0049 Lock Washer
- RD 0071 Rotor Nut
- RD 0080 Line Roller
- RD 0111 Drag (Coil) Spring
- RD 0364 Oscillating Slider Retainer
- RD 0365 Oscillating Slider
- RD 0452 Drag Spring Washer "A"
- RD 0540 Anti-Reverse Pawl Screw
- RD 0543 Side Cover Screw (B)
- RD 0574 Drag Washer "C2" (White)
- RD 0579 Eared Washer "B"
- RD 0584 Hold Click Spring
- RD 0774 Handle Knob Screw
- RD 0787 Nut Lock Screw
- RD 0792 Bearing Retainer Screw
- RD 0801 Spool Assembly (Universal)
- RD 0803 Handle Knob
- RD 0815 Line Roller Washer
- RD 0820 Oscillating Gear
- RD 0826 Key Washer "A"
- RD 0827 Drag Washer "H1"
- RD 0861 Quick-Fire II Trigger

PART # DESCRIPTION

- RD 0940 Bail Trip Cam Screw
- RD 0949 Trigger Screw
- RD 1004 Bushing A
- RD 1007 Lock Washer Retainer
- RD 1008 Handle Lock Washer
- RD 1025 Handle Assembly
- RD 1310 Line Roller Screw
- RD 1313 Pressure Screw
- RD 1319 Drag Knob Screw
- RD 1377 Pressure Screw
- RD 1442 Handle Screw Cap
- RD 1490 Anti-Reverse Lever Screw
- RD 1501 Main Shaft
- RD 1503 Bail Assembly
- RD 1504 Bail Hold Cover Screw
- RD 1505 Bail Spring Cover
- RD 1506 Bail Spring Cover Screw
- RD 1507 Bail Arm
- RD 1508 Bail Spring Guide A
- RD 1509 Bail Spring
- RD 1510 Bail Spring Guide B
- RD 1511 Lever Spring
- RD 1512 Bail Trip Lever

PART # DESCRIPTION

- RD 1516 Anti-Reverse Pawl Screw
- RD 1517 Anti-Reverse Pawl
- RD 1518 Anti-Reverse Pawl Spring
- RD 1519 Anti-Reverse Cam
- RD 1520 Anti-Reverse Cam Spring
- RD 1527 Anti-Reverse Lever
- RD 1593 Rotor
- RD 1594 Anti-Reverse Ratchet
- RD 1595 Anti-Reverse Lock Out
- RD 1596 Bushing Washer
- RD 1597 Pinion Gear
- RD 1598 Body
- RD 1599 Drive Gear
- RD 1600 Side Cover
- RD 1601 Drag Knob
- RD 1888 Anti-Reverse Lock Out Spring
- RD 1912 Anti-Reverse Lock Out
- RD 1913 Bushing Washer
- RD 1914 Body
- RD 1915 Drag Knob
- RD 1968 Drag Click
- RD 1969 Drag Shaft
- RD 2110 Slider Retainer Screw