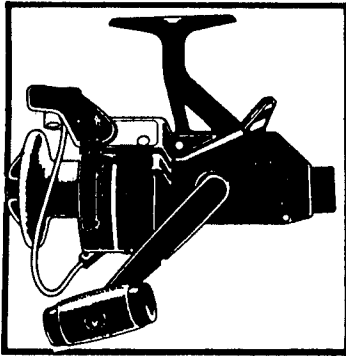


1989 Model



EXPLODED PARTS VIEW
GRAPHITE CONSTRUCTION
BAITRUNNER 350

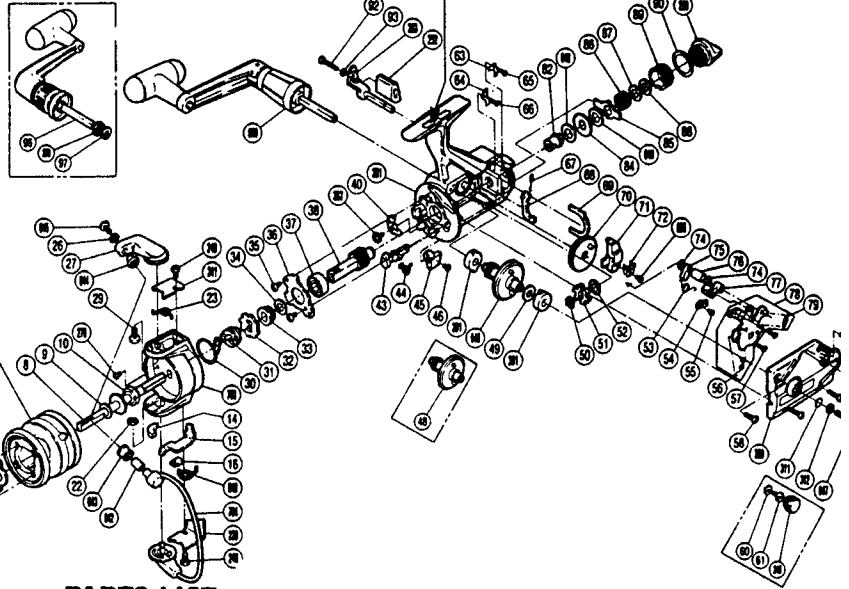
If your reel does not have an (89) mark molded on the top of the reel foot as indicated in the exploded view, please use the parts views in the boxes to order these specific parts. All other parts numbers are as shown in the exploded view.

SHIMANO[®]

1989 REPAIR MANUAL

Shimano American Corporation, One Shimano Dr.
Irvine, CA 92718

※ Please look here for (89) mark here



PARTS LIST

PART # DESCRIPTION

- A 0002 Drag Washers Retainer
- BR 0003 Key Washer
- BR 0004 Drag Washer 1
- BR 0005 Eared Washer
- BR 0006 Drag Washer 2
- BR 0007A Spool Assembly (Universal)
- BR 0008 Main Shaft
- BR 0009 Spool Washer
- BR 0010 Rotor Nut
- BR 0011 Nut Lock Screw
- BR 0012 Rotor Nut Lock Plate
- BR 0014 Bail Trip Slide Cam
- BR 0015 Bail Trip Lever
- BR 0016 Trip Lever Guide
- BR 0017 Lever Spring
- BR 0021 Line Roller
- BR 0022 "E" Lock
- BR 0023 Bail Spring
- BR 0026 Lock Washer
- BR 0027 Bail Arm
- BR 0029 Bail Arm Screw
- BR 0030 Anti-Reverse Pawl Screw
- BR 0031 Anti-Reverse Spring Holder
- BR 0032 Anti-Reverse Ratchet
- BR 0033 Pinion Spacer
- BR 0034 Bushing Washer
- BR 0035 Bearing Retainer Screw
- BR 0036 Bearing Retainer
- BR 0037 Ball Bearing
- BR 0038 Pinion Gear
- BR 0040 Anti-Reverse Pawl
- BR 0043 Anti-Reverse Cam
- BR 0044 Anti-Reverse Cam Spring
- 1 0045 Anti-Reverse Lever
- BR 0046 Anti-Reverse Lever Screw
- BR 0048 Drive Gear
- BR 0049 Drive Gear Washer
- BR 0050 "C" Lock
- BR 0051 Baitrunner Ratchet

PART # DESCRIPTION

- BR 0052 Ratchet Spacer
- BR 0053 Clutch Spring
- BR 0054 Lever Shaft Retainer
- BR 0055 Shaft Retainer Screw
- BR 0056 Clutch Pawl Spring
- BR 0057 Clutch Plate Screw
- BR 0058 Side Cover Screw A
- BR 0060 Handle Lock Washer
- BR 0061 Handle Lock Screw
- BR 0063 Dial Click
- BR 0064 Baitrunner Pawl Guide
- BR 0065 Dial Click Screw
- BR 0066 Pawl Guide Screw
- BR 0067 Baitrunner Pawl Spring
- BR 0068 Baitrunner Pawl
- BR 0069 Dial Retainer
- BR 0070 Oscillating Gear
- BR 0071 Oscillating Slider
- BR 0072 Oscillating Slider Retainer
- BR 0074 Clutch Cam Spacer B
- BR 0075 Clutch Cam
- BR 0076 Clutch Cam Spacer A
- BR 0077 Clutch Arm
- BR 0078 Clutch Plate Assembly
- BR 0079 Baitrunner Click Spring
- BR 0080 Side Cover Screw B
- BR 0082 Free Spool Tension Shaft
- BR 0084 Click Gear
- BR 0085 Eared Washer "BFS"
- BR 0086 Free Spool Tension Spring
- BR 0087 Tension Spring Washer "A"
- BR 0088 Tension Spring Washer "B"
- BR 0089 Free Spool Tension Screw
- BR 0090 Dial Spacer
- BR 0092 Baitrunner Lever Screw
- BR 0093 Lock Washer
- BR 0096 Handle Assembly
- BR 0097 Handle Lock Spacer
- BR 0238 Bail Assembly

PART # DESCRIPTION

- BR 0239 Bail Trip Cover
- BR 0240 Bail Trip Cover Screw
- BR 0241 Bail Spring Cover
- BR 0242 Line Roller Screw
- BR 0243 Line Roller Washer
- BR 0248 Handle Screw Cap
- BR 0250 Baitrunner Tension Dial
- BR 0252 Baitrunner Lever Bridge
- BR 0278 Nut Lock Screw
- BR 0301 Bushing
- BR 0311 Lock Washer Retainer
- BR 0312 Handle Lock Washer
- BR 0354 Drag Knob
- BR 0363 Anti-Reverse Pawl Screw
- BR 0379 Handle Lock Ring
- BR 0380 Side Cover
- BR 0381 Body
- BR 0382 Baitrunner Lever Arm (L)
- BR 0383 Baitrunner Lever Arm (R)
- BR 0404 Rotor
- BR 0636 Seal Plate Screw
- BR 0637 Seal Plate
- BR 0640 Lever Spring
- BR 0642 Line Roller Bushing
- BR 0643 Line Roller
- BR 0644 Line Roller Washer
- BR 0645 Line Roller Screw
- BR 0646 Drive Gear
- BR 0647 Handle Screw Cap
- BR 0648 Free Spool Tension Washer (A)
- BR 0649 Free Spool Tension Washer (B)
- BR 0650 Handle Assembly
- BR 0685 Slider Retainer Screw
- BR 0686 Eared Washer
- BR 0701 Drag Knob
- BR 0702 Spool Assembly
- BR 0703 Rotor
- BR 0704 Bail Assembly

Prices and specifications subject to change without notice.

OCTOBER, 1988

'89-41