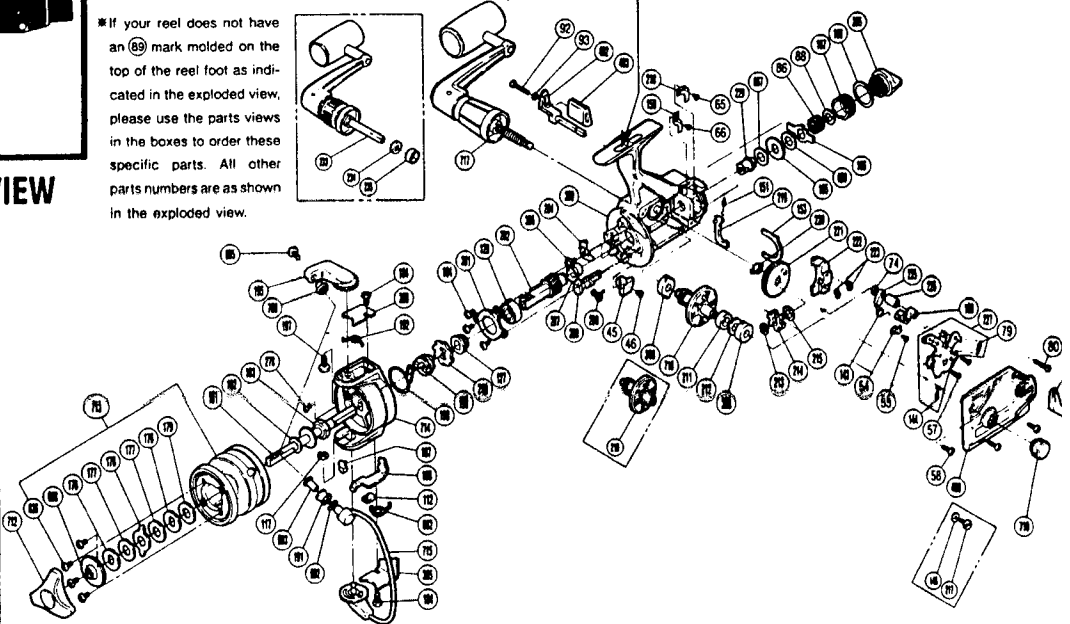
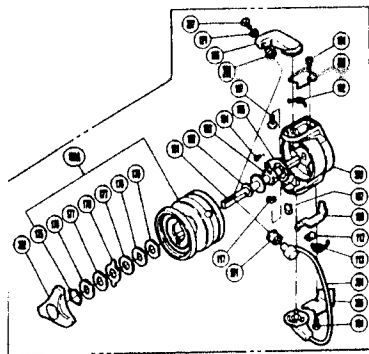


EXPLODED PARTS VIEW
GRAPHITE CONSTRUCTION
BAITRUNNER

650



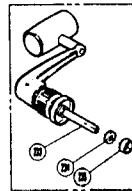
SHIMANO®

1989 REPAIR MANUAL

Shimano American Corporation, One Shimano Dr.
Irvine, CA 92718

※ Please look here for (89) mark here

※ If your reel does not have an (89) mark molded on the top of the reel foot as indicated in the exploded view, please use the parts views in the boxes to order these specific parts. All other parts numbers are as shown in the exploded view.



PARTS LIST

PART # DESCRIPTION

- BR 0045 Anti-Reverse Lever
- BR 0046 Anti-Reverse Lever Screw
- BR 0054 Lever Shaft Retainer
- BR 0055 Shaft Retainer Screw
- BR 0057 Clutch Plate Screw
- BR 0058 Side Cover Screw A
- BR 0065 Dial Click Screw
- BR 0066 Pawl Guide Screw
- BR 0074 Clutch Cam Spacer B
- BR 0079 Baitrunner Click Spring
- BR 0080 Side Cover Screw B
- BR 0086 Free Spool Tension Spring
- BR 0088 Tension Spring Washer "B"
- BR 0092 Baitrunner Lever Screw
- BR 0093 Lock Washer
- BR 0112 Trip Lever Guide
- BR 0113 Lever Spring
- BR 0117 "E" Lock
- BR 0121 Lock Washer
- BR 0127 Pinion Spacer
- BR 0129 Ball Bearing
- BR 0143 Clutch Spring
- BR 0144 Clutch Pawl Spring
- BR 0146 Handle Lock Washer
- BR 0150 Baitrunner Pawl Guide
- BR 0151 Baitrunner Pawl Spring
- BR 0153 Dial Retainer
- BR 0160 Clutch Arm
- BR 0165 Click Gear
- BR 0166 Eared Washer "BFS"
- BR 0167 Free Spool Tension Screw
- BR 0168 Dial Spacer
- BR 0175 Drag Washers Retainer
- BR 0176 Key Washer
- BR 0177 Drag Washer 1
- BR 0178 Eared Washer
- BR 0179 Drag Washer 2

PART # DESCRIPTION

- BR 0180A Spool Assembly (Universal)
- BR 0181 Main Shaft
- BR 0182 Spool Washer
- BR 0183 Rotor Nut
- BR 0184 Multi Purpose Screw
- BR 0185 Rotor Nut Lock Plate
- BR 0187 Bail Trip Slide Cam
- BR 0188 Bail Trip Lever
- BR 0191 Line Roller
- BR 0192 Bail Spring
- BR 0195 Bail Arm
- BR 0197 Bail Arm Screw
- BR 0198 Anti-Reverse Pawl Spring
- BR 0199 Anti-Reverse Spring Holder
- BR 0200 Anti-Reverse Ratchet
- BR 0201 Bearing Retainer
- BR 0202 Pinion Gear
- BR 0204 Anti-Reverse Pawl
- BR 0207 Pinion Gear Bushing
- BR 0208 Anti-Reverse Cam
- BR 0209 Anti-Reverse Cam Spring
- BR 0210 Drive Gear
- BR 0211 Drive Gear Spacer
- BR 0212 Drive Gear Washer
- BR 0213 "C" Lock
- BR 0214 Baitrunner Ratchet
- BR 0215 Ratchet Spacer
- BR 0217 Handle Lock Screw
- BR 0218 Dial Click
- BR 0219 Baitrunner Pawl
- BR 0220 Oscillating Gear Bushing
- BR 0221 Oscillating Gear
- BR 0222 Oscillating Slider
- BR 0223 "C" Lock
- BR 0225 Clutch Cam
- BR 0226 Clutch Cam Spacer A
- BR 0227 Clutch Plate Assembly

PART # DESCRIPTION

- BR 0229 Free Spool Tension Shaft
- BR 0233 Handle Assembly
- BR 0234 Handle Lock Spacer
- BR 0235 Handle Lock Ring
- BR 0265 Baitrunner Tension Dial
- BR 0278 Nut Lock Screw
- BR 0386 Anti-Reverse Pawl Screw
- BR 0388 Bushing
- BR 0392 Drag Knob
- BR 0393 Rotor
- BR 0394 Bail Assembly
- BR 0395 Bail Trip Cover
- BR 0396 Bail Spring Cover
- BR 0397 Line Roller Screw
- BR 0398 Line Roller Washer
- BR 0399 Body
- BR 0400 Side Cover
- BR 0401 Baitrunner Lever Arm (L)
- BR 0402 Baitrunner Lever Arm (R)
- BR 0403 Baitrunner Lever Bridge
- BR 0636 Seal Plate Screw
- BR 0662 Lever Spring
- BR 0667 Free Spool Tension Washer (A)
- BR 0668 Free Spool Tension Washer (B)
- BR 0688 Seal Plate
- BR 0692 Line Roller Spacer
- BR 0693 Line Roller Bushing
- BR 0695 Line Roller Screw
- BR 0700 Line Roller Washer
- BR 0710 Handle Screw Cap
- BR 0712 Drag Knob
- BR 0713 Spool Assembly
- BR 0714 Rotor
- BR 0715 Bail Assembly
- BR 0716 Drive Gear
- BR 0717 Handle Assembly