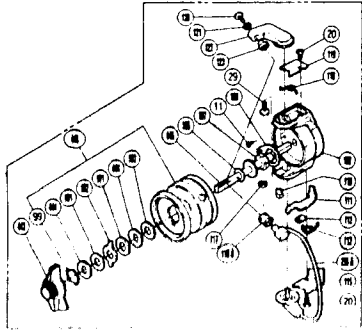
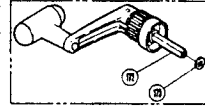


EXPLODED PARTS VIEW

TRIMON GRAPHITE CONSTRUCTION
Baitrunner Plus 4500
 US



* If your reel does not have an (89) mark molded on the top of the reel foot as indicated in the exploded view, please use the parts view in the box to order these specific parts. All other parts numbers are as shown in the exploded view.

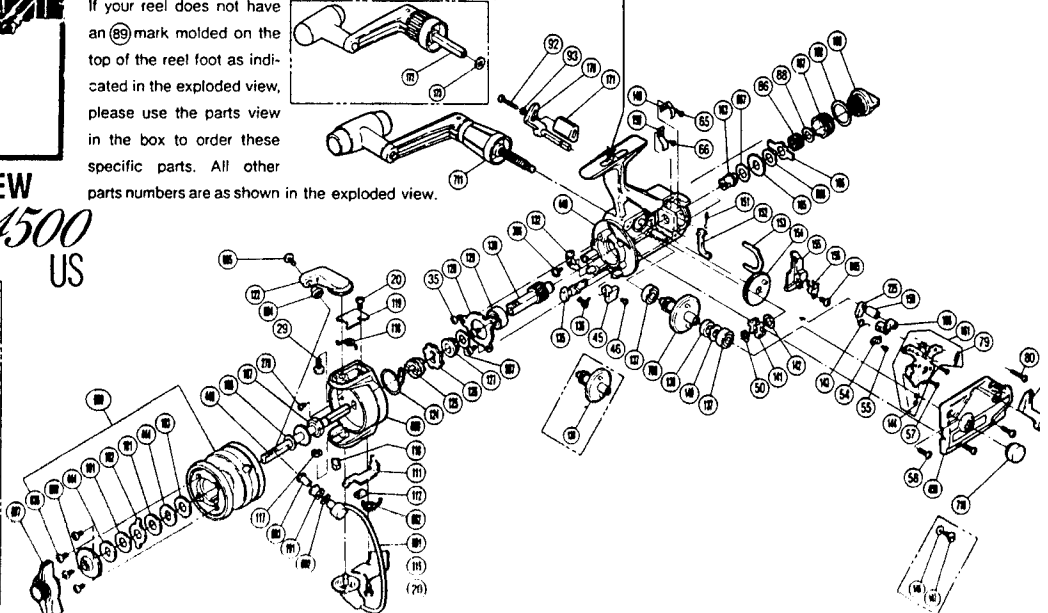


SHIMANO

1989 REPAIR MANUAL

Shimano American Corporation, One Shimano Dr.
 Irvine, CA 92718

※ Please look here for (89) mark here



PARTS LIST

PART #	DESCRIPTION
BR 0011	Nut Lock Screw
BR 0020	Bail Trip Cover Screw
BR 0029	Bail Arm Screw
BR 0035	Bearing Retainer Screw
BR 0045	Anti-Reverse Lever
BR 0046	Anti-Reverse Lever Screw
BR 0050	"C" Lock
BR 0054	Lever Shaft Retainer
BR 0055	Shaft Retainer Screw
BR 0057	Clutch Plate Screw
BR 0058	Side Cover Screw A
BR 0065	Dial Click Screw
BR 0066	Pawl Guide Screw
BR 0079	Baitrunner Click Spring
BR 0080	Side Cover Screw B
BR 0086	Free Spool Tension Spring
BR 0088	Tension Spring Washer "B"
BR 0092	Baitrunner Lever Screw
BR 0093	Lock Washer
BR 0099	Drag Washers Retainer
BR 0101	Drag Washer 1
BR 0102	Eared Washer
BR 0103	Drag Washer 2
BR 0106	Spool Washer
BR 0107	Rotor Nut
BR 0108	Rotor Nut Lock Plate
BR 0109	Rotor
BR 0110	Bail Trip Side Cam
BR 0111	Bail Trip Lever
BR 0112	Trip Lever Guide
BR 0113	Lever Spring
9R 0115	Bail Trip Cover
R 0116A	Line Roller
BR 0117	"E" Lock
BR 0118	Bail Spring
BR 0119	Bail Spring Cover
BR 0120	Line Roller Screw

PART #	DESCRIPTION
BR 0121	Lock Washer
BR 0122	Bail Arm
BR 0123	Line Roller Washer
BR 0124	Anti-Reverse Pawl Spring
BR 0125	Anti-Reverse Spring Holder
BR 0126	Anti-Reverse Ratchet
BR 0127	Pinion Spacer
BR 0128	Bearing Retainer
BR 0129	Ball Bearing
BR 0130	Pinion Gear
BR 0132	Anti-Reverse Pawl
BR 0135	Anti-Reverse Cam
BR 0136	Anti-Reverse Cam Spring
BR 0137	Ball Bearing
BR 0138	Drive Gear
BR 0139	Drive Gear Spacer
BR 0140	Drive Gear Washer
BR 0141	Baitrunner Ratchet
BR 0142	Ratchet Spacer
BR 0143	Clutch Spring
BR 0144	Clutch Pawl Spring
BR 0146	Handle Lock Washer
BR 0147	Handle Lock Screw
BR 0149	Dial Click
BR 0150	Baitrunner Pawl Guide
BR 0151	Baitrunner Pawl Spring
BR 0152	Baitrunner Pawl
BR 0153	Dial Retainer
BR 0154	Oscillating Gear
BR 0155	Oscillating Slider
BR 0156	Oscillating Slider Retainer
BR 0159	Clutch Cam Spacer
BR 0160	Clutch Arm
BR 0161	Clutch Plate Assembly
BR 0162	Baitrunner Lever Arm (L)
BR 0163	Free Spool Tension Shaft
BR 0165	Click Gear

PART #	DESCRIPTION
BR 0166	Eared Washer "BFS"
BR 0167	Free Spool Tension Screw
BR 0168	Dial Spacer
BR 0169	Baitrunner Tension Dial
BR 0170	Baitrunner Lever Arm (R)
BR 0171	Baitrunner Lever Bridge
BR 0172	Handle Assembly
BR 0173	Handle Lock Spacer
BR 0191	Line Roller
BR 0225	Clutch Cam
BR 0255A	Bail Assembly
BR 0278	Nut Lock Screw
BR 0386	Anti-Reverse Pawl Screw
BR 0443	Fightin' Drag Knob
BR 0444	Key Washer
BR 0445	Spool Assembly
BR 0446	Main Shaft
BR 0449	Body
BR 0450	Side Cover
BR 0636	Seal Plate Screw
BR 0662	Lever Spring
BR 0667	Free Spool Tension Washer (A)
BR 0668	Free Spool Tension Washer (B)
BR 0685	Slider Retainer Screw
BR 0687	Fightin' Drag Knob
BR 0688	Seal Plate
BR 0689	Spool Assembly
BR 0690	Rotor
BR 0691	Bail Assembly
BR 0692	Line Roller Spacer
BR 0693	Line Roller Bushing
BR 0694	Line Roller Washer
BR 0695	Line Roller Screw
BR 0709	Drive Gear
BR 0710	Handle Screw Cap
BR 0711	Handle Assembly
BR 0897	Bushing Washer