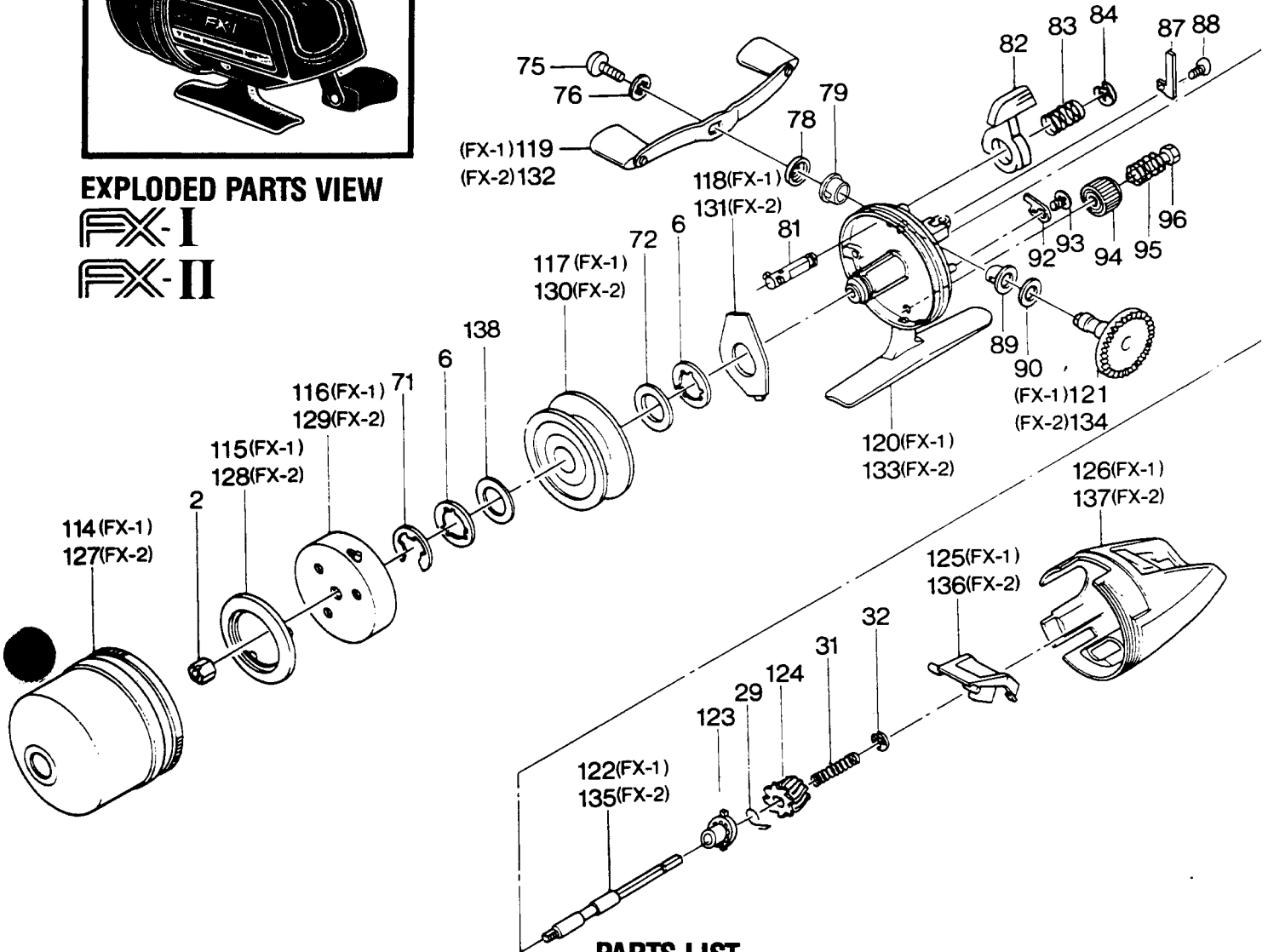


**EXPLODED PARTS VIEW**

**FX-I**  
**FX-II**



**PARTS LIST**

**PART # DESCRIPTION**

- SP 0002 Rotor Nut
- SP 0006 Key Washer 1
- SP 0029 Anti-Reverse Pawl Spring
- SP 0031 Main Shaft Spring
- SP 0032 Main Shaft Spring Retainer
- SP 0071 Spool Retainer
- SP 0072 Drag Washer 1
- SP 0075 Handle Lock Screw
- SP 0076 Handle Lock Washer
- SP 0078 Drive Gear Shaft Cover
- SP 0079 Drive Gear Bushing (A)
- SP 0081 Drag Shaft
- SP 0082 Drag Lever
- SP 0083 Drag Spring
- SP 0084 "E" Lock
- SP 0087 Drag Lever Click Spring
- SP 0088 Click Spring Screw

**PART # DESCRIPTION**

- SP 0089 Drive Gear Bushing (B)
- SP 0090 Drive Gear Washer
- SP 0092 Anti-Reverse Pawl
- SP 0093 Anti-Reverse Pawl Screw
- SP 0094 Drag Dial
- SP 0095 Drag Dial Spring
- SP 0096 Drag Screw
- SP 0114 Front Cover
- SP 0115 Line Shubber
- SP 0116 Rotor
- SP 0117 Spool
- SP 0118 Drag Plate
- SP 0119 Handle Assembly
- SP 0120 Body
- SP 0121 Drive Gear
- SP 0122 Main Shaft

**PART # DESCRIPTION**

- SP 0123 Main Shaft Bushing
- SP 0124 Pinion Gear
- SP 0125 Push Button
- SP 0126 Rear Housing
- SP 0127 Front Cover
- SP 0128 Line Shubber
- SP 0129 Rotor
- SP 0130 Spool
- SP 0131 Drag Plate
- SP 0132 Handle Assembly
- SP 0133 Body
- SP 0134 Drive Gear
- SP 0135 Main Shaft
- SP 0136 Push Button
- SP 0137 Rear Housing
- SP 0138 Drag Washer 2

# SHIMANO

## 1989 REPAIR MANUAL

Shimano American Corporation, One Shimano D  
Irvine, CA 9271