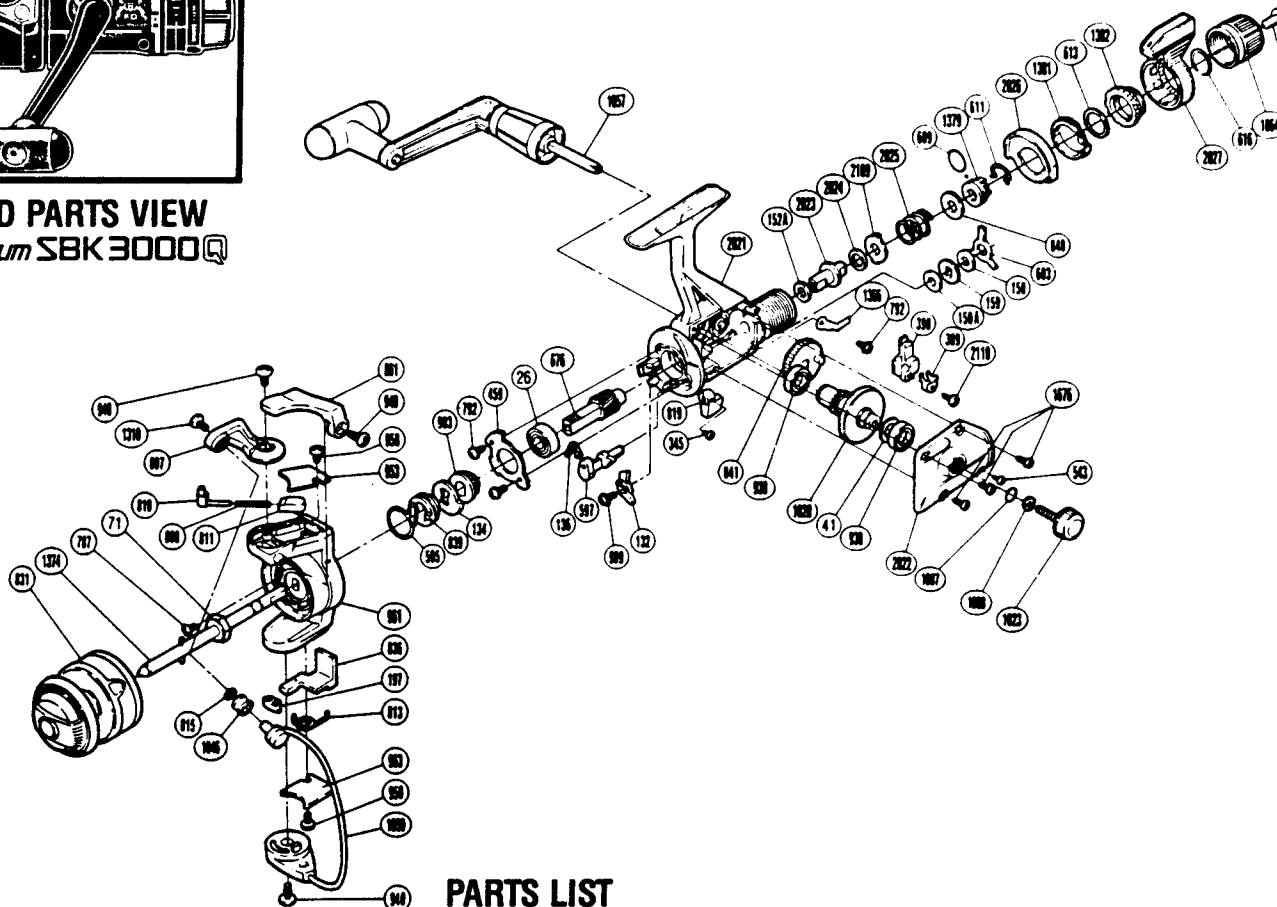


**EXPLODED PARTS VIEW**  
Black Magnum SBK 3000

# SHIMANO<sup>®</sup>

## 1989 REPAIR MANUAL

Shimano American Corporation, One Shimano Dr.  
Irvine, CA 92718



### PARTS LIST

#### PART # DESCRIPTION

RD 0026	Ball Bearing
RD 0041	Drive Gear Washer
RD 0071	Rotor Nut
RD 0132	Anti-Reverse Pawl Assembly
RD 0134	Anti-Reverse Ratchet
RD 0136	Anti-Reverse Cam Spring
RD 0150	Drag Washer "C1" (Black)
RD 0150A	Drag Washer "C2" (White)
RD 0152A	Drag Washer "D2" (White)
RD 0159	Click Gear
RD 0197	Bail Trip Slide Cam
RD 0345	Anti-Reverse Lever Screw
RD 0389	Oscillating Slider Retainer
RD 0390	Oscillating Slider
RD 0459	Bearing Retainer
RD 0543	Side Cover Screw (B)
RD 0595	Anti-Reverse Pawl Spring
RD 0597	Anti-Reverse Cam
RD 0603	Eared Washer "BF"
RD 0609	"O" Ring
RD 0611	Hold Click Spring
RD 0613	Fightin' Pressure Screw Washer
RD 0616	Lever Hold Spring
RD 0676	Pinion Gear

#### PART # DESCRIPTION

RD 0787	Nut Lock Screw
RD 0792	Bearing Retainer Screw
RD 0807	Bail Arm
RD 0808	Bail Spring
RD 0810	Bail Spring Guide A
RD 0811	Bail Spring Guide B
RD 0813	Lever Spring
RD 0815	Line Roller Washer
RD 0819	Anti-Reverse Lever (Black)
RD 0831	Spool Assembly (Universal)
RD 0836	Bail Trip Lever
RD 0839	Anti-Reverse Spring Holder
RD 0841	Oscillating Gear
RD 0848	Drag Spring Washer "A"
RD 0861	Quick-Fire II Trigger
RD 0903	Pinion Spacer
RD 0930	Ball Bearing
RD 0940	Bail Trip Cam Screw
RD 0949	Trigger Screw
RD 0953	Bail Spring Cover
RD 0958	Bail Trip Cover Screw
RD 0961	Rotor
RD 0963	Bail Trip Cover
RD 0999	Anti-Reverse Pawl Screw
RD 1007	Lock Washer Retainer

#### PART # DESCRIPTION

RD 1008	Handle Lock Washer
RD 1020	Drive Gear
RD 1023	Handle Screw Cap
RD 1046	Sic Ceramic Roller
RD 1057	Handle Assembly
RD 1059	Bail Assembly
RD 1064	Drag Knob
RD 1310	Line Roller Screw
RD 1319	Drag Knob Screw
RD 1366	Drag Click
RD 1374	Main Shaft
RD 1379	Pressure Screw
RD 1381	Lever Click Gear
RD 1382	Fightin' Pressure Screw
RD 1676	Side Cover Screw
RD 2021	Body
RD 2022	Side Cover
RD 2023	Drag Shaft
RD 2024	Drag Washer "H2" (White)
RD 2025	Drag Coil Spring
RD 2026	Lever Quadrant
RD 2027	Fightin' Drag II Lever
RD 2109	Eared Washer "B"
RD 2110	Slider Retainer Screw