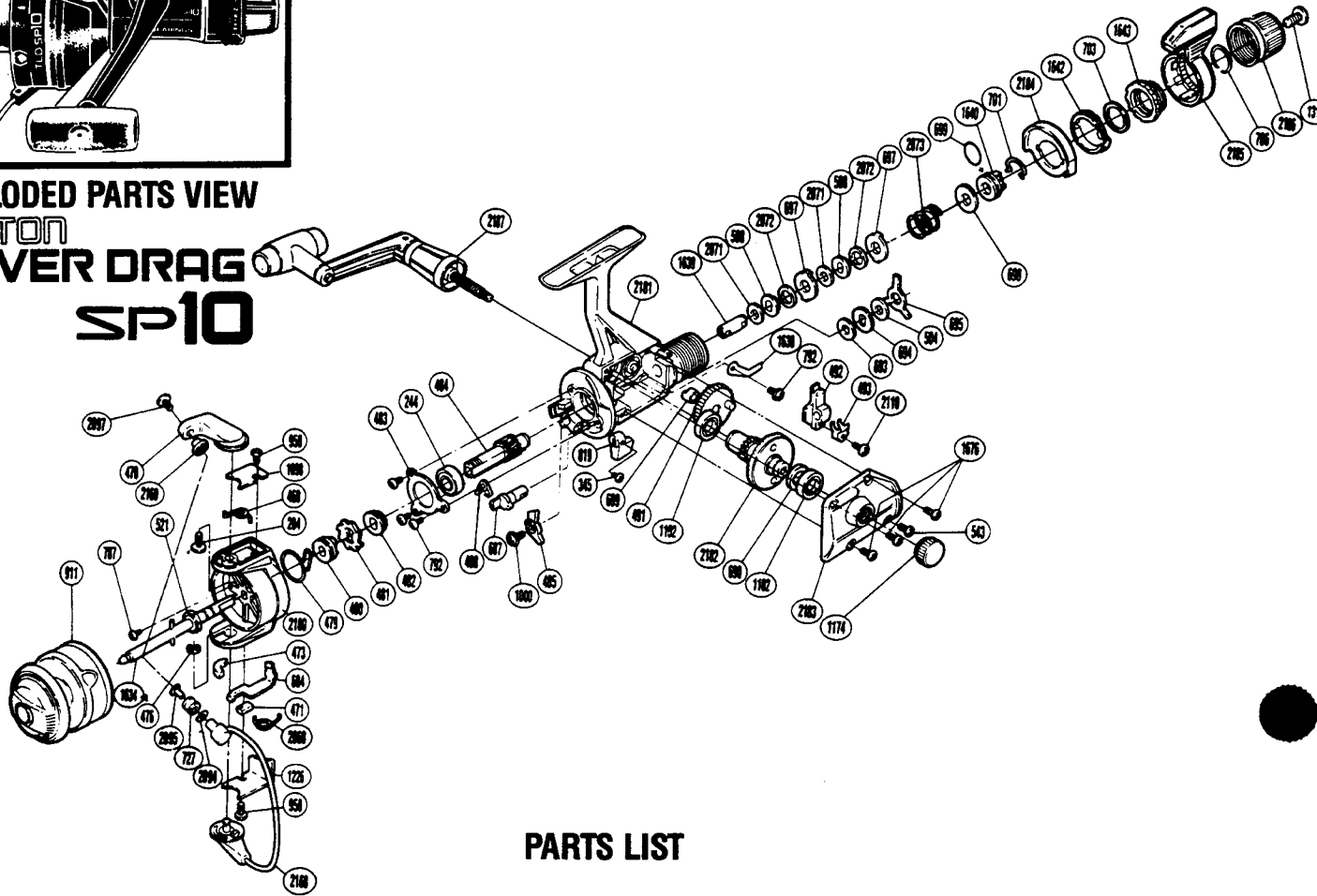


# SHIMANO®

## 1989 REPAIR MANUAL

Shimano American Corporation, One Shimano Dr.  
Irvine, CA 92718

### EXPLODED PARTS VIEW TRITON LEVER DRAG SP10



### PARTS LIST

**PART # DESCRIPTION**

- RD 0204 Bail Arm Screw
- RD 0244 Ball Bearing
- RD 0345 Anti-Reverse Lever Screw
- RD 0468 Bail Spring
- RD 0470 Bail Arm
- RD 0471 Trip Lever Guide
- RD 0473 Bail Trip Slide Cam
- RD 0476 "E" Lock
- RD 0479 Anti-Reverse Pawl Spring
- RD 0480 Anti-Reverse Spring Holder
- RD 0481 Anti-Reverse Ratchet
- RD 0482 Pinion Spacer
- RD 0483 Bearing Retainer
- RD 0484 Pinion Gear
- RD 0485 Anti-Reverse Pawl Assembly
- RD 0488 Anti-Reverse Cam Spring
- RD 0491 Oscillating Gear Assembly
- RD 0492 Oscillating Slider
- RD 0493 Oscillating Slider Retainer
- RD 0504 Drag Washer "C" (Black)
- RD 0508 Key Washer "A"
- RD 0521 Rotor Nut
- RD 0543 Side Cover Screw (B)
- RD 0684 Bail Trip Lever
- RD 0687 Anti-Reverse Cam

**PART # DESCRIPTION**

- RD 0689 Oscillating Gear Bushing
- RD 0690 Drive Gear Washer
- RD 0693 Drag Washer "C2" (White)
- RD 0694 Click Gear
- RD 0695 Eared Washer "BF"
- RD 0697 Eared Washer "B"
- RD 0698 Drag Spring Washer "A"
- RD 0699 "O" Ring
- RD 0701 Hold Click Spring
- RD 0703 Fightin' Pressure Screw Washer
- RD 0706 Lever Hold Spring
- RD 0727 Line Roller
- RD 0787 Nut Lock Screw
- RD 0792 Bearing Retainer Screw
- RD 0819 Anti-Reverse Lever (Black)
- RD 0911 Spool Assembly (Universal)
- RD 0958 Bail Trip Cover Screw
- RD 1000 Anti-Reverse Pawl Screw
- RD 1098 Bail Spring Cover
- RD 1102 Ball Bearing
- RD 1174 Handle Screw Cap
- RD 1226 Bail Trip Cover
- RD 1319 Drag Knob Screw
- RD 1634 Main Shaft
- RD 1638 Drag Click

**PART # DESCRIPTION**

- RD 1639 Drag Shaft
- RD 1640 Pressure Screw
- RD 1642 Lever Click Gear
- RD 1643 Fightin' Pressure Screw
- RD 1676 Side Cover Screw
- RD 2068 Lever Spring
- RD 2071 Drag Washer "D1"
- RD 2072 Drag Washer "F2"
- RD 2073 Drag Coil Spring
- RD 2094 Line Roller Spacer
- RD 2095 Line Roller Bushing
- RD 2097 Line Roller Screw
- RD 2110 Slider Retainer Screw
- RD 2168 Bail Assembly
- RD 2169 Line Roller Washer
- RD 2180 Rotor
- RD 2181 Body
- RD 2182 Drive Gear
- RD 2183 Side Cover
- RD 2184 Lever Quadrant
- RD 2185 Fightin' Drag II Lever
- RD 2186 Drag Programmer
- RD 2187 Handle Assembly