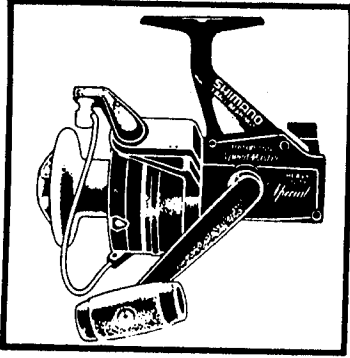
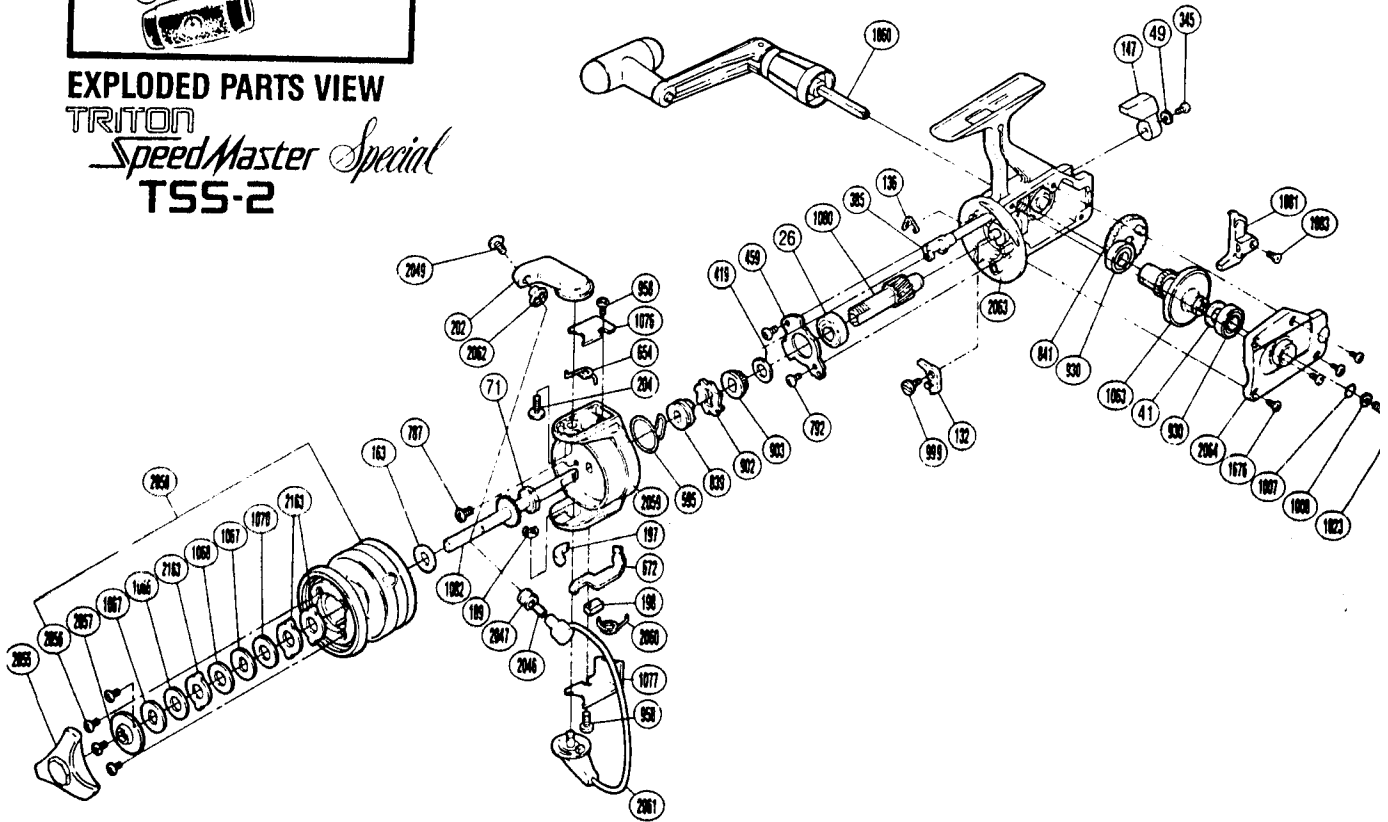


1989 Model



EXPLODED PARTS VIEW
TRITON
SpeedMaster Special
TSS-2



PARTS LIST

PART # DESCRIPTION

- RD 0026 Ball Bearing
- RD 0041 Drive Gear Washer
- RD 0049 Lock Washer
- RD 0071 Rotor Nut
- RD 0132 Anti-Reverse Pawl Assembly
- RD 0136 Anti-Reverse Cam Spring
- RD 0147 Anti-Reverse Lever
- RD 0163 Spool Washer
- RD 0189 "E" Lock
- RD 0197 Bail Trip Slide Cam
- RD 0198 Trip Lever Guide
- RD 0202 Bail Arm
- RD 0204 Bail Arm Screw
- RD 0345 Anti-Reverse Lever Screw
- RD 0385 Anti-Reverse Cam
- RD 0419 Bushing Washer (B)
- RD 0459 Bearing Retainer
- RD 0595 Anti-Reverse Pawl Spring
- RD 0654 Bail Spring
- RD 0672 Bail Trip Lever

PART # DESCRIPTION

- RD 0787 Nut Lock Screw
- RD 0792 Bearing Retainer Screw
- RD 0839 Anti-Reverse Spring Holder
- RD 0841 Oscillating Gear
- RD 0902 Anti-Reverse Ratchet
- RD 0903 Pinion Spacer
- RD 0930 Ball Bearing
- RD 0958 Bail Trip Cover Screw
- RD 0999 Anti-Reverse Pawl Screw
- RD 1007 Lock Washer Retainer
- RD 1008 Handle Lock Washer
- RD 1023 Handle Screw Cap
- RD 1063 Drive Gear
- RD 1067 Key Washer
- RD 1068 Drag Washer 1
- RD 1070 Drag Washer 2
- RD 1076 Bail Spring Cover
- RD 1077 Bail Trip Cover
- RD 1080 Pinion Gear
- RD 1081 Oscillating Slider

PART # DESCRIPTION

- RD 1082 Main Shaft
- RD 1083 Slider Retainer Screw
- RD 1676 Side Cover Screw
- RD 1860 Handle Assembly
- RD 2046 Line Roller Bushing
- RD 2047 Line Roller
- RD 2049 Line Roller Screw
- RD 2055 Drag Knob
- RD 2056 Seal Plate Screw
- RD 2057 Seal Plate
- RD 2058 Spool Assembly
- RD 2059 Rotor
- RD 2060 Lever Spring
- RD 2061 Bail Assembly
- RD 2062 Line Roller Washer
- RD 2063 Body
- RD 2064 Side Cover
- RD 2163 Eared Washer

Prices and specifications subject to change without notice.