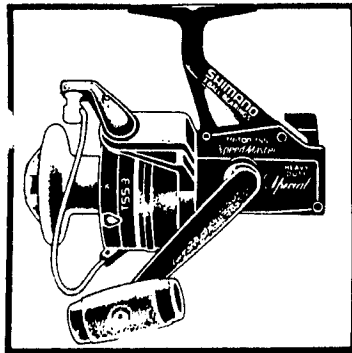
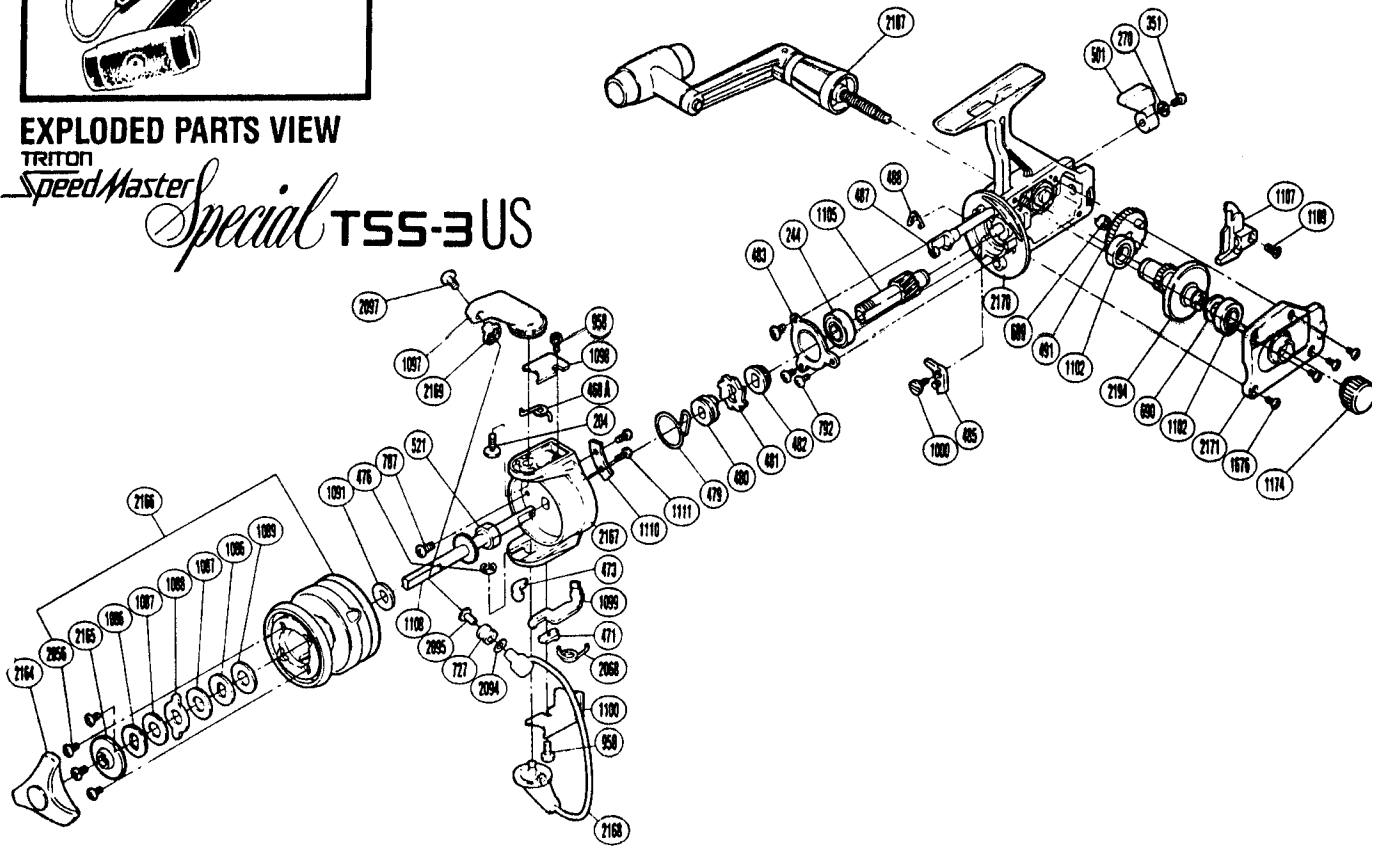


1989 Model



EXPLODED PARTS VIEW

TRITON
SpeedMaster
Special TSS-3US



PARTS LIST

PART # DESCRIPTION

- RD 0204 Bail Arm Screw
- RD 0244 Ball Bearing
- RD 0270 (Lever Screw) Lock Washer
- RD 0351 (Bail) Trip Cover Screw
- RD 0468A Ball Spring (Black)
- RD 0471 Trip Lever Guide
- RD 0473 Bail Trip Slide Cam
- RD 0476 "E" Lock
- RD 0479 Anti-Reverse Pawl Spring
- RD 0480 Anti-Reverse Spring Holder
- RD 0481 Anti-Reverse Ratchet
- RD 0482 Pinion Spacer
- RD 0483 Bearing Retainer
- RD 0485 Anti-Reverse Pawl Assembly
- RD 0487 Anti-Reverse Cam
- RD 0488 Anti-Reverse Cam Spring
- RD 0491 Oscillating Gear Assembly
- RD 0501 Anti-Reverse Lever
- RD 0521 Rotor Nut
- RD 0689 Oscillating Gear Bushing

PART # DESCRIPTION

- RD 0690 Drive Gear Washer
- RD 0727 Line Roller
- RD 0787 Nut Lock Screw
- RD 0792 Bearing Retainer Screw
- RD 0958 Bail Trip Cover Screw
- RD 1000 Anti-Reverse Pawl Screw
- RD 1086 Key Washer
- RD 1087 Drag Washer 1
- RD 1088 Eared Washer
- RD 1089 Drag Washer 2
- RD 1091 Spool Washer
- RD 1097 Bail Arm
- RD 1098 Bail Spring Cover
- RD 1099 Bail Trip Lever
- RD 1100 Bail Trip Cover
- RD 1102 Ball Bearing
- RD 1105 Pinion Gear
- RD 1107 Oscillating Slider
- RD 1108 Main Shaft
- RD 1109 Slider Retainer Screw

PART # DESCRIPTION

- RD 1110 Counter Weight
- RD 1111 Counter Weight Screw
- RD 1174 Handle Screw Cap
- RD 1676 Side Cover Screw
- RD 2056 Seal Plate Screw
- RD 2068 Lever Spring
- RD 2094 Line Roller Spacer
- RD 2095 Line Roller Bushing
- RD 2097 Line Roller Screw
- RD 2164 Drag Knob
- RD 2165 Seal Plate
- RD 2166 Spool Assembly
- RD 2167 Rotor
- RD 2168 Bail Assembly
- RD 2169 Line Roller Washer
- RD 2170 Body
- RD 2171 Side Cover
- RD 2187 Handle Assembly
- RD 2194 Drive Gear

Prices and specifications subject to change without notice.

OCTOBER, 1988