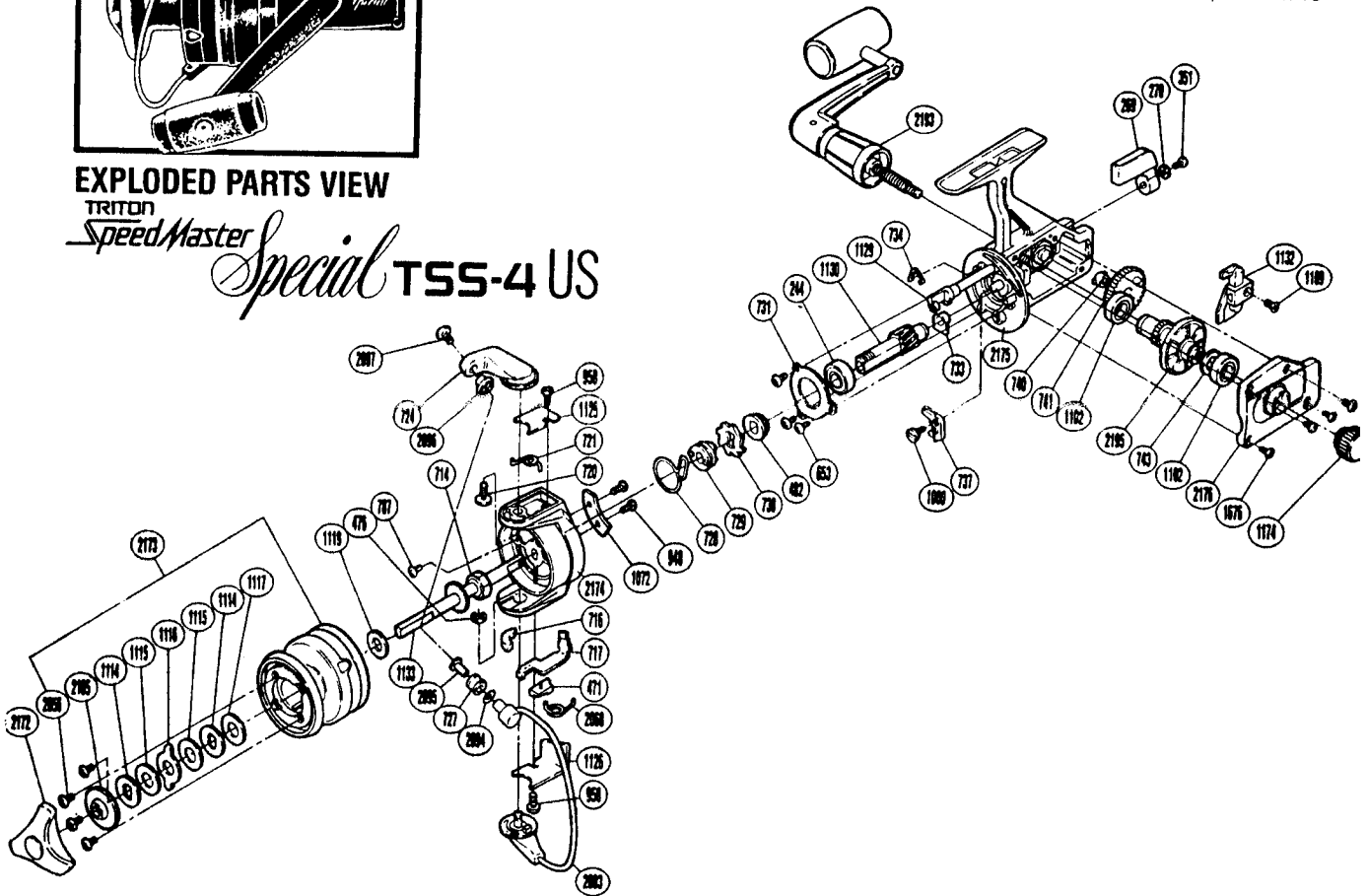


EXPLODED PARTS VIEW

TRITON
SpeedMaster
Special T55-4 US



SHIMANO®

1989 REPAIR MANUAL

Shimano American Corporation, One Shimano Dr.
Irvine, CA 92718

PARTS LIST

PART #	DESCRIPTION	PART #	DESCRIPTION	PART #	DESCRIPTION
RD 0244	Bail Bearing	RD 0734	Anti-Reverse Cam Spring	RD 1130	Pinion Gear
RD 0269	Anti-Reverse Lever	RD 0737	Anti-Reverse Pawl Assembly	RD 1132	Oscillating Slider
RD 0270	(Lever Screw) Lock Washer	RD 0740	Oscillating Gear Bushing	RD 1133	Main Shaft
RD 0351	(Bail) Trip Cover Screw	RD 0741	Oscillating Gear Assembly	RD 1174	Handle Screw Cap
RD 0471	Trip Lever Guide	RD 0743	Drive Gear Washer	RD 1676	Side Cover Screw
RD 0476	"E" Lock	RD 0787	Nut Lock Screw	RD 2056	Seal Plate Screw
RD 0482	Pinion Spacer	RD 0948	Bail Trip Cover Screw	RD 2068	Lever Spring
RD 0653	Bail Trip Cover Screw	RD 0958	Bail Trip Cover Screw	RD 2093	Bail Assembly
RD 0714	Rotor Nut	RD 1000	Anti-Reverse Pawl Screw	RD 2094	Line Roller Spacer
RD 0716	Bail Trip Side Cam	RD 1072	Counter Weight	RD 2095	Line Roller Bushing
RD 0717	Bail Trip Lever	RD 1102	Bail Bearing	RD 2096	Line Roller Washer
RD 0720	Bail Arm Screw	RD 1109	Slider Retainer Screw	RD 2097	Line Roller Screw
RD 0721	Bail Spring	RD 1114	Key Washer	RD 2165	Seal Plate
RD 0724	Bail Arm	RD 1115	Drag Washer 1	RD 2172	Drag Knob
RD 0727	Line Roller	RD 1116	Eared Washer	RD 2173	Spool Assembly
RD 0728	Anti-Reverse Pawl Spring	RD 1117	Drag Washer 2	RD 2174	Rotor
RD 0729	Anti-Reverse Spring Holder	RD 1119	Spool Washer	RD 2175	Body
RD 0730	Anti-Reverse Ratchet	RD 1125	Bail Spring Cover	RD 2176	Side Cover
RD 0731	Bearing Retainer	RD 1126	Bail Trip Cover	RD 2193	Handle
RD 0733	Pinion Gear Bushing	RD 1129	Anti-Reverse Cam	RD 2195	Drive Gear