

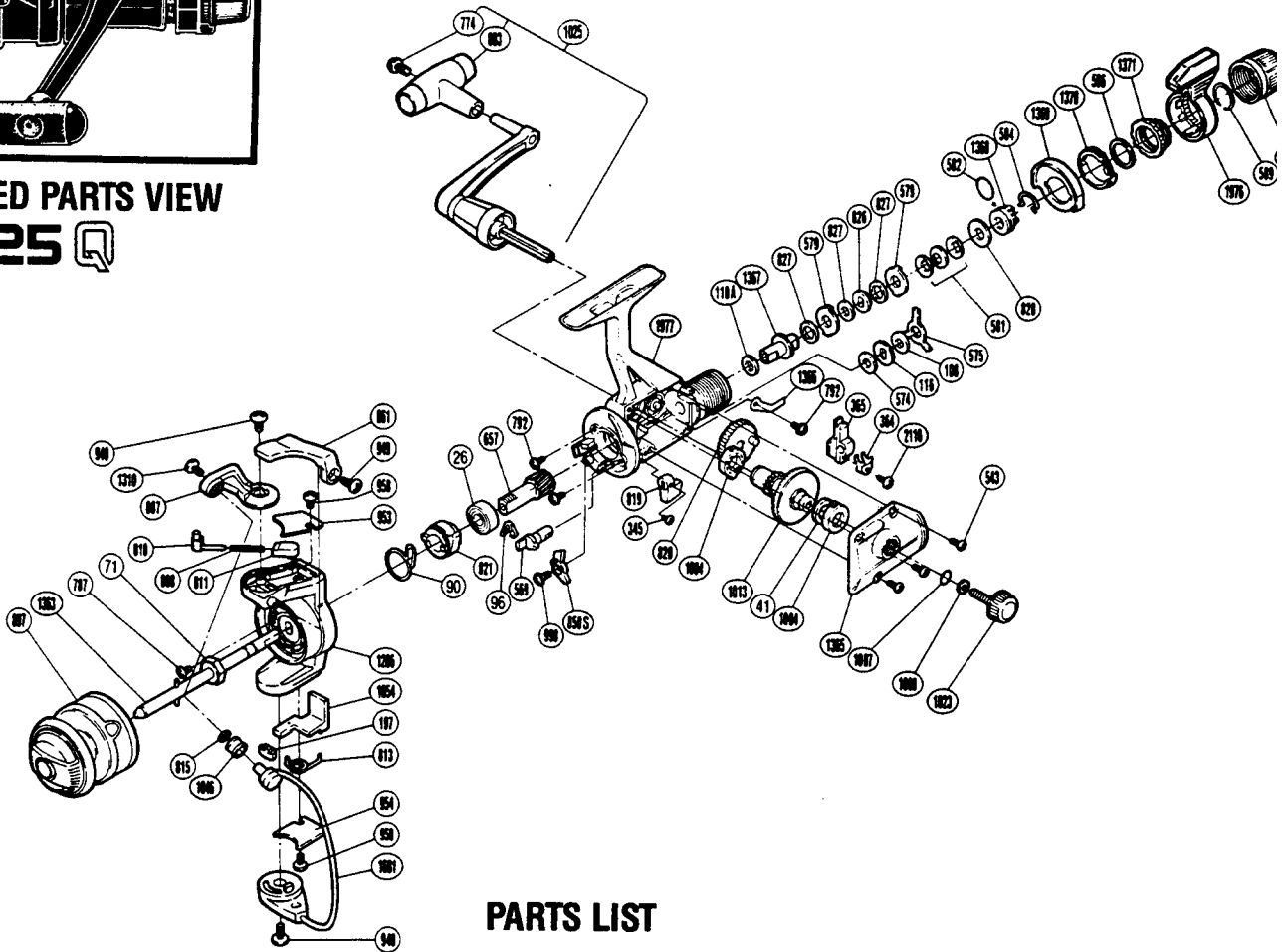
# SHIMANO

## 1989 REPAIR MANUAL

Shimano American Corporation, One Shimano Dr  
Irvine, CA 92718

### EXPLODED PARTS VIEW

## TX125 Q



### PARTS LIST

**PART # DESCRIPTION**

- RD 0026 Ball Bearing
- RD 0041 Drive Gear Washer
- RD 0071 Rotor Nut
- RD 0090 Anti-Reverse Pawl Spring
- RD 0096 Anti-Reverse Cam Spring
- RD 0108 Drag Washer "C(1)" (Black)
- RD 0110A Drag Washer "D2" (White)
- RD 0116 Click Gear
- RD 0197 Bail Trip Slide Cam
- RD 0345 Anti-Reverse Lever Screw
- RD 0364 Oscillating Slider Retainer
- RD 0365 Oscillating Slider
- RD 0543 Side Cover Screw (B)
- RD 0569 Anti-Reverse Cam
- RD 0574 Drag Washer "C2" (White)
- RD 0575 Eared Washer "BF"
- RD 0579 Eared Washer "B"
- RD 0581 Coned Disc Spring
- RD 0582 "O" Ring
- RD 0584 Hold Click Spring
- RD 0586 Fightin' Pressure Screw Washer
- RD 0589 Lever Hold Spring
- RD 0657 Pinion Gear
- RD 0774 Handle Knob Screw

**PART # DESCRIPTION**

- RD 0787 Nut Lock Screw
- RD 0792 Bearing Retainer Screw
- RD 0803 Handle Knob
- RD 0807 Bail Arm
- RD 0808 Bail Spring
- RD 0810 Bail Spring Guide A
- RD 0811 Bail Spring Guide B
- RD 0813 Lever Spring
- RD 0815 Line Roller Washer
- RD 0819 Anti-Reverse Lever (Black)
- RD 0820 Oscillating Gear
- RD 0821 Anti-Reverse Ratchet
- RD 0826 Key Washer "A"
- RD 0827 Drag Washer "H1"
- RD 0828 Drag Spring Washer "A"
- RD 0850S Anti-Reverse Pawl
- RD 0861 Quick-Fire II Trigger
- RD 0897 Spool Assembly (Universal)
- RD 0940 Bail Trip Cam Screw
- RD 0949 Trigger Screw
- RD 0953 Bail Spring Cover
- RD 0954 Bail Trip Cover
- RD 0958 Bail Trip Cover Screw
- RD 0998 Anti-Reverse Pawl Screw

**PART # DESCRIPTION**

- RD 1004 Bushing A
- RD 1007 Lock Washer Retainer
- RD 1008 Handle Lock Washer
- RD 1013 Drive Gear
- RD 1023 Handle Screw Cap
- RD 1025 Handle Assembly
- RD 1046 Sic Ceramic Roller
- RD 1054 Bail Trip Lever
- RD 1206 Rotor
- RD 1310 Line Roller Screw
- RD 1319 Drag Knob Screw
- RD 1363 Main Shaft
- RD 1365 Side Cover
- RD 1366 Drag Click
- RD 1367 Drag Shaft
- RD 1368 Pressure Screw
- RD 1369 Lever Quadrant
- RD 1370 Lever Click Gear
- RD 1371 Fightin' Pressure Screw
- RD 1373 Drag Programmer
- RD 1681 Bail Assembly
- RD 1976 Fightin' Drag II Lever
- RD 1977 Body
- RD 2110 Slider Retainer Screw