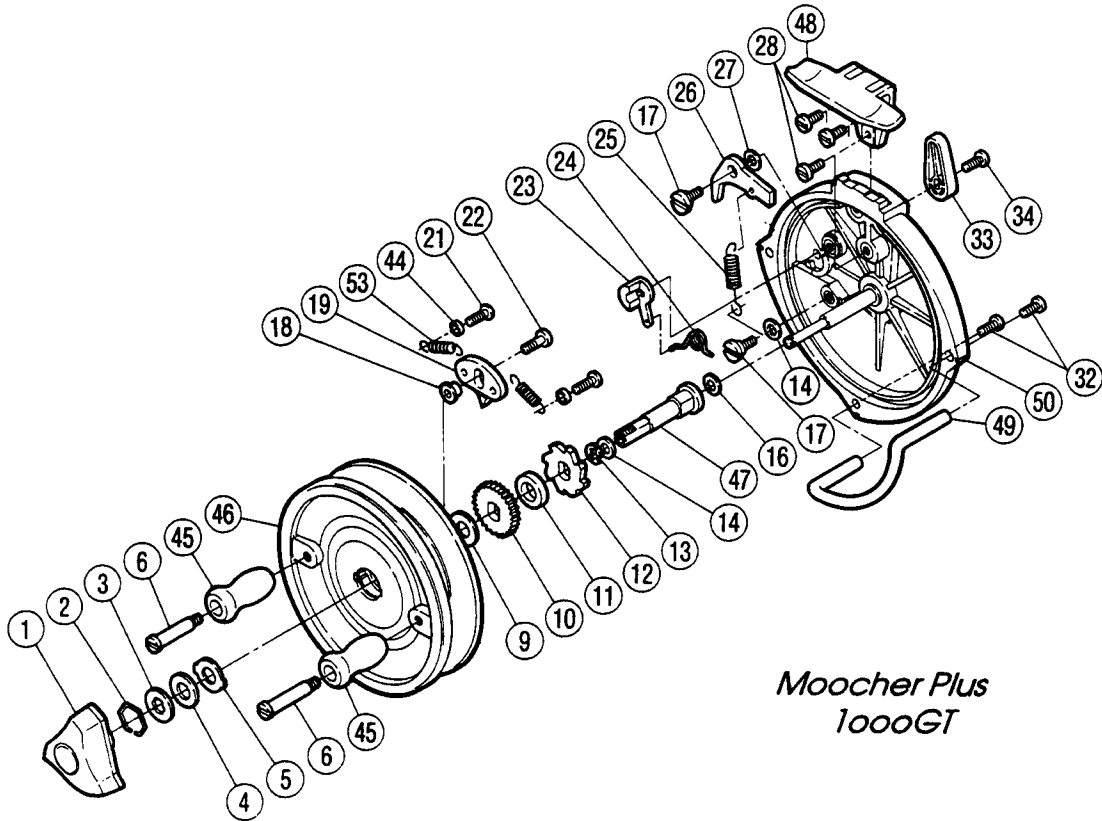


**EXPLODED PARTS VIEW**

**SHIMANO®**

**1991 REPAIR MANUAL**

Shimano American Corporation, One Shimano Dr.  
Irvine, CA 92718



*Moocher Plus  
1000GT*

**TO ORDER: USE MCR PREFIX  
WITH PART NUMBER**

**PARTS LIST**

| MCR # | DESCRIPTION           | MCR # | DESCRIPTION              | MCR # | DESCRIPTION                   |
|-------|-----------------------|-------|--------------------------|-------|-------------------------------|
| 0001  | Drag Knob             | 0016  | Main Shaft Washer        | 0032  | Line Guard Screw              |
| 0002  | Drag Washers Retainer | 0017  | Anti-Reverse Pawl Screw  | 0033  | Anti-Reverse Lever            |
| 0003  | Key Washer            | 0018  | Click Pawl Bushing       | 0034  | Anti-Reverse Lever Screw      |
| 0004  | Drag Washer           | 0019  | Click Pawl               | 0044  | Click Spring Screw Collar 6/3 |
| 0005  | Eared Washer          | 0021  | Click Spring Screw       | 0045  | Handle Knob                   |
| 0006  | Handle Knob Bolt      | 0022  | Click Pawl Screw         | 0046  | Spool                         |
| 0009  | Spool Washer          | 0023  | Anti-Reverse Cam         | 0047  | Main Shaft                    |
| 0010  | Click Gear            | 0024  | Anti-Reverse Cam Spring  | 0048  | Stand                         |
| 0011  | Spacer                | 0025  | Anti-Reverse Pawl Spring | 0049  | Line Guard                    |
| 0012  | Anti-Reverse Ratchet  | 0026  | Anti-Reverse Pawl        | 0050  | Back Place                    |
| 0013  | Main Shaft Retainer   | 0027  | Anti-Reverse Pawl Spacer | 0053  | Click Spring                  |
| 0014  | Retainer Spacer       | 0028  | Stand Screw              |       |                               |