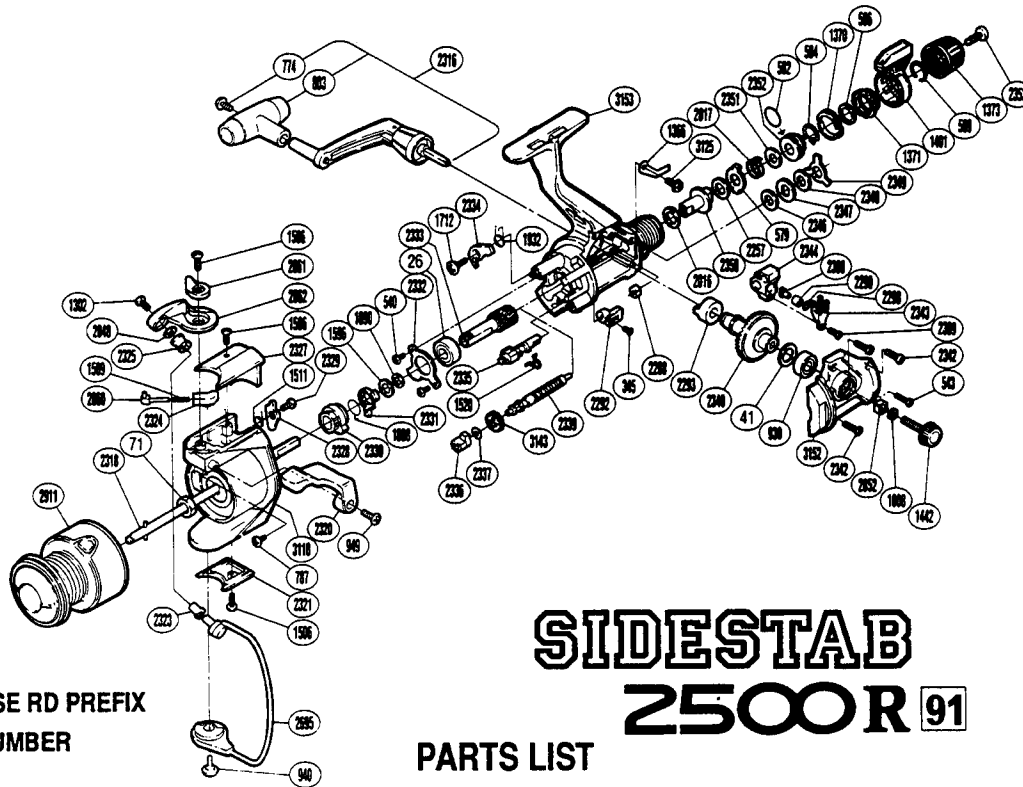


EXPLODED PARTS VIEW

SHIMANO®

1991 REPAIR MANUAL

Shimano American Corporation, One Shimano Dr.
Irvine, CA 92718



SIDESTAB 2500R 91

TO ORDER: USE RD PREFIX
WITH PART NUMBER

PARTS LIST

RD #	DESCRIPTION	RD #	DESCRIPTION	RD #	DESCRIPTION
0026	Ball Bearing	1596	Bushing Washer	2333	Pinion Gear
0041	Drive Gear Washer	1712	Anti-Reverse Pawl Screw	2334	Anti-Reverse Pawl
0071	Rotor Nut	1888	Anti-Reverse Lock Out Spring	2335	Anti-Reverse Cam
0345	Anti-Reverse Lever Screw	1890	Bushing Washer	2336	Worm Bearing (front)
0540	Bearing Retainer Screw	1932	Anti-Reverse Pawl Spring	2337	Worm Shaft Spacer
0543	Side Cover Screw (B)	2016	Drag Washer "Hz" (white)	2339	Worm Shaft
0579	Eared Washer "B"	2017	Drag Coil Spring	2340	Drive Gear
0582	"O" Ring	2048	Line Roller Washer	2342	Side Cover Screw (A)
0584	Hold Click Spring	2257	Drag Washer "H"	2343	Oscillating Slider Retainer
0586	Fightin' Pressure Screw Washer	2288	Worm Bearing (rear)	2344	Oscillating Slider
0589	Lever Hold Spring	2292	Anti-Reverse Lever	2346	Drag Washer "C2" (white)
0774	Handle Knob Screw	2293	Drive Gear Bushing	2347	Click Gear
0787	Nut Lock Screw	2298	Spacer	2348	Drag Washer "C1"
0803	Handle Knob	2299	Oscillating Slider Bushing	2349	Eared Washer "B"
0930	Ball Bearing	2300	Oscillating Pawl	2350	Drag Shaft
0940	Bail Trip Cam Screw	2309	Slider Retainer Screw	2351	Drag Spring Washer
0949	Trigger Screw	2316	Handle Assembly	2352	Handle Screw Lock
1008	Handle Lock Washer	2318	Main Shaft	2353	Drag Programmer Screw
1302	Line Roller Screw	2320	Quick-Fire Trigger	2695	Bail Assembly
1366	Drag Programmer	2321	Rotor Side Cover	2852	Handle Screw Lock
1370	Lever Click Gear	2323	Line Roller Bushing	2860	Bail Spring Guide (A)
1371	Fightin' Pressure Screw	2324	Bail Spring Guide (B)	2861	Trigger Cam
1373	Drag Programmer	2325	SiC Ceramic Roller	2862	Bail Arm
1401	Fightin' Drag II Lever	2327	Bail Spring Cover	2911	Spool Assembly
1442	Handle Screw Cap	2328	Bail Trip Lever	3118	Rotor
1506	Multi Purpose Screw	2329	Bail Trip Lever Screw	3125	Drag Click Screw
1509	Bail Spring	2330	Anti-Reverse Ratchet	3143	Idle Gear
1511	Lever Spring	2331	Anti-Reverse Lock Out	3152	Side Cover
1520	Anti-Reverse Cam Spring	2332	Bearing Retainer	3153	Body