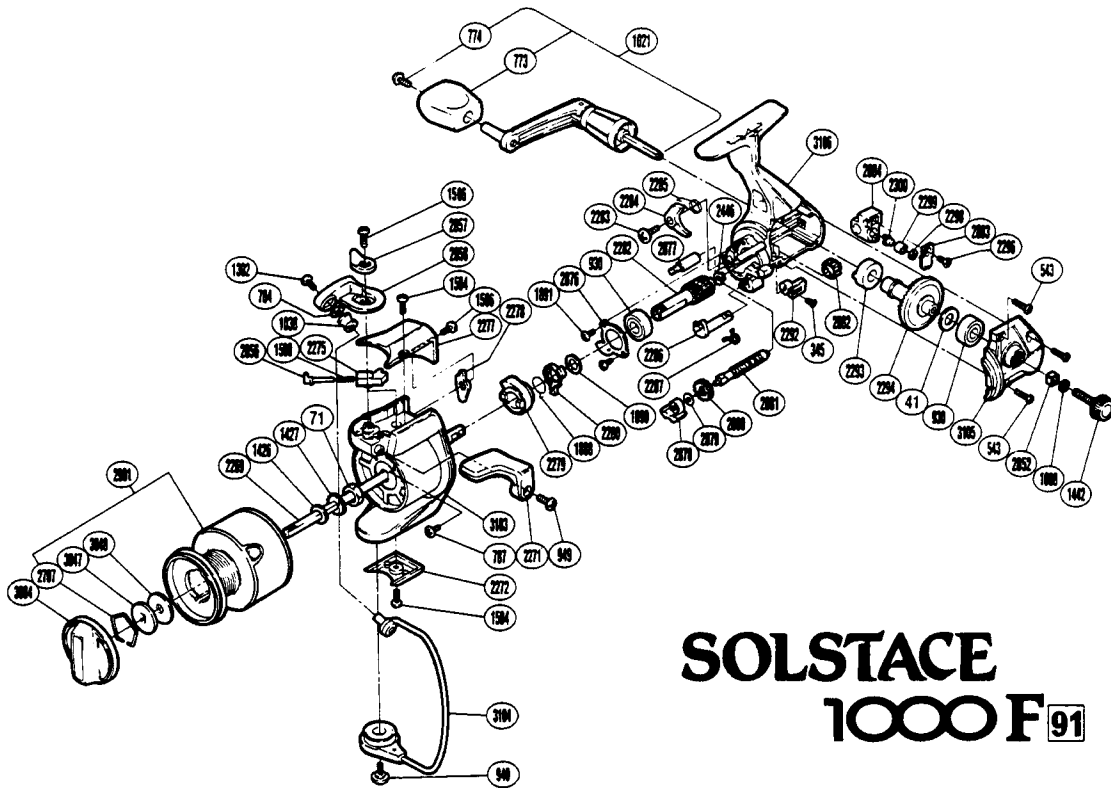


**EXPLODED PARTS VIEW**

**SHIMANO®**

**1991 REPAIR MANUAL**

Shimano American Corporation, One Shimano Dr.  
Irvine, CA 92718



**SOLSTACE  
1000 F<sup>91</sup>**

**TO ORDER: USE RD PREFIX  
WITH PART NUMBER**

**PARTS LIST**

RD #	DESCRIPTION	RD #	DESCRIPTION	RD #	DESCRIPTION
0041	Drive Gear Washer	1891	Bearing Retainer Screw	2707	Drag Washers Retainer
0071	Rotor Nut	2269	Main Shaft	2852	Handle Screw Lock
0345	Anti-Reverse Lever Screw	2271	Quick-Fire II Trigger	2856	Bail Spring Guide (A)
0543	Side Cover Screw	2272	Rotor Side Cover	2857	Trigger Cam
0773	Handle Knob	2275	Bail Spring Guide (B)	2858	Bail Arm
0774	Handle Knob Screw	2277	Bail Spring Cover	2876	Bearing Retainer
0784	Line Roller Washer	2278	Bail Trip Lever	2877	Idle Gear (B) Shaft
0787	Nut Lock Screw	2279	Anti-Reverse Ratchet	2878	Worm Bearing
0930	Ball Bearing	2280	Anti-Reverse Lock Out	2879	Worm Shaft Spacer
0940	Bail Trip Cam Screw	2282	Pinion Gear	2880	Idle Gear (A)
0949	Trigger Screw	2283	Anti-Reverse Pawl Screw	2881	Worm Shaft
1008	Handle Lock Washer	2284	Anti-Reverse Pawl	2882	Idle Gear (B)
1021	Handle Assembly	2285	Anti-Reverse Pawl Spring	2883	Oscillating Pawl Cover
1038	SiC Ceramic Roller	2286	Anti-Reverse Cam	2884	Oscillating Slider
1302	Line Roller Screw	2287	Anti-Reverse Cam Spring	2901	Spool Assembly
1426	Spool Washer	2292	Anti-Reverse Lever	3047	Key Washer
1427	Spool Support	2293	Drive Gear Bushing	3048	Drag Washer
1442	Handle Screw Cap	2294	Drive Gear	3084	Drag Knob
1504	Bail Spring Cover Screw	2296	Slider Retainer Screw	3103	Rotor
1506	Multi Purpose Screw	2298	Spacer	3104	Bail Assembly
1509	Bail Spring	2299	Oscillating Slider Bushing	3105	Side Cover
1888	Anti-Reverse Lock Out Spring	2300	Oscillating Pawl	3106	Body
1890	Bushing Washer	2446	Bushing		