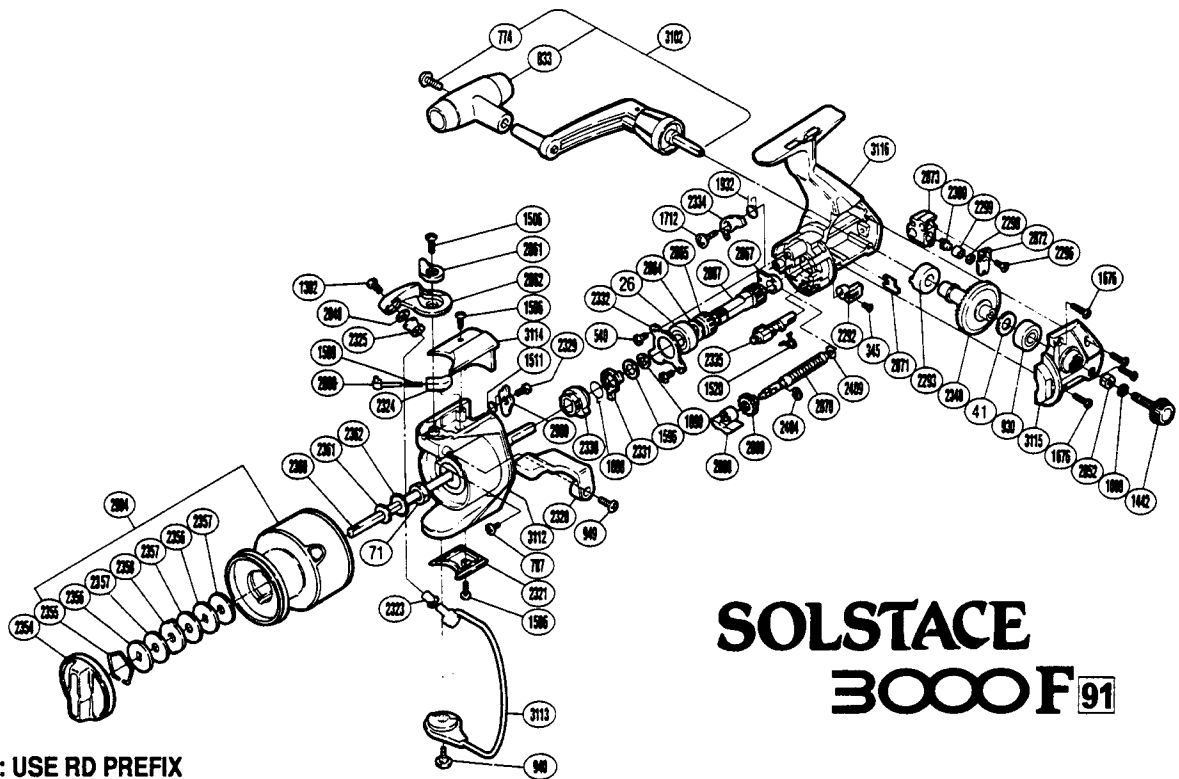


EXPLODED PARTS VIEW

SHIMANO®

1991 REPAIR MANUAL

Shimano American Corporation, One Shimano Dr.
Irvine, CA 92718



SOLSTACE 3000F⁹¹

TO ORDER: USE RD PREFIX
WITH PART NUMBER

PARTS LIST

RD #	DESCRIPTION	RD #	DESCRIPTION	RD #	DESCRIPTION
0026	Ball Bearing	2292	Anti-Reverse Lever	2409	Worm Shaft Spacer
0041	Drive Gear Washer	2293	Drive Gear Bushing	2707	Drag Washers Retainer
0071	Rotor Nut	2296	Slider Retainer Screw	2756	Key Washer
0345	Anti-Reverse Lever Screw	2298	Spacer	2758	Eared Washer
0540	Bearing Retainer Screw	2299	Oscillating Slider Bushing	2852	Handle Screw Lock
0774	Handle Knob Screw	2300	Oscillating Pawl	2860	Bail Spring Guide (A)
0787	Nut Lock Screw	2316	Handle Assenbly	2861	Trigger Cam
0803	Handle Knob	2320	Quick-Fire II Trigger	2862	Bail Arm
0930	Ball Bearing	2321	Rotor Side Cover	2864	Pinion Idle Gear Washer
0940	Bail Trip Cam Screw	2323	Line Roller Bushing	2865	Pinion Idle Gear
0949	Trigger Screw	2324	Bail Spring Guide (B)	2867	Bushing
1008	Handle Lock Washer	2325	SiC Ceramic Roller	2868	Worm Bearing
1302	Line Roller Screw	2327	Bail Spring Cover	2869	Idle Gear
1442	Handle Screw Cap	2329	Bail Trip Lever Screw	2870	Worm Shaft
1506	Multi Purpose Screw	2330	Anti-Reverse Ratchet	2871	Worm Shaft Retainer
1509	Bail Spring	2331	Anti-Reverse Lock Out	2872	Oscillating Pawl Cover
1511	Lever Spring	2332	Bearing Retainer	2873	Oscillating Slider
1520	Anti-Reverse Cam Spring	2334	Anti-Reverse Pawl	2887	Pinion Gear
1596	Bushing Washer	2335	Anti-Reverse Cam	2890	Bail Trip Lever
1676	Side Cover Screw	2340	Drive Gear	2903	Spool Assembly
1712	Anti-Reverse Pawl Screw	2354	Drag Knob	3117	Drag Washer
1888	Anti-Reverse Lock Out Spring	2361	Spool Washer	3118	Rotor
1890	Bushing Lever	2362	Spool Support	3119	Bail Assembly
1932	Anti-Reverse Pawl Spring	2396	Main Shaft	3120	Side Cover
2048	Line Roller Washer	2404	Idle Gear Retainer	3121	Body