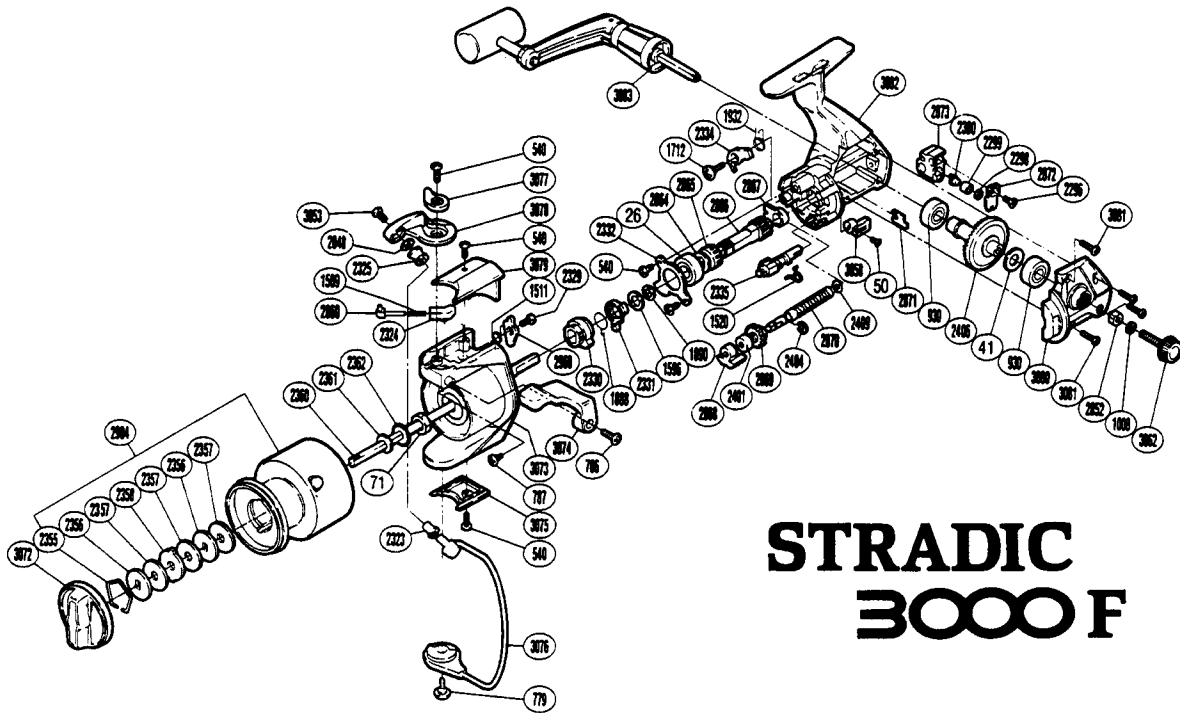


EXPLODED PARTS VIEW

SHIMANO®

1991 REPAIR MANUAL

Shimano American Corporation, One Shimano Dr.
Irvine, CA 92718



STRADIC 3000 F

TO ORDER: USE RD PREFIX
WITH PART NUMBER

PARTS LIST

RD #	DESCRIPTION	RD #	DESCRIPTION	RD #	DESCRIPTION
0026	Ball Bearing	2324	Bail Spring Guide (B)	2867	Bushing
0041	Drive Gear Washer	2325	SiC Ceramic Roller	2868	Worm Bearing
0050	Anti-Reverse Lever Screw	2329	Bail Trip Lever Screw	2869	Idle Gear
0071	Rotor Nut	2330	Anti-Reverse Ratchet	2870	Worm Shaft
0540	Multi Purpose Screw	2331	Anti-Reverse Lock Out	2871	Worm Shaft Retainer
0779	Bail Trip Cam Screw	2332	Bearing Retainer	2872	Oscillating Pawl Cover
0786	Trigger Screw	2334	Anti-Reverse Pawl	2873	Oscillating Slider
0787	Nut Lock Screw	2335	Anti-Reverse Cam	2904	Spool Assembly
0930	Ball Bearing	2355	Drag Washers Retainer	2969	Bail Trip Lever
1008	Handle Lock Washer	2356	Key Washer	3053	Line Roller Screw
1509	Bail Spring	2357	Drag Washer	3058	Anti-Reverse Lever
1511	Lever Spring	2358	Eared Washer	3062	Handle Screw Cap
1520	Anti-Reverse Pawl Spring	2360	Main Shaft	3072	Drag Knob
1596	Bushing Washer	2361	Spool Washer	3073	Rotor
1712	Anti-Reverse Pawl Screw	2362	Spool Support	3074	Quick Fire II Trigger
1888	Anti-Reverse Lock Out Spring	2401	Ball Bearing	3075	Rotor Side Cover
1890	Bushing Washer	2404	Idle Gear Retainer	3076	Bail Assembly
1932	Anti-Reverse Pawl Spring	2406	Drive Gear	3077	Trigger Cam
2048	Line Roller Washer	2409	Worm Shaft Spacer	3078	Side Cover
2296	Slider Retainer Screw	2852	Handle Screw Lock	3079	Bail Spring Cover
2298	Spacer	2860	Bail Spring Guide (A)	3080	Side Cover
2299	Oscillating Slider Bushing	2864	Pinion Idle Gear Washer	3081	Side Cover Screw
2300	Oscillating Pawl	2865	Pinion Idle Gear	3082	Body
2323	Line Roller Bushing	2866	Pinion Gear	3083	Handle Assembly