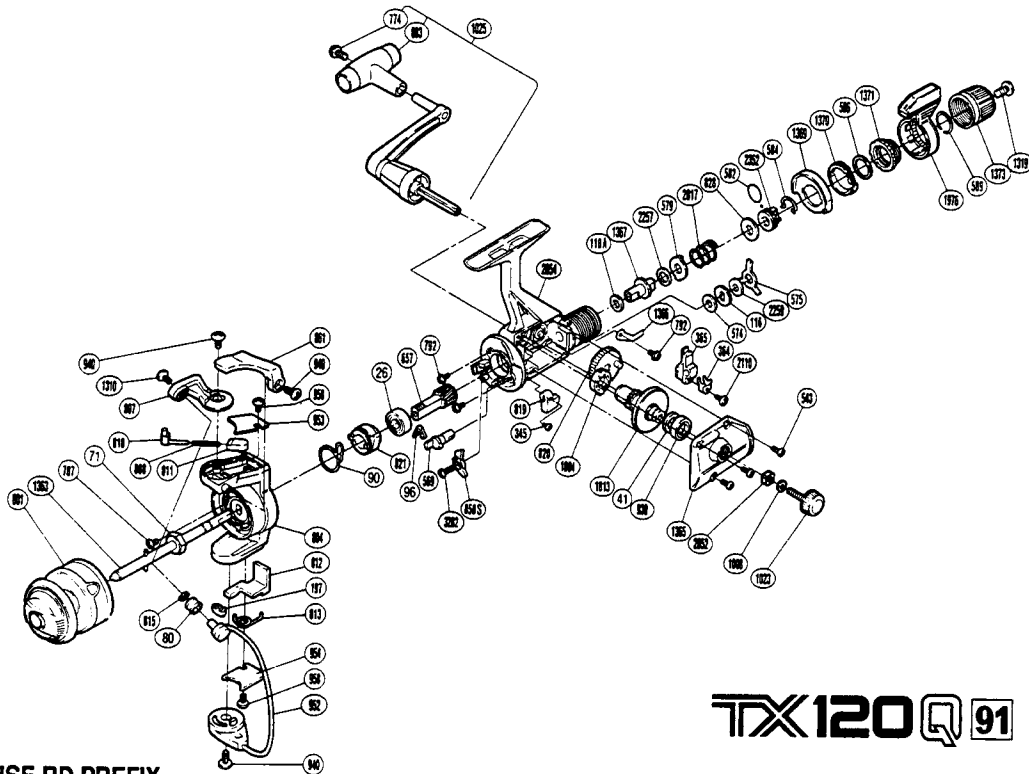


EXPLODED PARTS VIEW

SHIMANO®

1991 REPAIR MANUAL

Shimano American Corporation, One Shimano Dr.
Irvine, CA 92718



TX120Q 91

TO ORDER: USE RD PREFIX
WITH PART NUMBER

PARTS LIST

RD #	DESCRIPTION	RD #	DESCRIPTION	RD #	DESCRIPTION
0026	Ball Bearing	0792	Multi Purpose Screw	3282	Anti-Reverse Pawl Screw
0041	Drive Gear Washer	0801	Spool Assembly	1004	Bushing
0071	Rotor Nut	0803	Handle Knob	1008	Handle Lock Washer
0080	Line Roller	0804	Rotor	1013	Drive Gear
0090	Anti-Reverse Pawl Spring	0807	Bail Arm	1023	Handle Screw Cap
0096	Anti-Reverse Cam Spring	0808	Bail Spring	1025	Handle Assembly
0110A	Drag Washer "D ₂ "	0810	Bail Spring Guide A	1310	Line Roller Screw
0116	Click Gear	0811	Bail Spring Guide B	1319	Drag Programmer Screw
0197	Bail Trip Slide Cam	0812	Bail Trip Lever	1363	Main Shaft
0345	Anti-Reverse Lever Screw	0813	Lever Spring	1365	Side Cover
0364	Oscillating Slider Retainer	0815	Line Roller Washer	1366	Drag Click
0365	Oscillating Slider	0819	Anti-Reverse Lever	1367	Drag Shaft
0543	Side Cover Screw	0820	Oscillating Gear	1369	Lever Quadrant
0569	Anti-Reverse Cam	0821	Anti-Reverse Ratchet	1370	Lever Click Gear
0574	Drag Washer "C ₂ "	0828	Drag Spring Washer "A"	1371	Fightin' Pressure Screw
0575	Eared Washer "B _F "	0850S	Anti-Reverse Pawl	1373	Drag Programmer
0579	Eared Washer "B"	0861	Quick-Fire II Trigger	1976	Fightin' Drag II Lever
0582	"O" Ring	0930	Ball Bearing	2017	Drag Coil Spring
0584	Hold Click Spring	0940	Bail Trip	2110	Slider Retainer Screw
0586	Fightin' Pressure Screw Washer	0949	Trigger Screw	2257	Drag Washer "H ₁ "
0589	Lever Hold Spring	0952	Bail Assembly	2259	Drag Washer "C ₁ "
0657	Pinion Gear	0953	Bail Spring Cover	2352	Pressure Screw
0774	Handle Knob Screw	0954	Bail Trip Cover	2852	Handle Screw Lock
0787	Nut Lock Screw	0958	Bail Trip Cover Screw	2854	Body