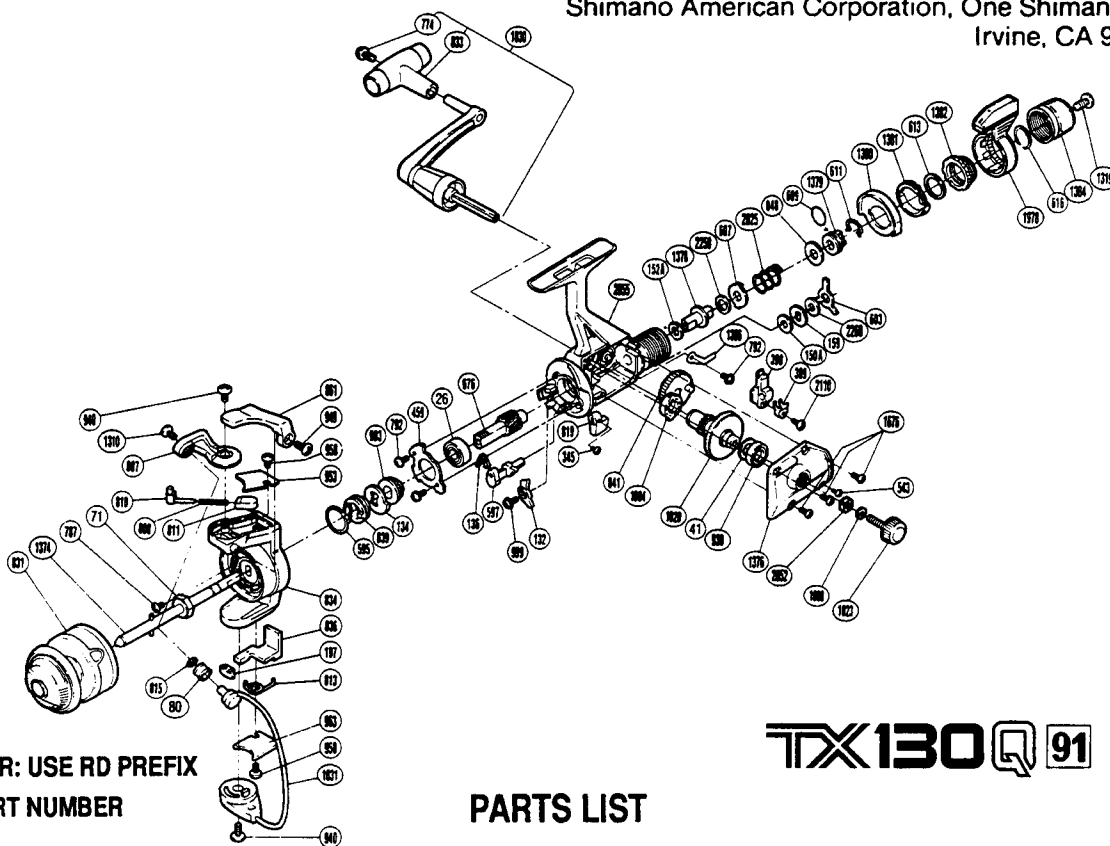


EXPLODED PARTS VIEW

SHIMANO®

1991 REPAIR MANUAL

Shimano American Corporation, One Shimano Dr.
Irvine, CA 92718



TO ORDER: USE RD PREFIX
WITH PART NUMBER

TX130Q 91

PARTS LIST

RD #	DESCRIPTION	RD #	DESCRIPTION	RD #	DESCRIPTION
0026	Ball Bearing	0787	Nut Lock Screw	1004	Bushing
0041	Drive Gear Washer	0792	Multi Purpose Screw	1008	Handle Lock Washer
0071	Rotor Nut	0807	Bail Arm	1020	Drive Gear
0080	Line Roller	0808	Bail Spring	1023	Handle Screw Cap
0132	Anti-Reverse Pawl	0810	Bail Spring Guide (A)	1030	Handle Assembly
0134	Anti-Reverse Ratchet	0811	Bail Spring Guide (B)	1031	Bail Assembly
0136	Anti-Reverse Cam Spring	0813	Lever Spring	1310	Line Roller Screw
0150A	Drag Washer "C2"	0815	Line Roller Washer	1319	Drag Programmer Screw
0152A	Drag Washer "D2"	0819	Anti-Reverse Lever	1366	Drag Click
0159	Click Gear	0831	Spool Assembly	1374	Main Shaft
0197	Bail Trip Slide Cam	0833	Handle Knob	1376	Side Cover
0345	Anti-Reverse Lever Screw	0834	Rotor	1378	Drag Shaft
0389	Oscillating Slider Retainer	0836	Bail Trip Lever	1379	Pressure Screw
0390	Oscillating Slider	0839	Anti-Reverse Spring Holder	1380	Lever Quadrant
0459	Bearing Retainer	0841	Oscillating Gear	1381	Lever Click Gear
0543	Side Cover Screw (B)	0848	Drag Spring Washer "A"	1382	Fightin' Pressure Screw
0595	Anti-Reverse Pawl Spring	0861	Quick-Fire II Trigger	1384	Drag Programmer
0597	Anti-Reverse Cam	0903	Pinion Spacer	1676	Side Cover Screw (A)
0603	Eared Washer "Bf"	0930	Ball Bearing	1978	Fightin' Drag II Lever
0607	Eared Washer "B"	0940	Bail Trip Cam Screw	2025	Drag Coil Spring
0609	"O" Ring	0949	Trigger Screw	2110	Slider Retainer Screw
0611	Hold Click Spring	0953	Bail Spring Cover	2258	Drag Washer "H1"
0613	Fightin' Pressure Screw Washer	0958	Bail Trip Cover Screw	2260	Drag Washer "C1"
0616	Lever Hold Spring	0963	Bail Trip Cover	2852	Handle Screw Lock
0676	Pinion Gear	0999	Anti-Reverse Pawl Screw	2855	Body