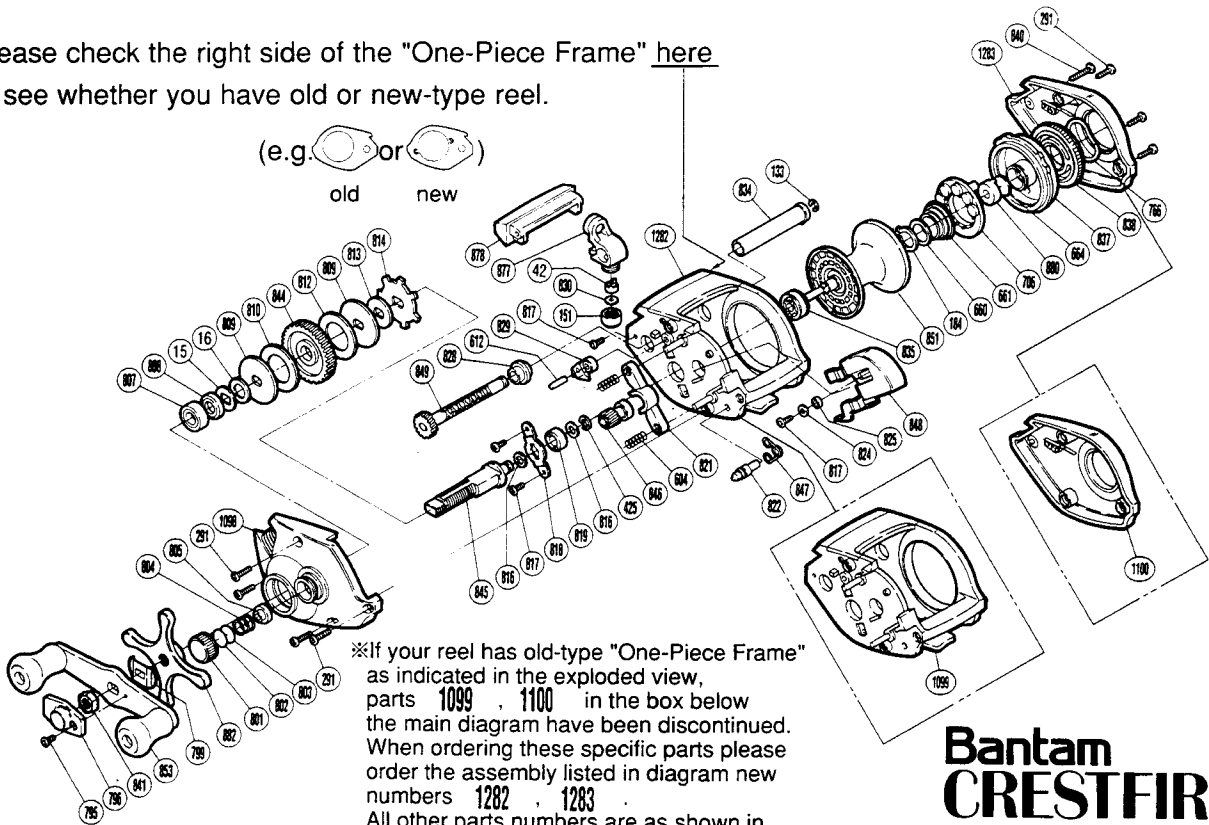


SHIMANO®

1992 REPAIR MANUAL

Shimano American Corporation, One Shimano Dr.
Irvine, CA 92718

※Please check the right side of the "One-Piece Frame" here
to see whether you have old or new-type reel.



※If your reel has old-type "One-Piece Frame" as indicated in the exploded view, parts 1099, 1100 in the box below the main diagram have been discontinued. When ordering these specific parts please order the assembly listed in diagram new numbers 1282, 1283. All other parts numbers are as shown in the exploded view.

Bantam CRESTFIRE CR-101⁹²

BNT No.	PARTS NAMES	BNT No.	PARTS NAMES	BNT No.	PARTS NAMES
0015	Drag Spring Washer	0809	Key Washer (A)	0847	Retractor Spring
0016	Friction Washer (C)	0810	Drag Washer (A)	0848	Clutch Button
0042	Line Guide Pawl	0812	Drag Washer (B)	0849	Worm Shaft
0133	Worm Shaft Retainer	0813	Key Washer (B)	0851	Spool
0151	Pawl Cap	0814	Anti-Reverse Ratchet	0853	Handle Assembly
0184	Magnet Retainer Lock	0816	Drive Shaft Washer	0877	Line Guide
0291	Side Plate Screw	0817	Multi Purpose Screw	0878	Level Wind Protector
0425	Drive Shaft Retainer	0818	Drive Shaft Retainer	0880	Spool Shaft Bushing (C)
0604	Yoke Spring	0819	Drive Shaft Bushing	0882	Star Drag
0612	Anti-Reverse Pawl Pin	0821	Yoke	1098	Left Side Plate
0660	Spring Spacer	0822	Retractor Spring Pin	1282	One-Piece Frame
0661	Magnet Retainer Spring	0824	Yoke Plate Washer (B)	1283	Right Side Plate
0664	Spacer (B)	0825	Yoke Plate Washer (A)		
0706	Magnet Retainer	0828	Worm Bearing		
0766	Dial Friction Washer	0829	Anti-Reverse Pawl		
0795	Handle Nut Plate Screw	0830	Spacer (optional)		
0796	Handle Nut Plate	0834	Level Wind Guard		
0799	Friction Washer (A)	0835	Spool Shaft Bushing (B)		
0801	Cast Control Cap	0837	Dial Case		
0802	Spool Tension Spacer (B)	0838	Magnetic Control Dial		
0803	Spool Tension Spacer (A)	0840	Right Side Plate Screw		
0804	Spool Tension Spring	0841	Handle Nut		
0805	Spool Shaft Bushing (A)	0844	Drive Gear		
0807	Drive Shaft Bearing	0845	Drive Shaft	1099	One-Piece Frame
0808	Friction Washer (B)	0846	Pinion Gear	1100	Right Side Plate