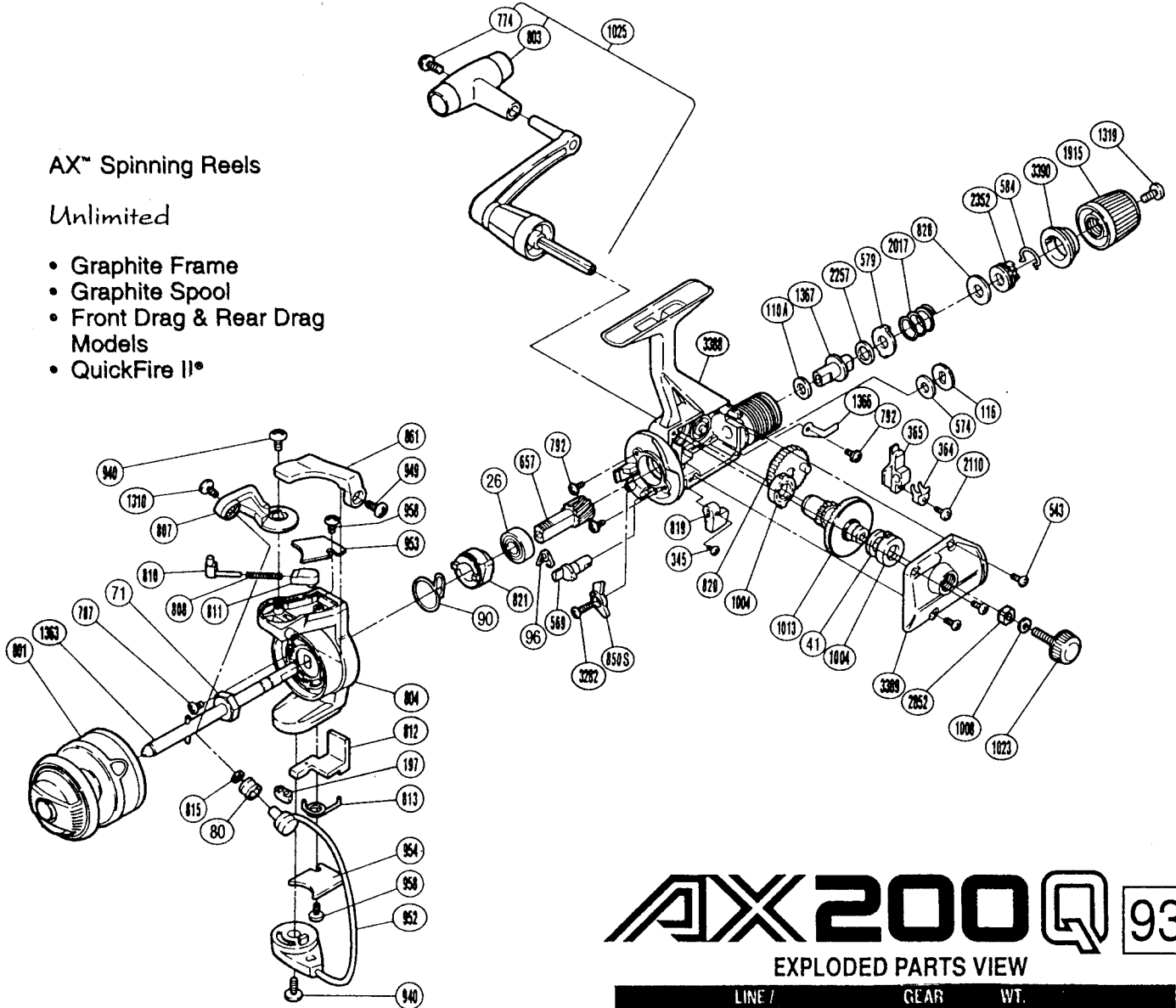


AX™ Spinning Reels

Unlimited

- Graphite Frame
- Graphite Spool
- Front Drag & Rear Drag Models
- QuickFire II®



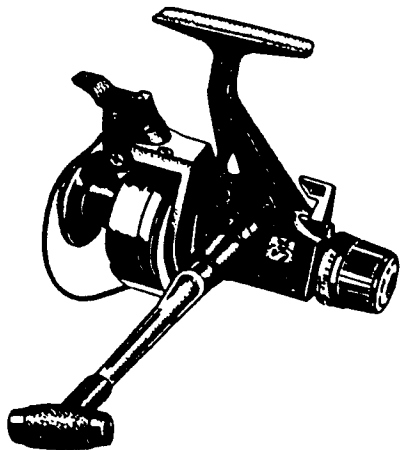
AX200Q 93

EXPLODED PARTS VIEW

MODEL NO.	LINE / CAPACITY	GEAR RATIO	WT. (OZ.)	BEARINGS
AX-200Q	6/180,8/140,10/105	5.2:1	8.8	1

The possibilities are almost unlimited when you're fishing with an AX™. That's because AX™ is available in six different sizes. The smallest is the front drag AX-ULS. This tiny reel is fun to fish for trout, crappie, and also with our new Stimula™ ice rods. The rear drag 100, 200 and 300 sizes are loved by bass and walleye fishermen. The large 400 and 500 front drag sizes are great for catfish and saltwater.

The AX™ is a well designed and tough one stainless steel ball bearing reel. The rear drag models feature the QuickFire II® self-centering bail. All models feature lightweight and ding resistant graphite bodies, rotors and spools. The bail will operate decisively for years as it utilizes the No-Fail Bail® spring.



AX-200Q

PART #	DESCRIPTION	*A* INTERCHANGEABILITY	*B* INTERCHANGEABILITY
RD 0026	Ball Bearing	BNT0807, BR 0037, TGT 0223, TLD0123, TT0117	
RD 0041	Drive Gear Washer	BR 0049, RD 1524, MLX0040, X/Z0150.	
RD 0071	Rotor Nut	BR 0010, KXB0073, MLX0098.	
RD 0080	Line Roller	BR 0021, MLX0070.	
RD 0090	Anti-Reverse Pawl Spring	BR 0293, MLX0227.	
RD 0096	Anti-Reverse Cam Spring	BR 0298, MLX0077, X/Z0048.	
RD 0110A	Drag Washer "D2" (white)		
RD 0116	Click Gear		
RD 0197	Bail Trip Slide Cam	BR 0014.	
RD 0345	Anti-Reverse Lever Screw	BR 0048, BNT0291.	BB 0061, BNT0191, KXB0052, MLX0049, RD 0050, X/Z0147
RD 0364	Oscillating Slider Retainer	BR 0321.	
RD 0365	Oscillating Slider	BR 0320.	
RD 0543	Side Cover Screw	BR 0080.	RD 0642, RD 3061, RD 3759, RD 3704, RD 3404, RD 3666, RD 3724
RD 0569	Anti-Reverse Cam	BR 0299.	
RD 0574	Drag Washer "C2"		
RD 0579	Eared Washer "B"	BR 0839.	
RD 0584	Hold Click Spring	BR 0844.	
RD 0657	Pinion Gear	BR 0295.	
RD 0774	Handle Knob Screw	BR 0340.	X/Z0092.
RD 0787	Nut Lock Screw	BNT0698, BR 0278.	RD 1111.
RD 0792	Multi-Purpose Screw	BR 0035.	RD 0358, TGT0005.
RD 0801	Spool Assembly	R2.	
RD 0803	Handle Knob	BR 0352.	RD 1010, RD 0807
RD 0804	Rotor	BR 0279.	RD 0951
RD 0807	Bail Arm	BR 0289.	
RD 0808	Bail Spring	BR 0291.	
RD 0810	Bail Spring Guide "A"	BR 0292.	
RD 0811	Bail Spring Guide "B"	BR 0290.	
RD 0812	Bail Trip Lever	BR 0280.	
RD 0813	Lever Spring	BR 0281.	
RD 0815	Line Roller Washer	BR 0285.	
RD 0819	Anti-Reverse Lever	BR 0045.	
RD 0820	Oscillating Gear	BR 0351, RD 0368.	
RD 0821	Anti-Reverse Ratchet	BR 0294.	
RD 0828	Drag Spring Washer "A"		
RD 0850S	Anti-Reverse Pawl		
RD 0861	Quick-Fire II Trigger		BR 0286, RD 1116.
RD 0940	Bail Trip Cam Screw	BR 0409.	BR 0284, RD 0779, RD 3087.
RD 0949	Trigger Screw		BR 0287, RD 0788
RD 0952	Bail Assembly		BR 0283, RD 0805, RD 0968.
RD 0953	Bail Spring Cover		BR 0286, RD 0809.
RD 0954	Bail Trip Cover	BR 0407.	BR 0282, RD 0814, RD 1193, RD 1261.
RD 0958	Bail Trip Cover Screw	BR 0020.	BR 0184, BR 0240, RD 0643.
RD 1004	Bushing	BR 0301.	
RD 1008	Handle Lock Washer	BR 0312, TGT0014.	
RD 1013	Drive Gear		
RD 1023	Handle Screw Cap	BR 0647.	RD 1006.
RD 1025	Handle Assembly	BR 0353.	RD 1009.
RD 1310	Line Roller Screw	BR 0652.	
RD 1319	Drag Programmer Screw		
RD 1363	Main Shaft		
RD 1366	Drag Click		
RD 1367	Drag Shaft		
RD 1915	Drag Knob		RD 1952.
RD 2017	Drag Coil Spring		
RD 2110	Slider Retainer Screw	BR 0685.	
RD 2257	Drag Washer "H1"		
RD 2352	Pressure Screw		
RD 2852	Handle Screw Lock		
RD 3282	Anti-Reverse Pawl Screw		
RD 3388	Body		
RD 3389	Side Cover		
RD 3390	Knob Spacer		