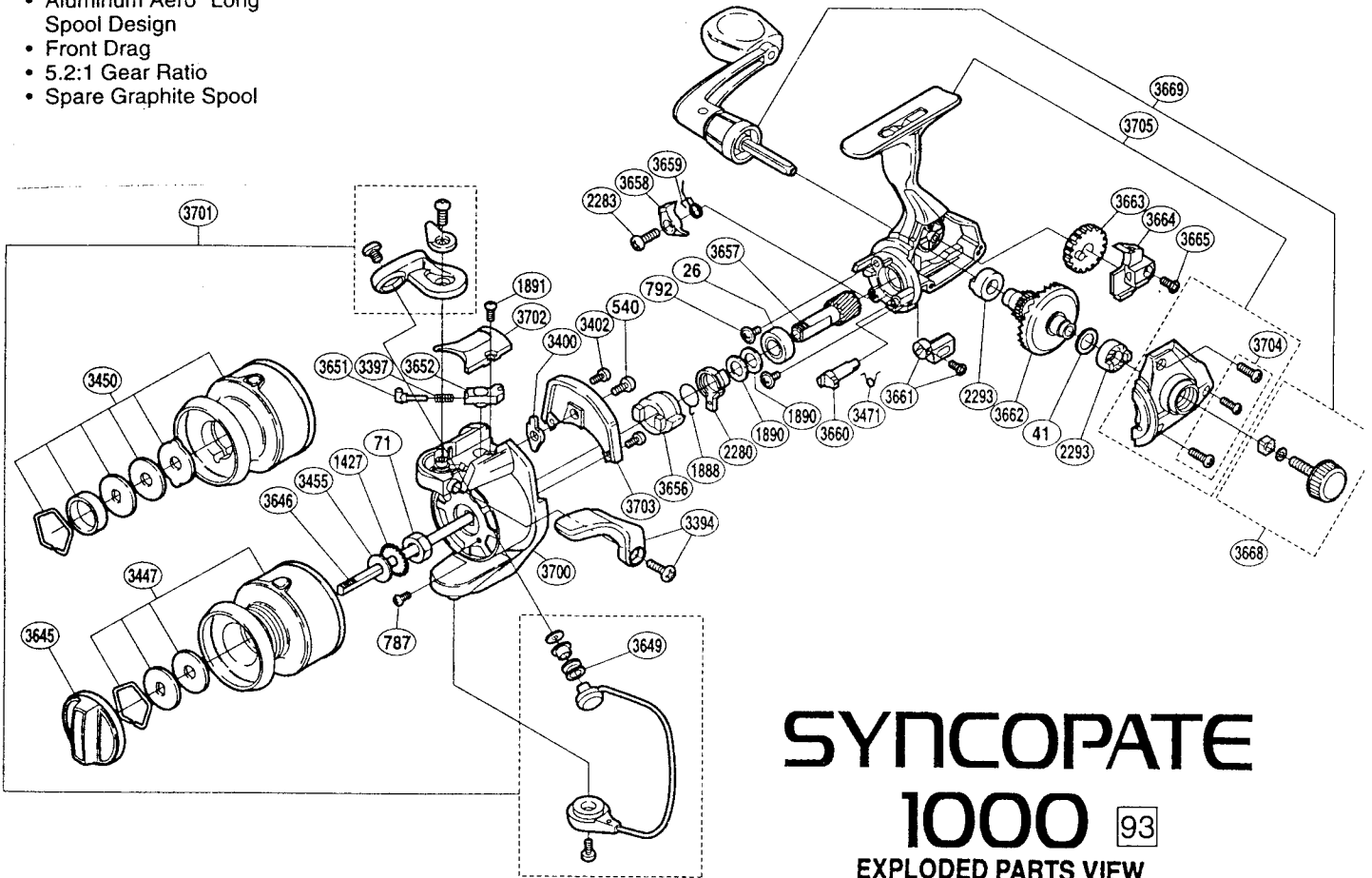




AERO® SYNCOPATE™
Spinning Reels

Hot Dogs

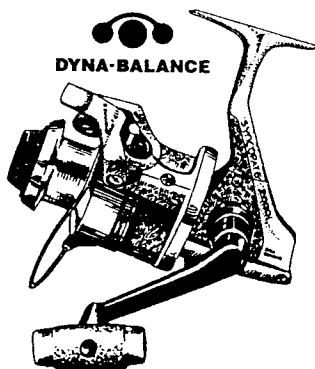
- Dyna-Balance
- Aluminum Aero® Long Spool Design
- Front Drag
- 5.2:1 Gear Ratio
- Spare Graphite Spool



SYNCOPATE 1000 93

EXPLODED PARTS VIEW

MODEL NO.	LINE / CAPACITY	GEAR RATIO	WT. (OZ.)	BEARINGS
SC-1000F	2/270,4/140,6/110	5.2:1	8.6	1



Shimano® has been the leader in spinning tackle for many years now. Our spinning reels have proven themselves to be no-risk purchases for consumers who know they can depend on reliable and smooth operation. This year we've expanded upon our solid base of manufacturing technology with a new concept called DynaBalance™. We're really pushing this innovation hard, not only in this manual, but also with advertising, our consumer catalog, and point of purchase displays. We're pushing so hard because we believe that DynaBalance™ is one of the best things to ever happen to spinning tackle.

The new Syncopate™ and the improved Sidestab™ with DynaBalance™ are some of the most exciting spinning reels to ever come along. These sporty, affordable reels give the everyday fisherman smoother retrieves than were available on any other reel, at any cost, just one year ago. Sidestab™ is available in three rear drag models. Syncopate™ is available in three front drag models. Both models come with an aluminum spool and an extra graphite spool.

SC-1000F

PART #	DESCRIPTION	"A" INTERCHANGEABILITY	"B" INTERCHANGEABILITY
RD 0026	Bail Bearing	BNT0807, BR 0037, KXB0028, MLX0025, TGT0223, TLD0123, TT 0117	
RD 0041	Drive Gear Washer	BR 0049, RD 1524, MLX0040, X/Z0150	
RD 0071	Rotor Nut	BR 0010, KXB0073, MLX0096	
RD 0540	Bail Trip Lever Screw	BNT0689, BR 0066, MCR0021, TGT0068, TLD0056, TT 0187	BR 0470, BR 0539, RD 1506, RD 3088
RD 0787	Nut Lock Screw	BNT0696, BR 0278	RD 1111
RD 0792	Bearing Retainer Screw	BR 0035	RD 0358, TGT0005
RD 1427	Spool Support	BR 0435A, X/Z0089	
RD 1888	Anti-Reverse Lock Out Spring		
RD 1890	Bushing Washer	TGT0224	
RD 1891	Bail Spring Cover Screw		RD 1504
RD 2280	Anti-Reverse Lock Out		
RD 2283	Anti-Reverse Pawl Screw	BR 0557	
RD 2293	Drive Gear Bushing		
RD 3394	Quick-Fire II Trigger Assembly		RD 3648
RD 3397	Bail Spring		
RD 3400	Bail Trip Lever		
RD 3402	Cover Screw		RD 3655
RD 3447	Spool Assembly (aluminum)		RD 3913
RD 3450	Spool Assembly (graphite)		RD 3907, RD 3914
RD 3455	Spool Washer		
RD 3471	Anti-Reverse Cam Spring		
RD 3645	Drag Knob		RD 3391, RD 3453
RD 3646	Main Shaft		
RD 3649	Line Roller		
RD 3651	Bail Spring Guide (A)		
RD 3652	Bail Spring Guide (B)		
RD 3656	Anti-Reverse Ratchet		
RD 3657	Pinion Gear		
RD 3658	Anti-Reverse Pawl		
RD 3659	Anti-Reverse Pawl Spring		
RD 3660	Anti-Reverse Cam		
RD 3661	Anti-Reverse Lever Assembly		
RD 3662	Drive Gear		
RD 3663	Oscillating Gear		
RD 3664	Oscillating Slider		
RD 3665	Slider Retainer Screw		
RD 3668	Handle Screw Cap Assembly		RD 3406
RD 3669	Handle Assembly		
RD 3700	Rotor		RD 3647, RD 3719
RD 3701	Bail Assembly		RD 3650
RD 3702	Bail Spring Cover		RD 3653, RD 3722
RD 3703	Counterbalance Cover		RD 3654, RD 3723
RD 3704	Side Cover Screw		RD 3666, RD 3904, RD 3724, RD 3759
RD 3705	Body Assembly		