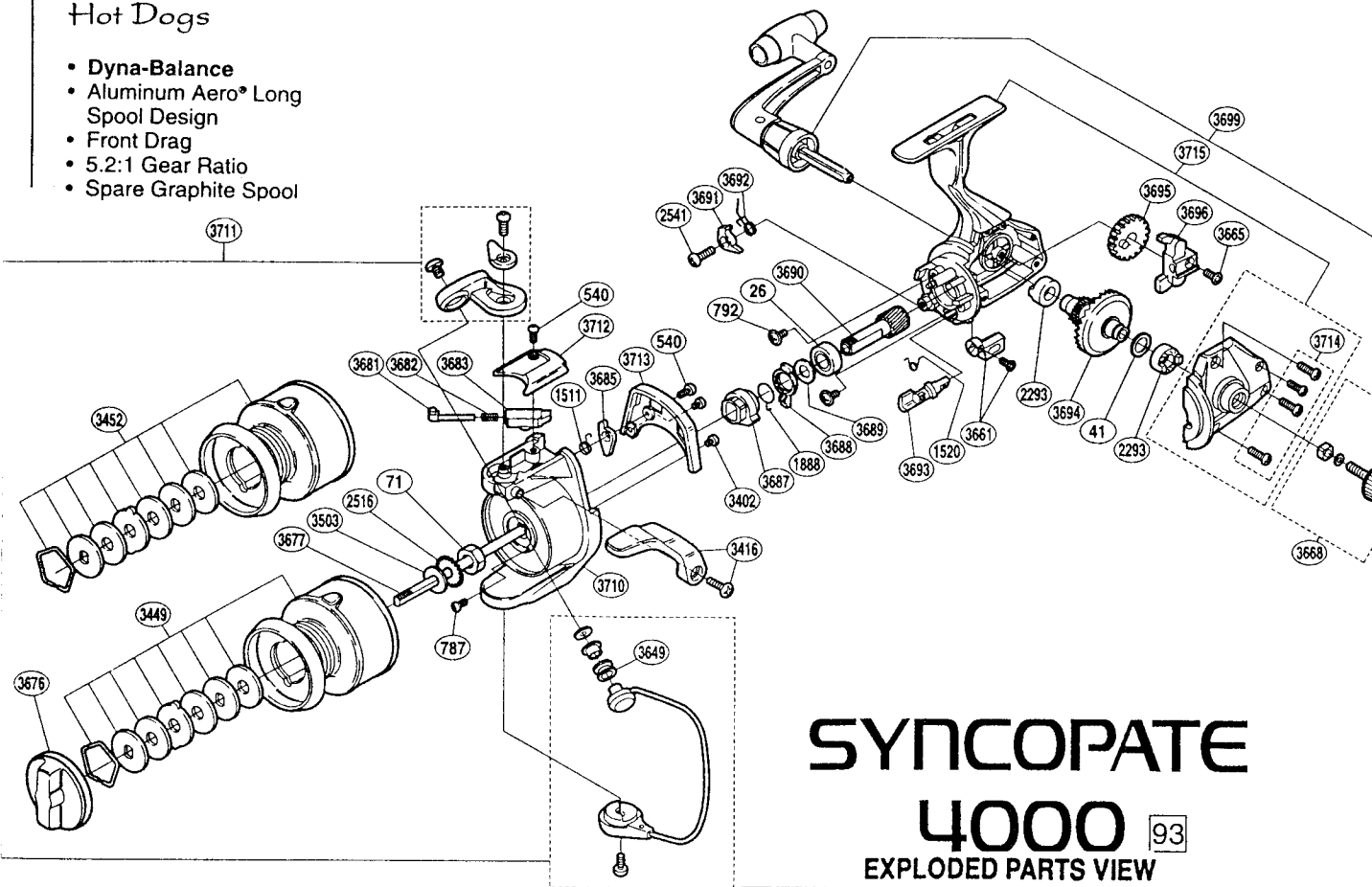


AERO® SYNCOPATE™
Spinning Reels

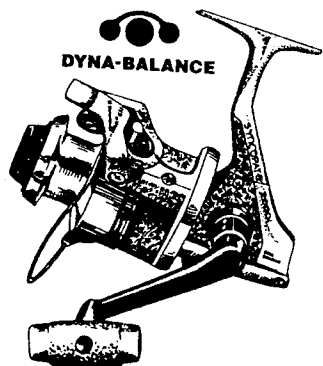
Hot Dogs

- Dyna-Balance
- Aluminum Aero® Long Spool Design
- Front Drag
- 5.2:1 Gear Ratio
- Spare Graphite Spool



SYNCOPATE
4000 93
EXPLODED PARTS VIEW

MODEL NO.	LINE / CAPACITY	GEAR RATIO	WT. (OZ.)	BEARINGS
SC-4000F	8/240,10/200,12/160	5.2:1	11.9	1



Shimano® has been the leader in spinning tackle for many years now. Our spinning reels have proven themselves to be no-risk purchases for consumers who know they can depend on reliable and smooth operation. This year we've expanded upon our solid base of manufacturing technology with a new concept called DynaBalance™. We're really pushing this innovation hard, not only in this manual, but also with advertising, our consumer catalog, and point of purchase displays. We're pushing so hard because we believe that DynaBalance™ is one of the best things to ever happen to spinning tackle.

The new Syncopate™ and the improved Sidestab™ with DynaBalance™ are some of the most exciting spinning reels to ever come along. These sporty, affordable reels give the everyday fisherman smoother retrieves than were available on any other reel, at any cost, just one year ago. Sidestab™ is available in three rear drag models. Syncopate™ is available in three front drag models. Both models come with an aluminum spool and an extra graphite spool.

SC-4000F

PART #	DESCRIPTION	"A" INTERCHANGEABILITY	"B" INTERCHANGEABILITY
RD 0026	Bail Bearing	BNT0807, BR 0037, KXB0028, MLX0025, TGT0223, TLD0123, TT 0117	
RD 0041	Drive Gear Washer	BR 0049, RD 1524, MLX0040, X/Z0150	
RD 0071	Rotor Nut	BR 0010, KXB0073, MLX0096	
RD 0540	Multi Purpose Screw	BNT0689, BR 0066, MCR0021, TGT0068, TLD0056, TT 0187	BR 0470, BR 0539, RD 1506, RD 3088
RD 0787	Nut Lock Screw	BNT0696, BR 0278	RD 1111
RD 0792	Bearing Retainer Screw	BR 0035	RD 0358, TGT0005
RD 1511	Lever Spring		
RD 1520	Anti-Reverse Cam Spring		
RD 1888	Anti-Reverse Lock Out Spring		
RD 2293	Drive Gear Bushing		
RD 2516	Spool Support		
RD 2541	Anti-Reverse Pawl Screw		
RD 3402	Cover Screw		RD 3655
RD 3416	Quick-Fire II Trigger Assembly		RD 3679
RD 3449	Spool Assembly (aluminum)		RD 3930
RD 3452	Spool Assembly (graphite)		RD 3911, RD 3931
RD 3503	Spool Washer		
RD 3649	Line Roller		
RD 3661	Anti-Reverse Lever Assembly		
RD 3665	Slider Retainer Screw		
RD 3668	Handle Screw Cap Assembly		RD 3406
RD 3676	Drag Knob		RD 3414, RD 3501
RD 3677	Main Shaft		
RD 3681	Bail Spring Guide (A)		
RD 3682	Bail Spring		
RD 3783	Bail Spring Guide (B)		
RD 3685	Bail Trip Lever		
RD 3687	Anti-Reverse Ratchet		
RD 3688	Anti-Reverse Lock Out		
RD 3689	Bushing Washer		
RD 3690	Pinion Gear		
RD 3691	Anti-Reverse Pawl		
RD 3692	Anti-Reverse Pawl Spring		
RD 3693	Anti-Reverse Cam		
RD 3694	Drive Gear		
RD 3695	Oscillating Gear		
RD 3696	Oscillating Slider		
RD 3699	Handle Assembly		
RD 3710	Rotor		RD 3678, RD 3731
RD 3711	Bail Assembly		RD 3680
RD 3712	Bail Spring Cover		RD 3684, RD 3734
RD 3713	Counterbalance Cover		RD 3686, RD 3735
RD 3714	Side Cover Screw		RD 3697, RD 3736, RD 3770, RD 3795, RD 3871
RD 3715	Body Assembly		