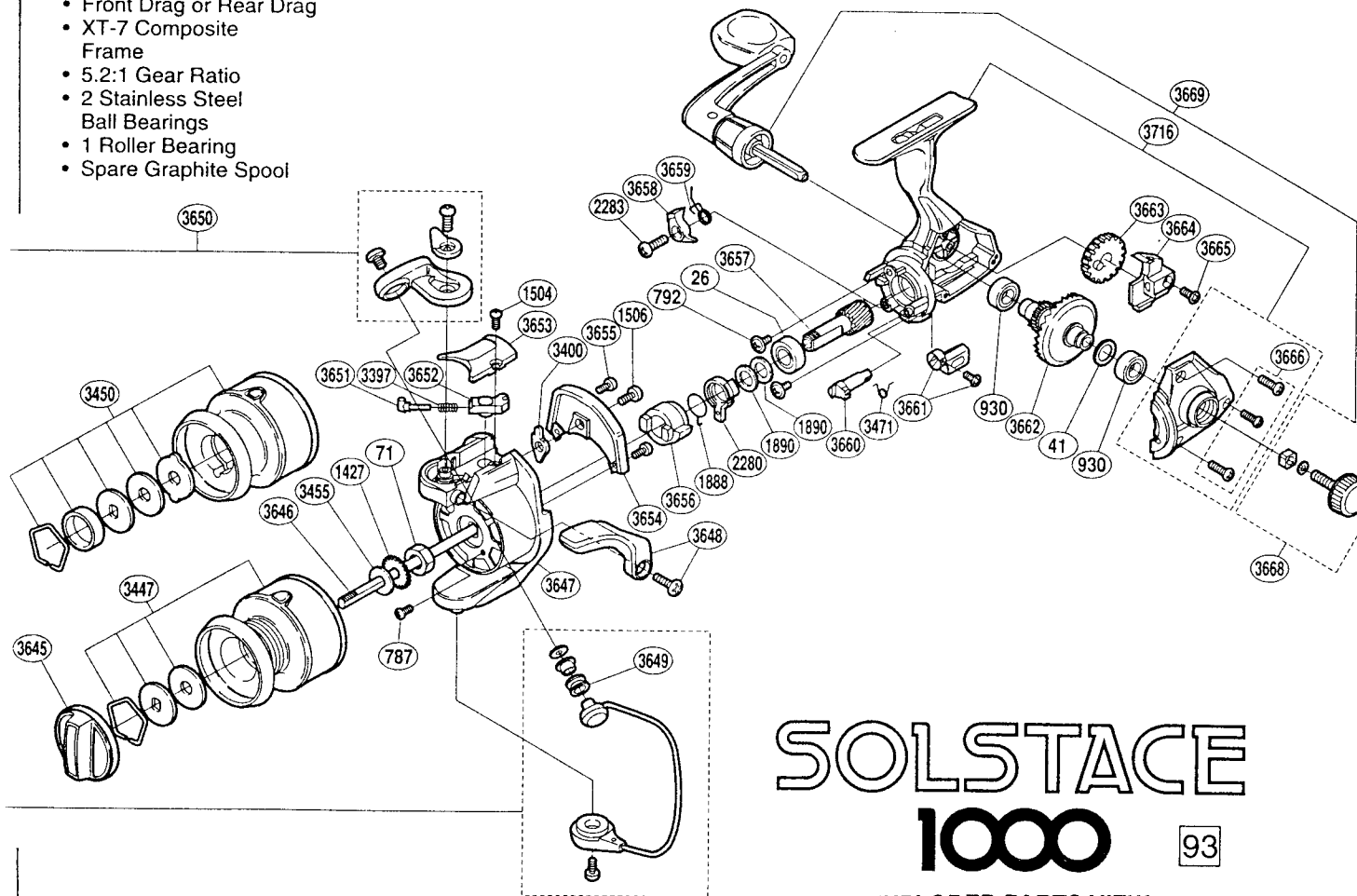


AERO® SOLSTACE™ Spinning Reels

Stylish and Versatile

- Dyna-Balance
- Aluminum Aero® Long Spool Design
- Front Drag or Rear Drag
- XT-7 Composite Frame
- 5.2:1 Gear Ratio
- 2 Stainless Steel Ball Bearings
- 1 Roller Bearing
- Spare Graphite Spool



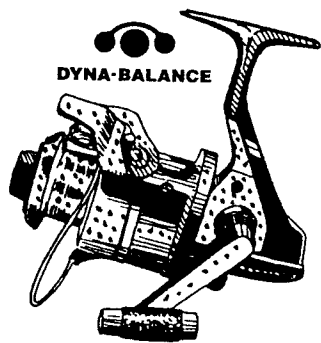
SOLSTACE

1000

93

EXPLODED PARTS VIEW

| MODEL NO. | LINE / CAPACITY | GEAR RATIO | WT. (OZ.) | BEARINGS |
|-----------|-------------------|------------|-----------|----------|
| SO-1000FA | 2/270,4/140,6/110 | 5.2:1 | 8.7 | 3 |



The versatile Solstace™ does everything well. First, and foremost, it's great for sensing fish. The smoothness created by DynaBalance™ and a 3 stainless steel ball bearing drive train lets one feel faint nibbles, that until now went undetected. Second, Solstace™ goes the distance. A drive train with solid gearing and three stainless steel ball bearings at the most critical stress points ensures several years of faithful service. Third, the versatile 5.2:1 gear ratio provides a good balance between high speed land power. The customer wanting a reliable, quality reel will be pleased with the Solstace™.

SO-1000FA

| PART # | DESCRIPTION | "A" INTERCHANGEABILITY | "B" INTERCHANGEABILITY |
|---------|--------------------------------|---|--|
| RD 0026 | Ball Bearing | BNT0807, BR 0037, KXB0028, MLX0025, TGT0223, TLD0123, TT 0117 | |
| RD 0041 | Drive Gear Washer | BR 0049, RD 1524, MLX0040, X/Z0150 | |
| RD 0071 | Rotor Nut | BR 0010, KXB0073, MLX0096 | |
| RD 0787 | Nut Lock Screw | BNT0696, BR 0278 | RD 1111 |
| RD 0792 | Bearing Retainer Screw | BR 0035 | RD 0358, TGT0005 |
| RD 0930 | Ball Bearing | BR 0047 | |
| RD 1427 | Spool Support | BR 0435A, X/Z0089 | |
| RD 1504 | Ball Spring Cover Screw | | RD 1891 |
| RD 1506 | Ball Trip Lever Screw | BR 0470, BR 0539 | BNT0689, BR 0066, MCR0021, TGT0068, TLD0056, TT 0187, RD 0540, RD 3088 |
| RD 1888 | Anti-Reverse Lock Out Spring | | |
| RD 1890 | Bushing Washer | TGT0224 | |
| RD 2280 | Anti-Reverse Lock Out | | |
| RD 2283 | Anti-Reverse Pawl Screw | BR 0557 | |
| RD 3397 | Ball Spring | | |
| RD 3400 | Ball Trip Lever | | |
| RD 3447 | Spool Assembly (aluminum) | | RD 3913 |
| RD 3450 | Spool Assembly (graphite) | | RD 3907, RD 3914 |
| RD 3455 | Spool Washer | | |
| RD 3471 | Anti-Reverse Cam Spring | | |
| RD 3645 | Drag Knob | | RD 3391, RD 3453 |
| RD 3646 | Main Shaft | | |
| RD 3647 | Rotor | | RD 3700, RD 3719 |
| RD 3648 | Quick-Fire II Trigger Assembly | | RD 3394 |
| RD 3649 | Line Roller | | |
| RD 3650 | Ball Assembly | | RD 3701 |
| RD 3651 | Ball Spring Guide (A) | | |
| RD 3652 | Ball Spring Guide (B) | | |
| RD 3653 | Ball Spring Cover | | RD 3702, RD 3722 |
| RD 3654 | Counterbalance Cover | | RD 3703, RD 3723 |
| RD 3655 | Cover Screw | | RD 3402 |
| RD 3656 | Anti-Reverse Ratchet | | |
| RD 3657 | Pinion Gear | | |
| RD 3658 | Anti-Reverse Pawl | | |
| RD 3659 | Anti-Reverse Pawl Spring | | |
| RD 3660 | Anti-Reverse Cam | | |
| RD 3661 | Anti-Reverse Lever Assembly | | |
| RD 3662 | Drive Gear | | |
| RD 3663 | Oscillating Gear | | |
| RD 3664 | Oscillating Slider | | |
| RD 3665 | Slider Retainer Screw | | |
| RD 3666 | Side Cover Screw | | RD 3404, RD 3704, RD 3724, RD 3759 |
| RD 3668 | Handle Screw Cap Assembly | | RD 3406 |
| RD 3669 | Handle Assembly | | |
| RD 3716 | Body Assembly | | |