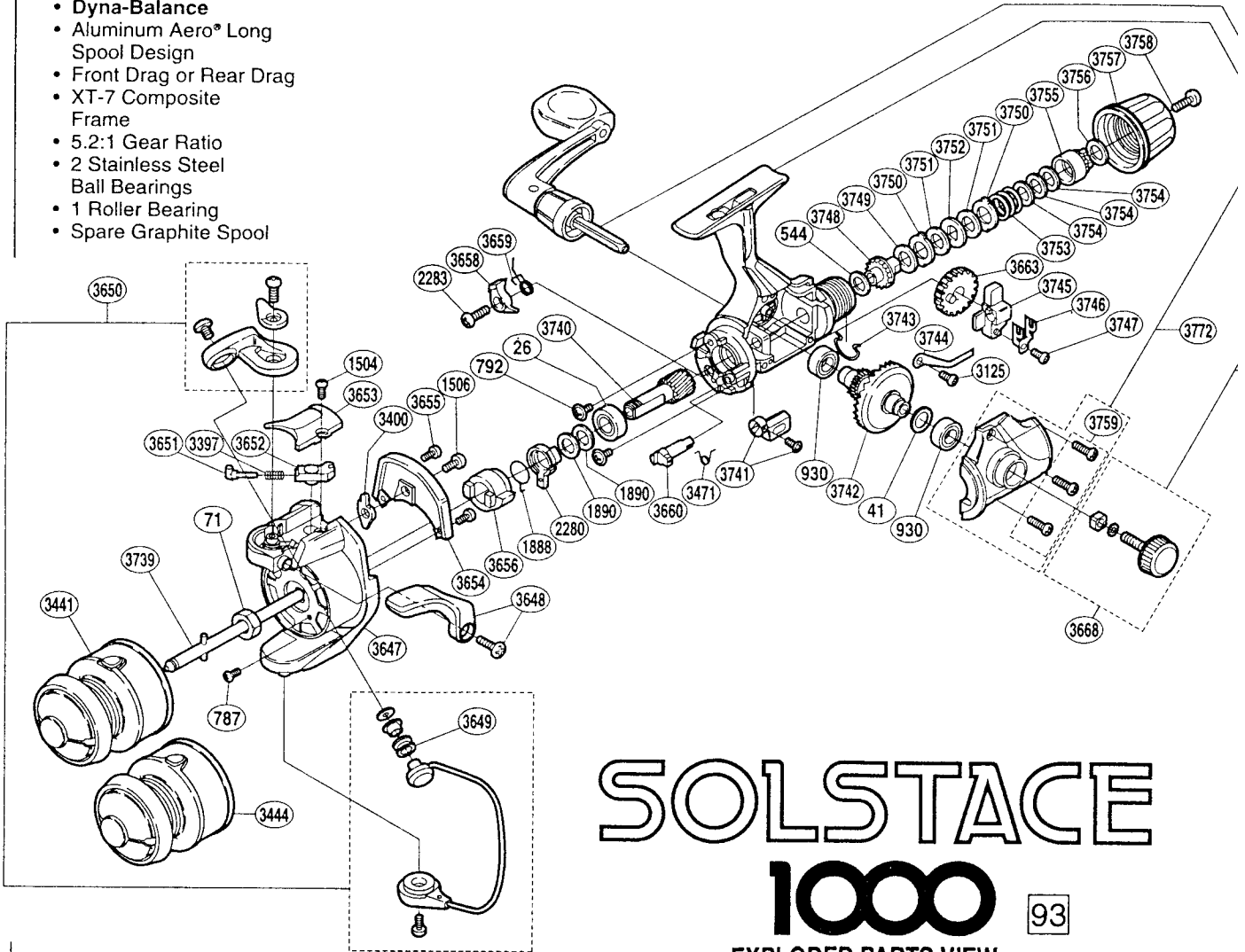


AERO® SOLSTACE™
Spinning Reels

Stylish and Versatile

- Dyna-Balance
- Aluminum Aero® Long Spool Design
- Front Drag or Rear Drag
- XT-7 Composite Frame
- 5.2:1 Gear Ratio
- 2 Stainless Steel Ball Bearings
- 1 Roller Bearing
- Spare Graphite Spool



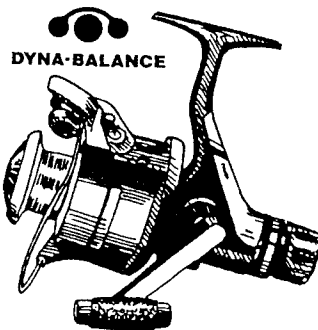
SOLSTACE

1000

93

EXPLODED PARTS VIEW

MODEL NO.	LINE / CAPACITY	GEAR RATIO	WT. (OZ.)	BEARINGS
SO-1000RA	2/270,4/140,6/110	5.2:1	9.3	3



The versatile Solstace™ does everything well. First, and foremost, it's great for sensing fish. The smoothness created by DynaBalance™ and a 3 stainless steel ball bearing drive train lets one feel faint nibbles, that until now went undetected. Second, Solstace™ goes the distance. A drive train with solid gearing and three stainless steel ball bearings at the most critical stress points ensures several years of faithful service. Third, the versatile 5.2:1 gear ratio provides a good balance between high speed land power. The customer wanting a reliable, quality reel will be pleased with the Solstace™.

SC-1000RA

PART #	DESCRIPTION	"A" INTERCHANGEABILITY	"B" INTERCHANGEABILITY
RD 0026	Ball Bearing	BNT0807, BR 0037, KXB0028, MLX0025, TGT0223, TLD0123, TT 0117	
RD 0041	Drive Gear Washer	BR 0049, RD 1524, MLX0040, X/Z0150	
RD 0071	Rotor Nut	BR 0010, KXB0073, MLX0096	
RD 0544	Drag Washer "C" (cloth)	BR 0804	
RD 0787	Nut Lock Screw	BNT0696, BR 0278	RD 1111
RD 0792	Bearing Retainer Screw	BR 0035	RD 0358, TGT0005
RD 0930	Ball Bearing	BR 0047	
RD 1504	Bail Spring Cover Screw		RD 1891
RD 1506	Bail Trip Lever Screw	BR 0470, BR 0539	BNT0689, BR 0066, MCR0021, TGT0068, TLD0056, TT 0187, RD 0540, RD 3088
RD 1888	Anti-Reverse Lock Out Spring		
RD 1890	Bushing Washer	TGT0224	
RD 2280	Anti-Reverse Lock Out		
RD 2283	Anti-Reverse Pawl Screw	BR 0557	
RD 3125	Drag Click Screw		
RD 3397	Bail Spring		
RD 3400	Bail Trip Lever		
RD 3441	Spool Assembly (aluminum)		
RD 3444	Spool Assembly (graphite)		RD 3845
RD 3471	Anti-Reverse Cam Spring		
RD 3647	Rotor		RD 3700, RD 3715
RD 3648	Quick-Fire II Trigger Assembly		RD 3394
RD 3649	Line Roller		
RD 3650	Bail Assembly		RD 3701
RD 3651	Bail Spring Guide (A)		
RD 3652	Bail Spring Guide (B)		
RD 3653	Bail Spring Cover		RD 3702, RD 3722
RD 3654	Counterbalance Cover		RD 3703, RD 3723
RD 3655	Cover Screw		RD 3402
RD 3656	Anti-Reverse Ratchet		
RD 3658	Anti-Reverse Pawl		
RD 3659	Anti-Reverse Pawl Spring		
RD 3660	Anti-Reverse Cam		
RD 3663	Oscillating Gear		
RD 3668	Handle Screw Cap Assembly		RD 3406
RD 3669	Handle Assembly		
RD 3739	Main Shaft		
RD 3740	Pinion Gear		
RD 3741	Anti-Reverse Lever Assembly		
RD 3742	Drive Gear		
RD 3743	Hold Click Spring		
RD 3744	Drag Click		
RD 3745	Oscillating Slider		
RD 3746	Oscillating Slider Retainer		
RD 3747	Slider Retainer Screw		
RD 3748	Drag Shaft	BR 0805	
RD 3749	Drag Washer "C" (white)		
RD 3750	Eared Washer "B"		
RD 3751	Drag Washer "C" (blue)		
RD 3752	Key Washer "A"		
RD 3753	Drag Coil Spring		
RD 3754	Drag Spring Washer		
RD 3755	Pressure Screw		
RD 3756	Drag Knob Spacer		
RD 3757	Drag Knob		RD 3859
RD 3758	Drag Knob Screw	BR 0814	RD 3787
RD 3759	Side Cover Screw		RD 3404, RD 3666, RD 3704, RD 3724
RD 3772	Body Assembly		