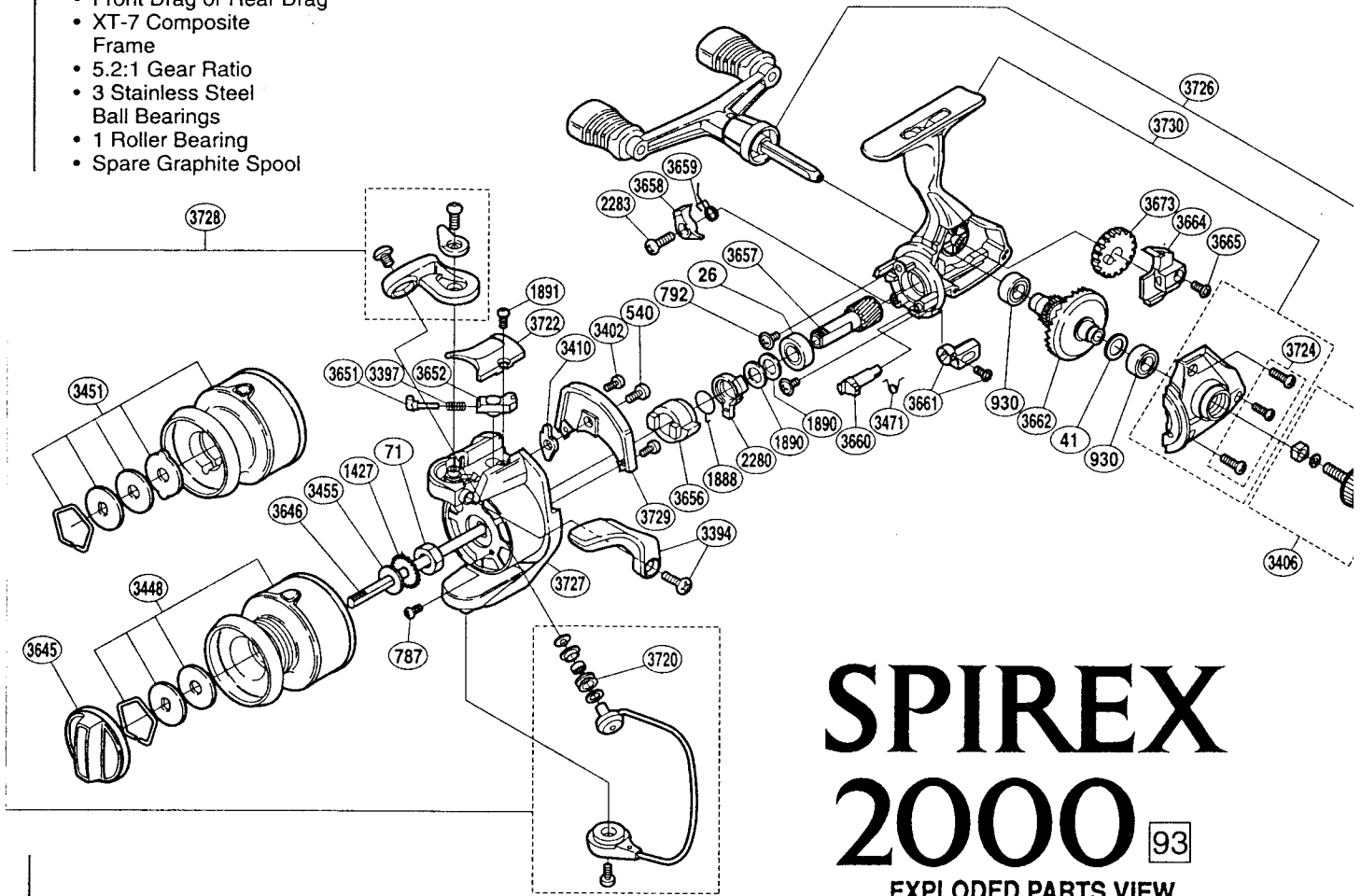


AERO® SPIREX™  
Spinning Reels

*Double Trouble*

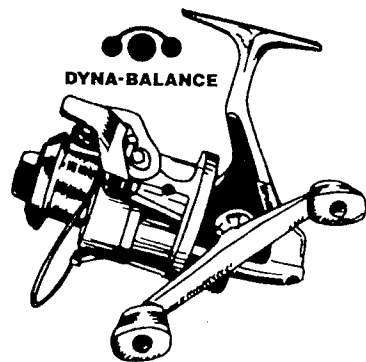
- Dyna-Balance
- Aluminum Aero® Long Spool Design
- Front Drag or Rear Drag
- XT-7 Composite Frame
- 5.2:1 Gear Ratio
- 3 Stainless Steel Ball Bearings
- 1 Roller Bearing
- Spare Graphite Spool



# SPIREX 2000 93

EXPLODED PARTS VIEW

MODEL NO.	LINE / CAPACITY	GEAR RATIO	WT. (OZ.)	BEARINGS
SR-2000F	6/170,8/120,10/100	5.2:1	9.5	4



You'll definitely do a double-take when you see Spirex™. It might seem a little strange seeing a double paddle handle on a spinning reel, but just wait until you give it a spin. The double paddle handle enhances the effect of ultra-smooth DynaBalance™ to an even further extreme. We double-dog dare you to find anything smoother.

Spirex™ is loaded with all kinds of great attributes. It has a choice of front or rear drags, 4 ball bearings, an oversized line guide roller, and a spare graphite spool. Spools are long cast design and tapered for improved casting over standard spools. On top of all this, Spirex™ is moderately priced.

## SR-2000F

PART #	DESCRIPTION	"A" INTERCHANGEABILITY	"B" INTERCHANGEABILITY
RD 0026	Ball Bearing	BNT0807, BR 0037, KXB0028, MLX0025, TGT0223, TLD0123, TT 0117	
RD 0041	Drive Gear Washer	BR 0049, RD 1524, MLX0040, X/Z0150	
RD 0071	Rotor Nut	BR 0010, KXB0073, MLX0096	
RD 0540	Bail Trip Lever Screw	BNT0689, BR 0066, MCR0021, TGT0068, TLD0056, TT 0187	BR 0470, BR 0539, RD 1506, RD 3088
RD 0787	Nut Lock Screw	BNT0696, BR 0278	RD 1111
RD 0792	Bearing Retainer Screw	BR 0035	RD 0358, TGT0005
RD 0930	Ball Bearing	BR 0047	
RD 1427	Spool Support	BR 0435A, X/Z0089	
RD 1888	Anti-Reverse Lock Out Spring		
RD 1890	Bushing Washer	TGT0224	
RD 1891	Bail Spring Cover Screw		RD 1504
RD 2280	Anti-Reverse Lock Out		
RD 2283	Anti-Reverse Pawl Screw	BR 0557	
RD 3394	Quick-Fire II Trigger Assembly		RD 3648
RD 3397	Bail Spring		
RD 3402	Cover Screw		RD 3655
RD 3406	Handle Screw Cap Assembly		RD 3668
RD 3410	Bail Trip Lever		
RD 3448	Spool Assembly (aluminum)		
RD 3451	Spool Assembly (graphite)		
RD 3455	Spool Washer		
RD 3471	Anti-Reverse Cam Spring		
RD 3645	Drag Knob		RD 3391, RD 3453
RD 3646	Main Shaft		
RD 3651	Bail Spring Guide (A)		
RD 3652	Bail Spring Guide (B)		
RD 3656	Anti-Reverse Ratchet		
RD 3657	Pinion Gear		
RD 3658	Anti-Reverse Pawl		
RD 3659	Anti-Reverse Pawl Spring		
RD 3660	Anti-Reverse Cam		
RD 3661	Anti-Reverse Lever Assembly		
RD 3662	Drive Gear		
RD 3664	Oscillating Slider		
RD 3665	Slider Retainer Screw		
RD 3673	Oscillating Gear		
RD 3720	Line Roller		
RD 3722	Bail Spring Cover		RD 3653, RD 3702
RD 3724	Side Cover Screw		RD 3666, RD 3404, RD 3704, RD 3759
RD 3726	Double Paddle Handle Assembly		RD 3861
RD 3727	Rotor		RD 3670, RD 3706
RD 3728	Bail Assembly		
RD 3729	Counterbalance Cover		RD 3672, RD 3708
RD 3730	Body Assembly		