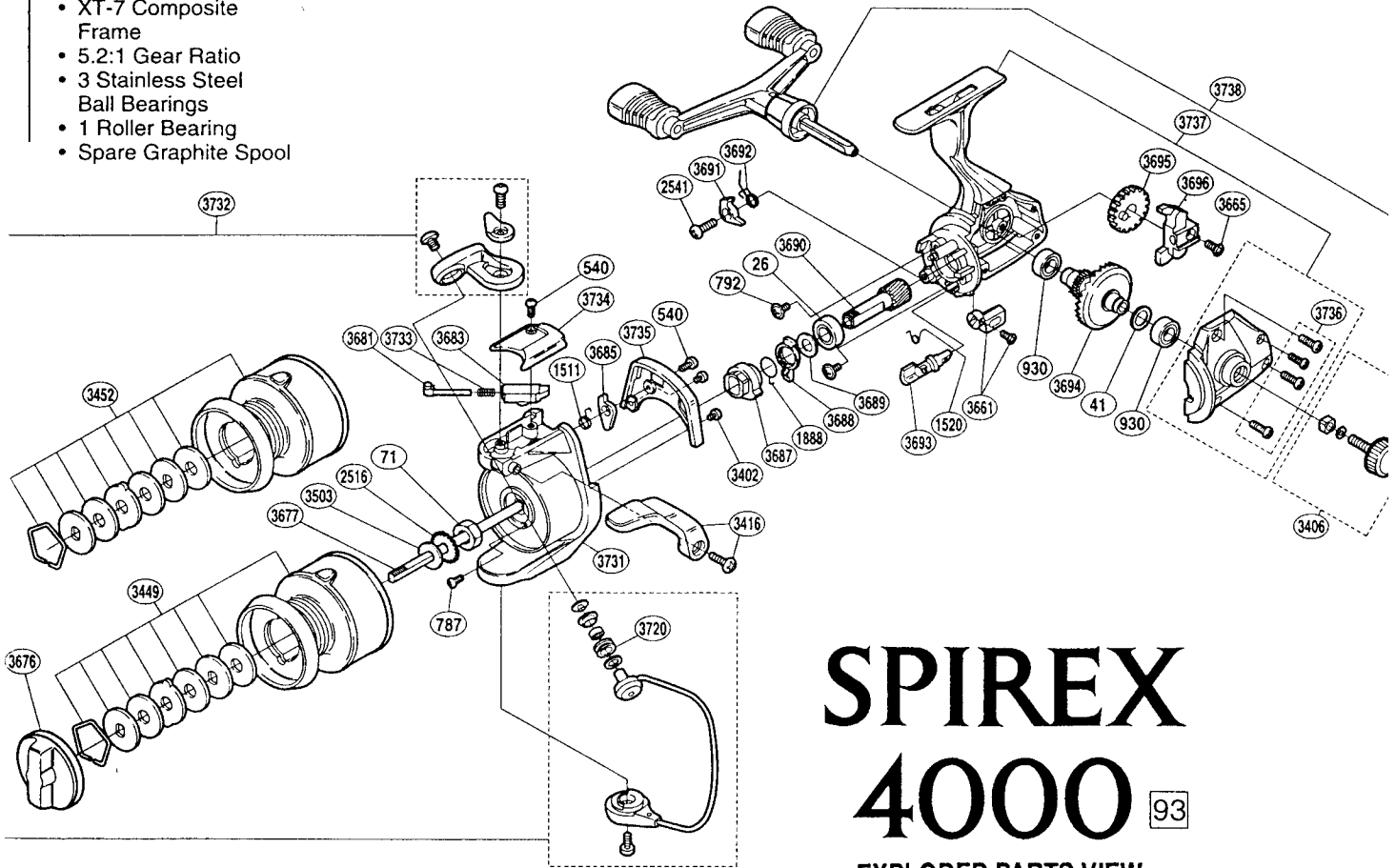


AERO® SPIREX™
Spinning Reels

Double Trouble

- **Dyna-Balance**
- Aluminum Aero® Long Spool Design
- Front Drag or Rear Drag
- XT-7 Composite Frame
- 5.2:1 Gear Ratio
- 3 Stainless Steel Ball Bearings
- 1 Roller Bearing
- Spare Graphite Spool



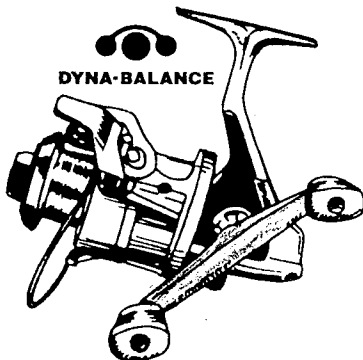
SPIREX 4000 93

EXPLODED PARTS VIEW

MODEL NO.	LINE / CAPACITY	GEAR RATIO	WT. (OZ.)	BEARINGS
SR-4000F	8/240,10/200,12/160	5.2:1	12.3	4

You'll definitely do a double-take when you see Spirex™. It might seem a little strange seeing a double paddle handle on a spinning reel, but just wait until you give it a spin. The double paddle handle enhances the effect of ultra-smooth DynaBalance™ to an even further extreme. We double-dog dare you to find anything smoother.

Spirex™ is loaded with all kinds of great attributes. It has a choice of front or rear drags, 4 ball bearings, an oversized line guide roller, and a spare graphite spool. Spools are long cast design and tapered for improved casting over standard spools. On top of all this, Spirex™ is moderately priced.



SR-4000F

PART #	DESCRIPTION	"A" INTERCHANGEABILITY	"B" INTERCHANGEABILITY
RD 0026	Ball Bearing	BNT0807, BR 0037, KXB0028, MLX0025, TGT0223, TLD0123, TT 0117	
RD 0041	Drive Gear Washer	BR 0049, RD 1524, MLX0040, X/Z0150	
RD 0071	Rotor Nut	BR 0010, KXB0073, MLX0096	
RD 0540	Multi Purpose Screw	BNT0689, BR 0066, MCR0021, TGT0068, TLD0056, TT 0187	BR 0470, BR 0539, RD 1506, RD 3088
RD 0787	Nut Lock Screw	BNT0696, BR 0278	RD 1111
RD 0792	Bearing Retainer Screw	BR 0035	RD 0358, TGT0005
RD 0930	Ball Bearing	BR 0047	
RD 1511	Lever Spring		
RD 1520	Anti-Reverse Cam Spring		
RD 1888	Anti-Reverse Lock Out Spring		
RD 2516	Spool Support		
RD 2541	Anti-Reverse Pawl Screw		
RD 3402	Cover Screw		RD 3655
RD 3406	Handle Screw Cap Assembly		RD 3668
RD 3416	Quick-Fire II Trigger Assembly		RD 3679
RD 3449	Spool Assembly (aluminum)		RD 3930
RD 3452	Spool Assembly (graphite)		RD 3911, RD 3931
RD 3503	Spool Washer		
RD 3661	Anti-Reverse Lever Assembly		
RD 3665	Slider Retainer Screw		
RD 3676	Drag Knob		RD 3414, RD 3501
RD 3677	Main Shaft		
RD 3681	Bail Spring Guide (A)		
RD 3783	Bail Spring Guide (B)		
RD 3685	Bail Trip Lever		
RD 3687	Anti-Reverse Ratchet		
RD 3688	Anti-Reverse Lock Out		
RD 3689	Bushing Washer		
RD 3690	Pinion Gear		
RD 3691	Anti-Reverse Pawl		
RD 3692	Anti-Reverse Pawl Spring		
RD 3693	Anti-Reverse Cam		
RD 3694	Drive Gear		
RD 3695	Oscillating Gear		
RD 3696	Oscillating Slider		
RD 3720	Line Roller		
RD 3731	Rotor		RD 3678, RD 3710
RD 3732	Bail Assembly		
RD 3733	Bail Spring		
RD 3734	Bail Spring Cover		RD 3684, RD 3712
RD 3735	Counterbalance Cover		RD 3686, RD 3713
RD 3736	Side Cover Screw		RD 3697, RD 3714, RD 3770, RD 3795, RD 3876
RD 3737	Body Assembly		
RD 3738	Double Paddle Handle Assembly		RD 3878