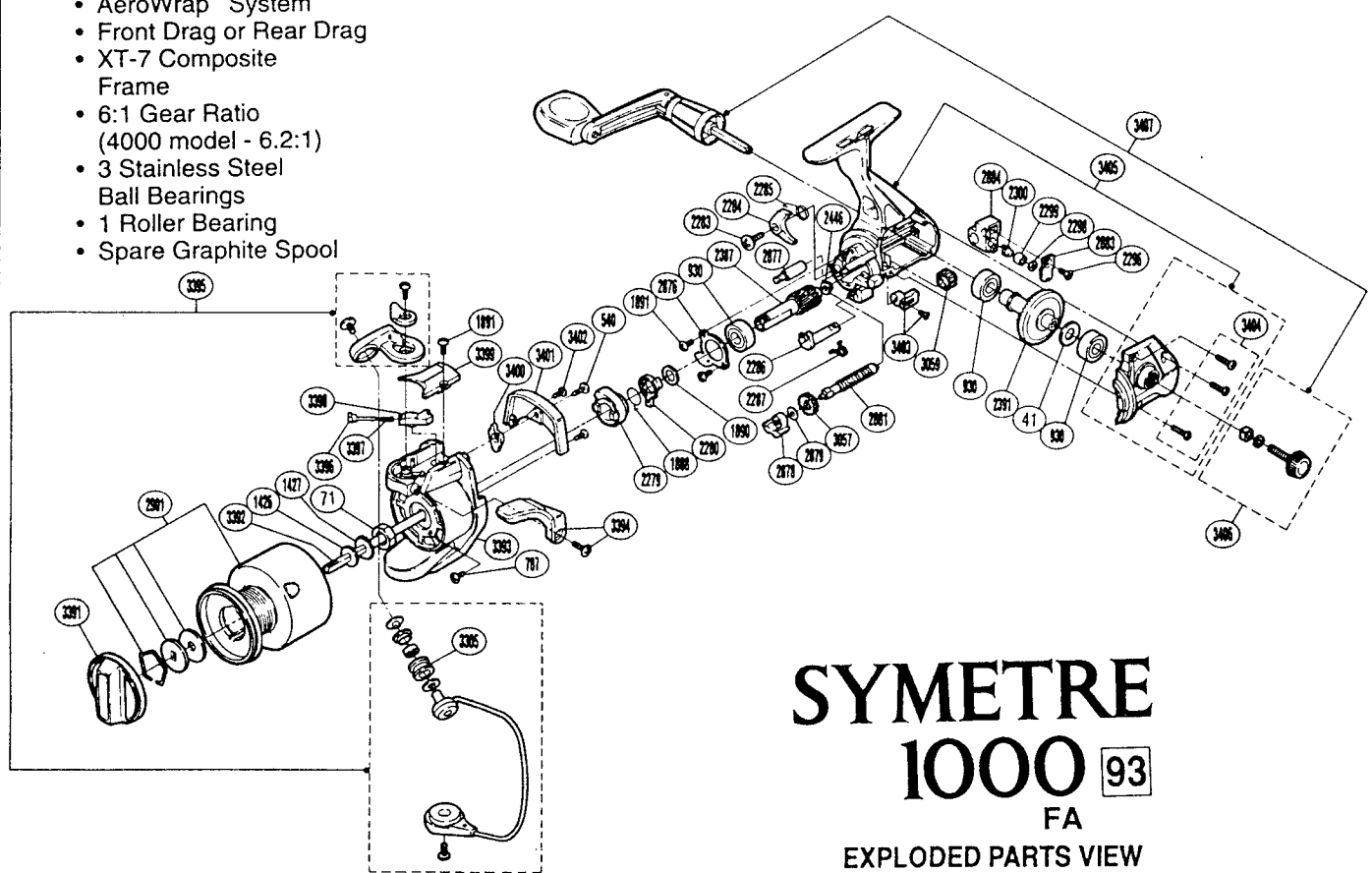


AERO® SYMETRE™
Spinning Reels

Complete

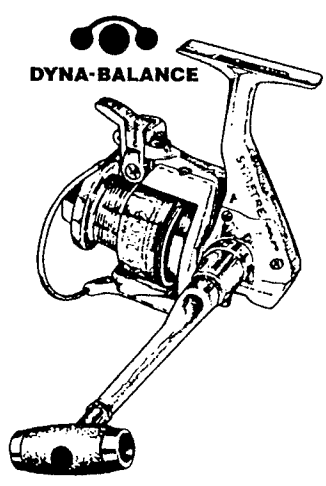
- **Dyna-Balance**
- Aluminum Aero® Long Spool Design
- AeroWrap™ System
- Front Drag or Rear Drag
- XT-7 Composite Frame
- 6:1 Gear Ratio (4000 model - 6.2:1)
- 3 Stainless Steel Ball Bearings
- 1 Roller Bearing
- Spare Graphite Spool



SYMETRE
1000 93
FA

EXPLODED PARTS VIEW

MODEL NO.	LINE / CAPACITY	GEAR RATIO	WT. (OZ.)	BEARINGS
SY-1000FA	2/270,4/140,6/110	6.0:1	8.4	4



Symetre™ has everything the very serious angler needs. This year Symetre™ has been heavily upgraded with DynaBalance™, an oversized line roller, the addition of a fourth stainless steel ball bearing, the inclusion of a spare graphite spool, and improved cosmetics! Great features such as high speed gear ratios and AeroWrap™ for improved casting performance remain from last year to satisfy this demanding consumer.

Additionally, Symetre™ offers a choice of both front and rear drag models in all 3 sizes. Rear drag models feature Fightin' Drag II®, the most user-friendly system available as far as adjustments are concerned. QuickFire II® is also found on all models of Symetre™, enabling quick, one-handed casting.

SY-1000FA

PART #	DESCRIPTION	"A" INTERCHANGEABILITY	"B" INTERCHANGEABILITY
RD 0041	Drive Gear Washer	BR 0049, RD 1524, MLX0040, X/Z0150.	
RD 0071	Rotor Nut	BR 0010, KXB0073, MLX0096.	
RD 0540	Bail Trip Lever Screw	BNT0689, BR 0066, MCR0021, TGT0068, TLD0056, TT 0187	BR 0470, BR 0539, RD 1506, RD 3088.
RD 0787	Nut Lock Screw	BNT0696, BR 0278.	RD 1111.
RD 0930	Ball Bearing	BR 0047.	
RD 1426	Spool Washer	BR 0277.	
RD 1427	Spool Support	BR 0435A, X/Z0089.	
RD 1888	Anti-Reverse Lockout Spring		
RD 1890	Bushing Washer	TGT0224.	
RD 1891	Multi-Purpose Screw		RD 1504.
RD 2279	Anti-Reverse Ratchet		
RD 2280	Anti-Reverse Lock Out		
RD 2283	Anti-Reverse Pawl Screw	BR 0557.	
RD 2284	Anti-Reverse Pawl		
RD 2285	Anti-Reverse Pawl Spring		
RD 2286	Anti-Reverse Cam		
RD 2287	Anti-Reverse Cam Spring		
RD 2296	Slider Retainer Screw	BR 0511.	
RD 2298	Spacer	BR 0513.	
RD 2299	Oscillating Slider Bushing	BR 0514.	
RD 2300	Oscillating Pawl	BR 0515.	
RD 2387	Pinion Gear		
RD 2391	Drive Gear		
RD 2446	Bushing		
RD 2876	Bearing Retainer		
RD 2877	Idle Gear (B) Shaft		
RD 2878	Worm Bearing		
RD 2879	Worm Shaft Spacer		
RD 2881	Worm Shaft		
RD 2883	Oscillating Pawl Cover		
RD 2884	Oscillating Slider		
RD 2901	Spool Assembly #1000F		
RD 3057	Idle Gear (A)		
RD 3059	Idle Gear (B)		
RD 3305	SiC Ceramic Roller		
RD 3391	Drag Knob		RD 3453, RD 3645.
RD 3392	Main Shaft		
RD 3393	Rotor		
RD 3394	Quick-Fire II Trigger Assembly		RD 3648.
RD 3395	Bail Assembly		
RD 3396	Bail Spring Guide (A)		
RD 3397	Bail Spring		
RD 3398	Bail Spring Guide (B)		
RD 3399	Bail Spring Cover		
RD 3400	Bail Trip Lever		
RD 3401	Counterbalance Cover		
RD 3402	Cover Screw		RD 3655.
RD 3403	Anti-Reverse Lever Assembly		RD 3826.
RD 3404	Side Cover Screws		RD 3666, RD 3704, RD 3724, RD 3759.
RD 3405	Body Assembly		
RD 3406	Handle Screw Cap Assembly		RD 3668.
RD 3407	Handle Assembly		