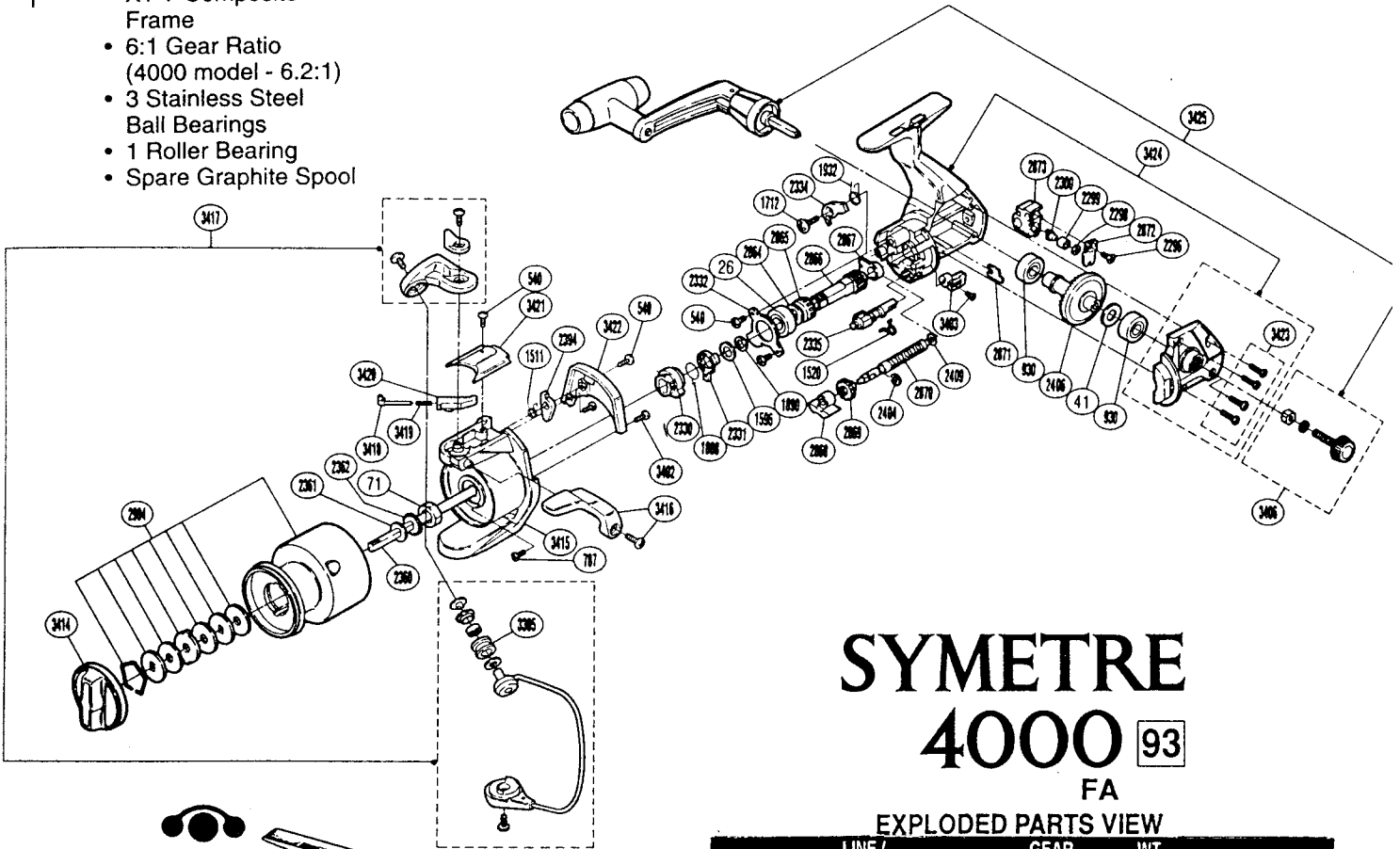


AERO® SYMETRE™  
Spinning Reels

Complete

- Dyna-Balance
- Aluminum Aero® Long Spool Design
- AeroWrap™ System
- Front Drag or Rear Drag
- XT-7 Composite Frame
- 6:1 Gear Ratio (4000 model - 6.2:1)
- 3 Stainless Steel Ball Bearings
- 1 Roller Bearing
- Spare Graphite Spool



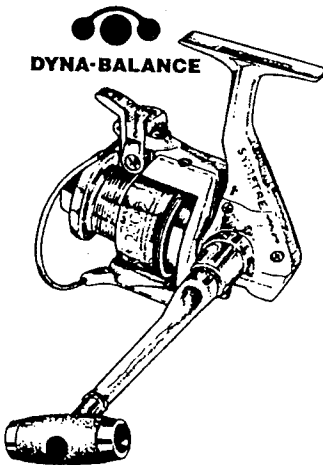
# SYMETRE 4000 93 FA

EXPLODED PARTS VIEW

MODEL NO.	LINE / CAPACITY	GEAR RATIO	WT. (OZ.)	BEARINGS
SY-4000FA	8/240,10/200,12/160	6.2:1	12.2	4

Symetre™ has everything the very serious angler needs. This year Symetre™ has been heavily upgraded with DynaBalance™, an oversized line roller, the addition of a fourth stainless steel ball bearing, the inclusion of a spare graphite spool, and improved cosmetics! Great features such as high speed gear ratios and AeroWrap™ for improved casting performance remain from last year to satisfy this demanding consumer.

Additionally, Symetre™ offers a choice of both front and rear drag models in all 3 sizes. Rear drag models feature Fightin' Drag II®, the most user-friendly system available as far as adjustments are concerned. QuickFire II® is also found on all models of Symetre™, enabling quick, one-handed casting.



PART #	DESCRIPTION	"A" INTERCHANGEABILITY	"B" INTERCHANGEABILITY
RD 0026	Ball Bearing	BNT0807, BR 0037, KXB0028, MLX0025, TGT0223, TLD0123, TT 0117	
RD 0041	Drive Gear Washer	BR 0049, RD 1524, KXB0040, X/Z0150.	
RD 0071	Rotor Nut	BR 0010, KXB0073, MLX0096.	
RD 0540	Multi-Purpose Screw	BNT0689, BR 0066, MCR0021, BR 0470, BR 0539, TGT0068, TLD0056, TT 0187, RD 1506, RD 3088	
RD 0787	Nut Lock Screw	BNT0696, BR 0278.	RD 1111.
RD 0930	Ball Bearing	BR 0047.	
RD 1511	Lever Spring		
RD 1520	Anti-Reverse Cam Spring		
RD 1596	Bushing Washer		
RD 1712	Anti-Reverse Pawl Screw		
RD 1888	Anti-Reverse Lock Out Spring		
RD 1890	Bushing Washer	TGT0224.	
RD 1932	Anti-Reverse Pawl Spring		
RD 2296	Slider Retainer Screw	BR 0511.	
RD 2298	Spacer	BR 0513.	
RD 2299	Oscillating Slider Bushing	BR 0514.	
RD 2300	Oscillating Pawl	BR 0515.	
RD 2330	Anti-Reverse Ratchet		
RD 2331	Anti-Reverse Lock Out		
RD 2332	Bearing Retainer		
RD 2334	Anti-Reverse Pawl		
RD 2335	Anti-Reverse Cam		
RD 2360	Main Shaft		
RD 2361	Spool Washer	BR 0531.	
RD 2362	Spool Support	BR 0532.	
RD 2394	Ball Trip Lever		
RD 2404	Idle Gear Retainer	BB 0052, BNT0686, RD 0189, BR 0022, BR 0481, TGT0062, TLD0018, TRN0043, TRN0090, TT 0069	
RD 2406	Drive Gear		
RD 2409	Worm Shaft Spacer		
RD 2864	Pinion Idle Gear Washer		
RD 2865	Pinion Idle Gear		
RD 2866	Pinion Gear		
RD 2867	Bushing		
RD 2868	Worm Bearing		
RD 2869	Idle Gear		
RD 2870	Worm Shaft		
RD 2871	Worm Shaft Retainer		
RD 2872	Oscillating Pawl Cover		
RD 2873	Oscillating Slider		
RD 2904	Spool Assembly		RD 2359.
RD 3305	SiC Ceramic Roller		
RD 3402	Cover Screw		RD 3655.
RD 3403	Anti-Reverse Lever Assembly		RD 3826.
RD 3406	Handle Screw Cap Assembly		RD 3668.
RD 3414	Drag Knob		RD 3501, RD 3676.
RD 3415	Rotor		
RD 3416	Quick-Fire II Trigger Assembly		RD 3679.
RD 3417	Bail Assembly		
RD 3418	Bail Spring Guide (A)		
RD 3419	Bail Spring		
RD 3420	Bail Spring Guide (B)		
RD 3421	Bail Spring Cover		
RD 3422	Counterbalance Cover		
RD 3423	Side Cover Screws		
RD 3424	Body Assembly		
RD 3425	Handle Assembly		