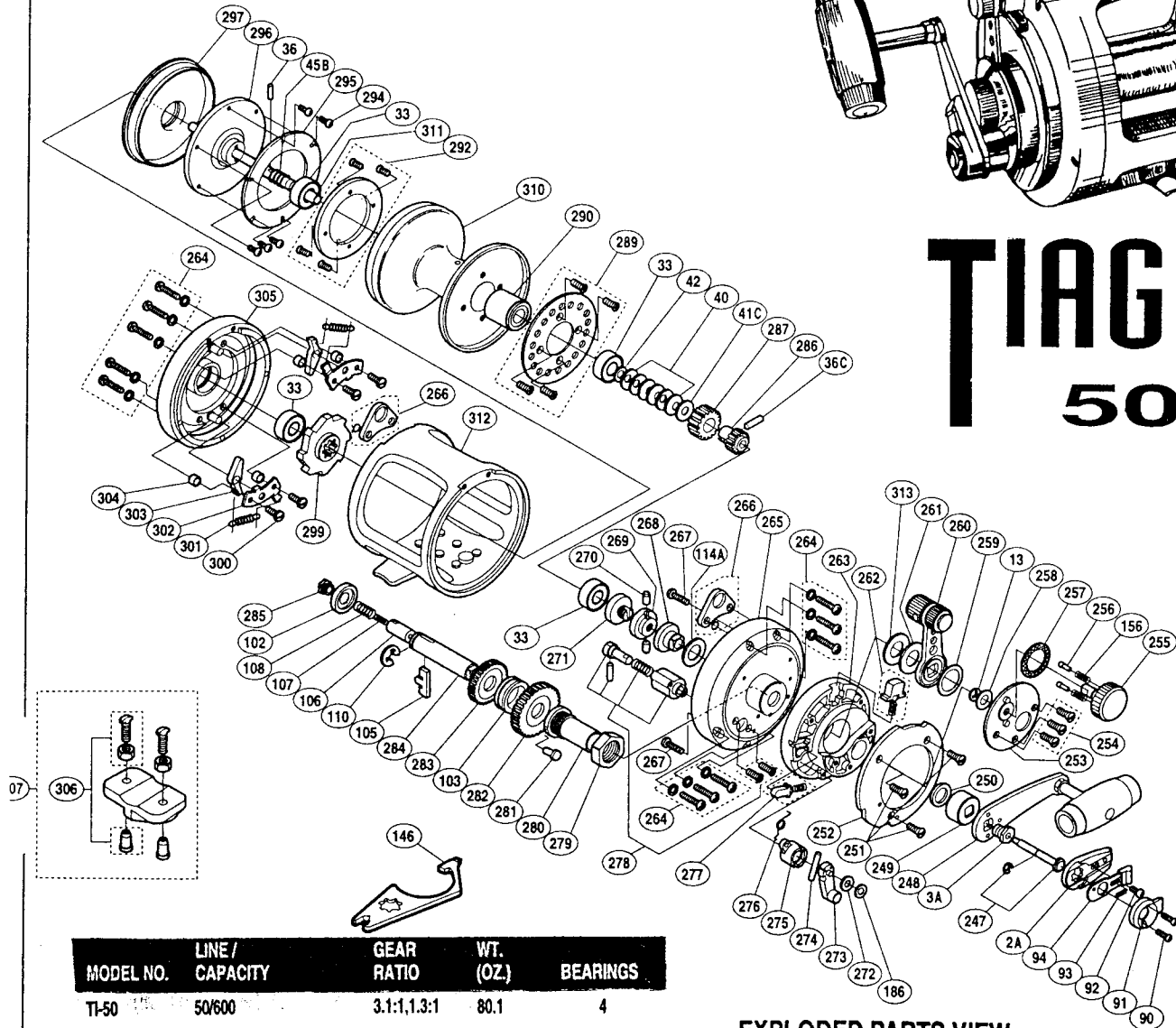


TIAGRA 50



MODEL NO.	LINE / CAPACITY	GEAR RATIO	WT. (OZ.)	BEARINGS
TI-50	50/600	3.1:1, 1.3:1	80.1	4

EXPLODED PARTS VIEW

**TIAGRA™
Big Game Reels**

High Tech -----
High Class

- Strong, Lightweight One Piece Body
- 4 Shielded Stainless Steel Ball Bearings
- Die-cast Aluminum Spool

There are times when a new technology will cause the rules of the game to be rewritten. The jet engine, the semiconductor, and composite materials are just a few examples. Though the impact isn't quite on the same scale, the new Tiagra is about to rewrite the rules of big game fishing.

The overriding rule of big game fishing is that these tough animals are capable of fighting for hours, repeatedly making long runs that can heat up a drag. This heat causes the drag setting to change, making the chances of landing a fish slimmer. The new Shimano® Hydrothermal™ Drag System rewrites the rule on heat as it automatically compensates for heat to keep the original drag setting intact. What's more is that the Tiagra's pre-lubricated graphite drag washer's operation is impervious to saltwater and starts smoothly.

Another major rule of big game fishing is that between a 40 lb. marlin pulling on one end, and the leverage created by an angler in a fighting chair on the other, a lot of force is placed on the tackle. That is why Tiagra's one-piece frame is machined right out of a solid aluminum tube. It's also why Tiagra has 4 shielded stainless steel ball bearings, heavy duty stainless steel gears, and a two speed shifting mechanism where the pinion and drive gears are continuously engaged.

A more subtle rule of this sport is that it should be done with class. The Tiagra™ certainly does that. The large handle knob is counterweighted so that it always rests in an easy to grab vertical position. The unique preset knob has detents with approximately 1/2 pound increments for easy adjustment. A 89 decibels the super loud clicker is the loudest found on any production reel. The rod clamp assembly has been made easy to remove. There is no longer a need to remove the line to remove this assembly, making storage much easier. Finally, custom appearance I.G.F.A. Tiagra™ trolling rods are available to complete your trolling needs (see rod section).

PART #	DESCRIPTION	'A' INTERCHANGEABILITY	'B' INTERCHANGEABILITY
TT 0002A	Handle Bolt Plate		
TT 0003A	Handle Bolt		
TT 0013	1/2" Lock		
TT 0033	Ball Bearing		
TT 0036	Cross Pin (A)		
TT 0036C	Cross Pin (B)		
TT 0040	Pre Load Spring	TGT0092	
TT 0041C	Pre Load Washer		
TT 0042	Bearing Thrust Washer	TGT0091	
TT 0045B	Pressure Plate Spring		
TT 0060	Push Button Shield Screw		KXB0044,MLX0043,RD 0038,X/Z0088,RD 0341
TT 0061	Push Button Shield		
TT 0062	Handle Bolt Plate Screw	RD 0101	
TT 0063	Slide Plate Spring		
TT 0064	Slide Plate		
TT 0102	Friction Washer (A)		
TT 0103	Friction Washer (B)		
TT 0105	Gear Select Cross Bar		
TT 0106	Cross Bar Stop		
TT 0107	Drive Shaft Spring "B"		
TT 0108	Drive Shaft Spring		
TT 0110	1/2" Lock		
TT 0114A	Lever Shaft Body Washer		
TT 0146	Wrench		
TT 0156	Friction Shoe Spring	TLD0180	
TT 0186	Spacer (B)	BNT0687,TGT0070,TLD0052,TRN0105	
TT 0247	Push "Low" Button Shaft		
TT 0248	Handle Assembly		
TT 0249	Drive Shaft Shield		
TT 0250	Drive Shaft Washer		
TT 0251	Quadrant Anchor Bolts		
TT 0252	Lever Quadrant		
TT 0253	Lever Hub Cover		
TT 0254	Cover Screw		
TT 0255	Pre Program Dial		
TT 0256	Dial Click Shoe	RD 2628	
TT 0257	Dial Click		
TT 0258	Dial Washer		
TT 0259	Lever Thrust Ring A		
TT 0260	Drag Control Lever		
TT 0261	Lever Thrust Ring B-1		
TT 0262	Strike Stop		
TT 0263	Right Side Plate (B)		
TT 0264	Side Plate Screw		
TT 0265	Right Side Plate (A)		
TT 0266	Harness Lugs		
TT 0267	Right Side Plate (B) Screw	TGT0216	TGT0008,TGT0081,TLD0024
TT 0268	Lever Shaft Body		
TT 0269	Pre Program Key		
TT 0270	Pre Program Key Pin		
TT 0271	Pre Program Screw		
TT 0272	Spacer (A)		
TT 0273	Strike Alert Lever		
TT 0274	Plunger Cross Pin (B)		
TT 0275	Plunger Cross Pin Support		
TT 0276	Cross Pin Support Spring		
TT 0277	Free Spool Detent		
TT 0278	Alert Plunger Assembly		
TT 0279	Holder Nut		
TT 0280	Drive Shaft Holder		
TT 0281	Lock Pin		
TT 0282	Drive Gear (A)		
TT 0283	Drive Gear (B)		
TT 0284	Drive Shaft		
TT 0285	Drive Shaft Screw		
TT 0286	Pinion Gear (A)		
TT 0287	Pinion Gear (B)		
TT 0288	Alert Ratchet		
TT 0290	Piston Assembly		
TT 0292	Drag Plate		
TT 0294	Drag Washer Screw		
TT 0295	Drag Washer		
TT 0296	Pressure Plate		
TT 0297	Cooling Shield		
TT 0299	Anti-Reverse Ratchet		
TT 0300	Set Plate Screw		
TT 0301	Dog Spring		
TT 0302	Set Plate		
TT 0303	Dog		
TT 0304	Set Plate Support		
TT 0305	Left Side Plate		
TT 0306	Rod Clamp Bolt/Nuts		
TT 0307	Rod Clamp Assembly		
TT 0310	Spool		
TT 0311	Main Shaft		
TT 0312	One-Piece Frame		
TT 0313	Lever Thrust Ring B-2		