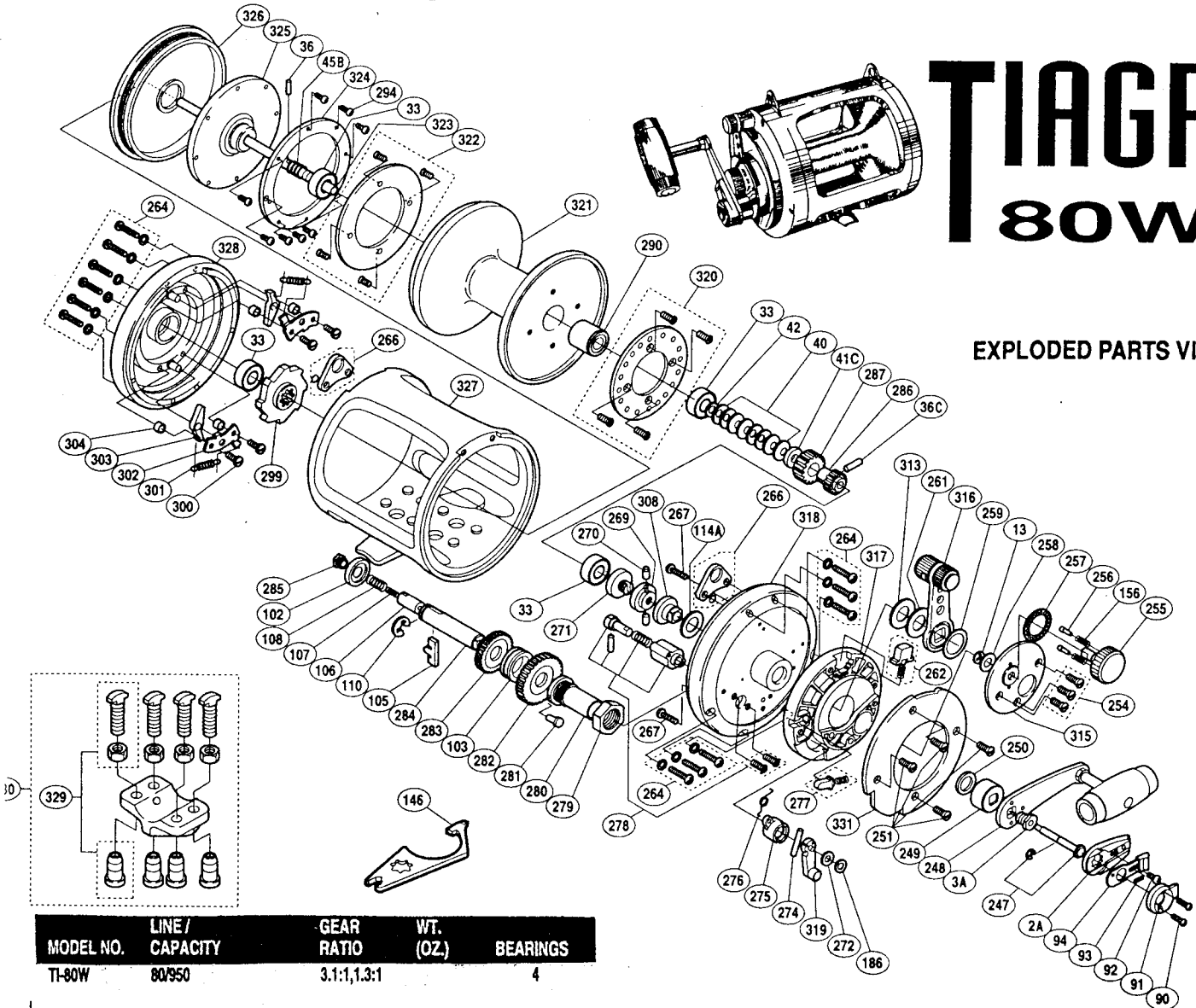


# TIAGRA 80W

EXPLODED PARTS VIEW



MODEL NO.	LINE / CAPACITY	GEAR RATIO	WT. (OZ.)	BEARINGS
TI-80W	80/950	3.1:1,1.3:1	4	4

**TIAGRA™  
Big Game Reels**

High Tech -----  
High Class

- Strong, Lightweight One Piece Body
- 4 Shielded Stainless Steel Ball Bearings
- Die-cast Aluminum Spool

There are times when a new technology will cause the rules of the game to be rewritten. The jet engine, the semi-conductor, and composite materials are just a few examples. Though the impact isn't quite on the same scale, the new Tiagra is about to rewrite the rules of big game fishing.

The overriding rule of big game fishing is that these tough animals are capable of fighting for hours, repeatedly making long runs that can heat up a drag. This heat causes the drag setting to change, making the chances of landing a fish slimmer. The new Shimano® Hydrothermal™ Drag System rewrites the rule on heat as it automatically compensates for heat to keep the original drag setting intact. What's more is that the Tiagra's pre-lubricated graphite drag washer's operation is impervious to saltwater and starts smoothly.

Another major rule of big game fishing is that between a 400 lb. marlin pulling on one end, and the leverage created by an angler in a fighting chair on the other, a lot of force is placed on the tackle. That is why Tiagra's one-piece frame is machine cut right out of a solid aluminum tube. It's also why Tiagra has 4 shielded stainless steel ball bearings, heavy duty stainless steel gears, and a two speed shifting mechanism where the pinion and drive gears are continuously engaged.

A more subtle rule of this sport is that it should be done with class. The Tiagra™ certainly does that. The large handle knob is counterweighted so that it always rests in an easy to grab vertical position. The unique preset knob has detents with approximately 1/2 pound increments for easy adjustment. At 89 decibels the super loud clicker is the loudest found on any production reel. The rod clamp assembly has been made easy to remove. There is no longer a need to remove the line to remove this assembly, making storage much easier. Finally, custom appearance I.G.F.A. Tiagra™ trolling rods are available to complete your trolling needs (see rod section).