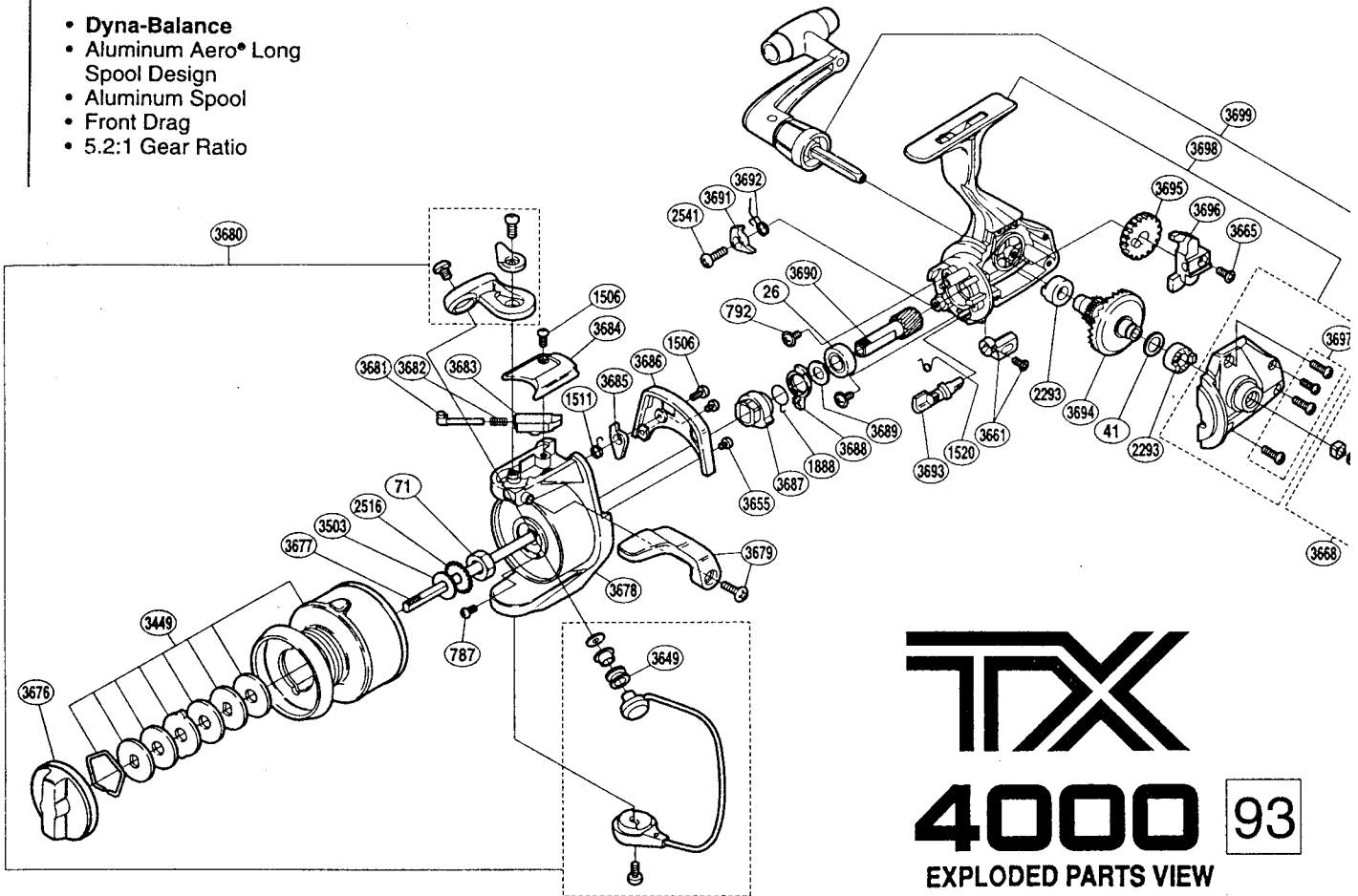


TX Spinning Reels

Wow!

- Dyna-Balance
- Aluminum Aero® Long Spool Design
- Aluminum Spool
- Front Drag
- 5.2:1 Gear Ratio



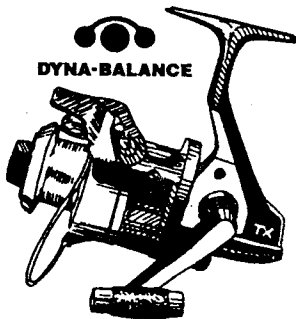
TX

4000

93

EXPLODED PARTS VIEW

MODEL NO.	LINE / CAPACITY	GEAR RATIO	WT. (OZ.)	BEARING
TX-4000F	8/240,10/200,12/160	5.2:1	11.9	1



Sometimes something just seems to be too good to be true. This is certainly the case with the TX. TX is our lowest priced DynaBalance™ reel. As if this alone were not enough, TX is also built with a die-cast aluminum spool, one stainless steel ball bearing, QuickFire II® self-centering bail, the No-Fail Bail® spring, an oversized line guide roller, and a smooth oil impregnated felt front drag. The TX is a dream come true. Never before has such a fine piece of equipment been available at such an incredible price!

TX-4000F

PART #	DESCRIPTION	"A" INTERCHANGEABILITY	"B" INTERCHANGEABILITY
RD 0026	Ball Bearing	BNT0807, BR 0037, KXB0028, MLX0025, TGT0223, TLD0123, TT 0117	
RD 0041	Drive Gear Washer	BR 0049, RD 1524, MLX0040, X/Z0150	
RD 0071	Rotor Nut	BR 0010, KXB0073, MLX0096	
RD 0787	Nut Lock Screw	BNT0696, BR 0278	RD 1111
RD 0792	Bearing Retainer Screw	BR 0035	RD 0358, TGT0005
RD 1506	Multi Purpose Screw	BR 0470, BR 0539	BNT0689, BR 0066, MCF0021, TGT0068, TLD0056, TT 0187, RD 0540, RD 3088
RD 1511	Lever Spring		
RD 1520	Anti-Reverse Cam Spring		
RD 1888	Anti-Reverse Lock Out Spring		
RD 2293	Drive Gear Bushing		
RD 2516	Spool Support		
RD 2541	Anti-Reverse Pawl Screw		
RD 3449	Spool Assembly		RD 3930
RD 3503	Spool Washer		
RD 3649	Line Roller		
RD 3655	Cover Screw		RD 3402
RD 3661	Anti-Reverse Lever Assembly		
RD 3665	Slider Retainer Screw		
RD 3668	Handle Screw Cap Assembly		RD 3406
RD 3676	Drag Knob		RD 3414, RD 3501
RD 3677	Main Shaft		
RD 3678	Rotor		RD 3710, RD 3731
RD 3679	Quick-Fire II Trigger Assembly		RD 3416
RD 3680	Bail Assembly		RD 3711
RD 3681	Bail Spring Guide (A)		
RD 3682	Bail Spring		
RD 3783	Bail Spring Guide (B)		
RD 3684	Bail Spring Cover		RD 3712, RD 3734
RD 3685	Bail Trip Lever		
RD 3686	Counterbalance Cover		RD 3713, RD 3735
RD 3687	Anti-Reverse Ratchet		
RD 3688	Anti-Reverse Lock Out		
RD 3689	Bushing Washer		
RD 3690	Pinion Gear		
RD 3691	Anti-Reverse Pawl		
RD 3692	Anti-Reverse Pawl Spring		
RD 3693	Anti-Reverse Cam		
RD 3694	Drive Gear		
RD 3695	Oscillating Gear		
RD 3696	Oscillating Slider		
RD 3697	Side Cover Screw		RD 3714, RD 3736, RD 3770, RD 3795, RD 3876
RD 3698	Body Assembly		
RD 3699	Handle Assembly		