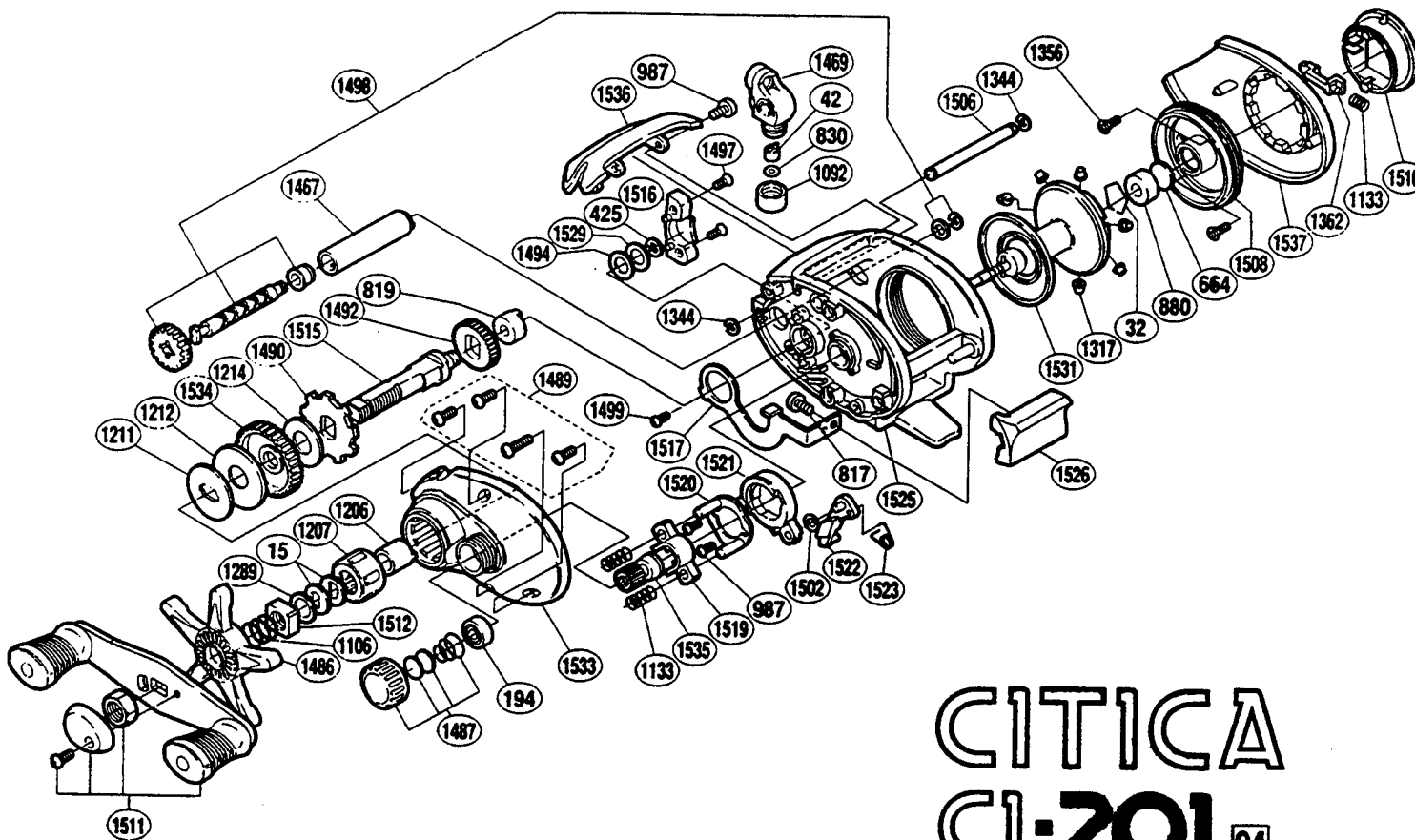


SHIMANO®

1994 REPAIR MANUAL

Shimano American Corporation, One Shimano Dr.
Irvine, CA 92718



CITICA

CI-201 94

CI201B

| PART # | DESCRIPTION | PART # | DESCRIPTION | PART # | DESCRIPTION |
|---------|--------------------------|---------|---------------------------|---------|--------------------------|
| BNT0015 | Drag Spring Washer | BNT1317 | Brake Collar (red) | BNT1511 | Handle Assembly |
| BNT0032 | Bearing Retainer | BNT1344 | "C" Lock | BNT1512 | Star Drag Nut |
| BNT0042 | Line Guide Pawl | BNT1356 | Brake Case Retainer Screw | BNT1515 | Drive Shaft |
| BNT0194 | Ball Bearing | BNT1362 | Turnkey Pawl | BNT1516 | Drive Shaft Cover |
| BNT0425 | Drive Shaft Lock | BNT1467 | Level Wind Guard | BNT1517 | Clutch Plate |
| BNT0664 | Spacer (B) | BNT1469 | Line Guide | BNT1519 | Yoke |
| BNT0817 | Multi Purpose Screw | BNT1486 | Star Drag | BNT1520 | Clutch Cam Retainer |
| BNT0819 | Drive Shaft Bushing | BNT1487 | Cast Control Cap Assembly | BNT1521 | Clutch Cam |
| BNT0830 | Spacer (optional) | BNT1489 | Side Plate Screws | BNT1522 | Clutch Pawl |
| BNT0880 | Spool Shaft Bushing | BNT1490 | Anti-Reverse Ratchet | BNT1523 | Clutch Pawl Spring |
| BNT0987 | Multi Purpose Screw | BNT1492 | Idle Gear | BNT1525 | One-Piece Frame |
| BNT1092 | Pawl Cap | BNT1494 | Drive Shaft Washer (B) | BNT1526 | Quick-Fire II Clutch Bar |
| BNT1106 | Star Drag Spring | BNT1497 | Drive Shaft Cover Screw | BNT1529 | Drive Shaft Washer (A) |
| BNT1133 | Yoke/Turnkey Pawl Spring | BNT1498 | Worm Shaft Assembly | BNT1531 | Spool Assembly |
| BNT1206 | Roller Clutch Inner Tube | BNT1499 | Clutch Plate Screw | BNT1533 | Left Side Plate |
| BNT1207 | Roller Clutch Bearing | BNT1502 | Spacer (optional) | BNT1534 | Drive Gear |
| BNT1211 | Key Washer | BNT1506 | Line Guard | BNT1535 | Pinion Gear |
| BNT1212 | Drag Washer (C) | BNT1508 | Brake Case | BNT1536 | Thumb Rest |
| BNT1214 | Drag Washer (A) | BNT1510 | Turnkey Dial | BNT1537 | Right Side Plate |
| BNT1289 | Star Drag Spacer | | | | |