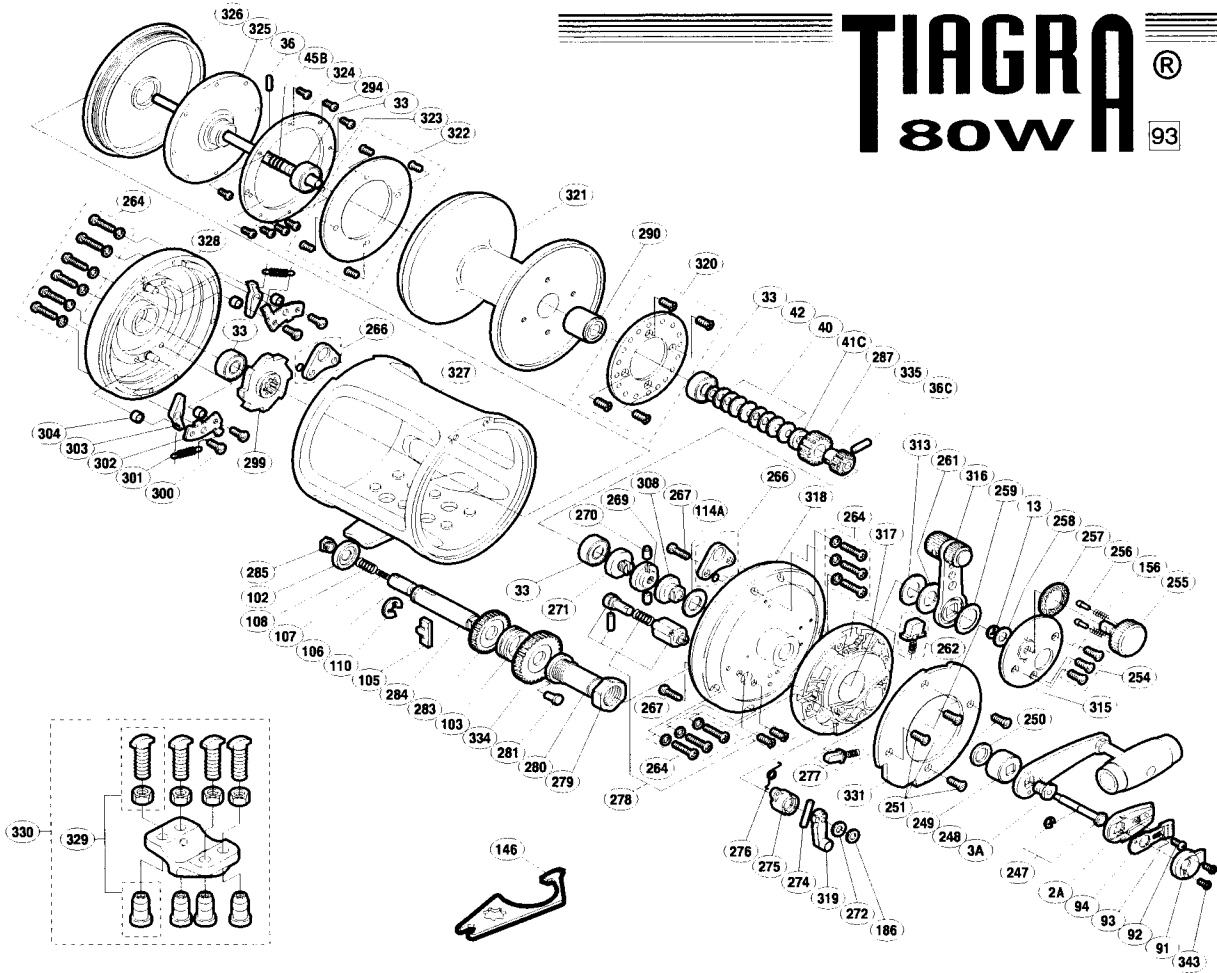


TIAGRA® 80WA 93



Part No.	Description	Part No.	Description	Part No.	Description
TT 0002A	Handle Bolt Plate	TT 0255	Pre-Program Dial	TT 0301	Dog Spring
TT 0003A	Handle Bolt	TT 0256	Dial Click Shoe	TT 0302	Set Plate
TT 0013	iCi Lock	TT 0257	Dial Click	TT 0303	Dog
TT 0033	Ball Bearing	TT 0258	Dial Washer	TT 0304	Set Plate Support
TT 0036	Cross Pin (A)	TT 0259	Lever Thrust Ring (A)	TT 0308	Lever Shaft Body
TT 0036C	Cross Pin (B)	TT 0261	Lever Thrust Ring (B-1)	TT 0313	Lever Thrust Ring (B-2)
TT 0040	Pre-Load Spring	TT 0262	Strike Stop	TT 0315	Lever Hub Cover
TT 0041C	Pre-Load Washer	TT 0264	Side Plate Screws	TT 0316	Drag Control Lever
TT 0042	Bearing Thrust Washer	TT 0266	Harness Lugs	TT 0317	Right Side Plate (B)
TT 0045B	Pressure Plate Spring	TT 0267	Right Side Plate (B) Screw	TT 0318	Right Side Plate (A)
TT 0091	Push Button Shield	TT 0269	Pre-Program Key	TT 0319	Strike Alert Lever
TT 0092	Handle Bolt Plate Screw	TT 0270	Pre-Program Key Pin	TT 0320	Alert Ratchet
TT 0093	Slide Plate Spring	TT 0271	Pre-Program Screw	TT 0321	Spool
TT 0094	Slide Plate	TT 0272	Spacer (A)	TT 0322	Drag Plate
TT 0102	Friction Washer (A)	TT 0274	Plunger Cross Pin (B)	TT 0323	Main Shaft
TT 0103	Friction Washer (B)	TT 0275	Plunger Cross Pin Support	TT 0324	Drag Washer
TT 0105	Gear Select Cross Bar	TT 0276	Cross Pin Support Spring	TT 0325	Pressure Plate
TT 0106	Cross Bar Stop	TT 0277	Free Spool Detent	TT 0326	Cooling Shield
TT 0107	Drive Shaft Spring iBi	TT 0278	Alert Plunger Assembly	TT 0327	One-Piece Frame
TT 0108	Drive Shaft Spring	TT 0279	Holder Nut	TT 0328	Left Side Plate
TT 0110	iEi Lock	TT 0280	Drive Shaft Holder	TT 0331	Lever Quadrant
TT 0114A	Lever Shaft Body Washer	TT 0281	Lock Pin	TT 0334	Drive Gear (A)
TT 0156	Friction Shoe Spring	TT 0283	Drive Gear (B)	TT 0335	Pinion Gear (A)
TT 0186	Spacer (B)	TT 0284	Drive Shaft	TT 0343	Push Button Shield Screw
TT 0247	Push "Low" Button Shaft	TT 0285	Drive Shaft Screw		
TT 0248	Handle Assembly	TT 0287	Pinion Gear (B)	TT 0329	Rod Clamp Bolt/Nuts
TT 0249	Drive Shaft Shield	TT 0290	Piston Assembly	TT 0330	Rod Clamp Assembly
TT 0250	Drive Shaft Washer	TT 0294	Drag Washer Screws		
TT 0251	Quadrant Anchor Bolts	TT 0299	Anti-Reverse Ratchet		
TT 0254	Cover Screws	TT 0300	Set Plate Screw	TT 0146	Wrench